

MAKING MODERN LIVING POSSIBLE



Core Industrial Products

for Distributors and Wholesalers

Fluid control, pressure and temperature monitoring and control



contents

Fluid controls

Solenoid valves. Thermostatic valves. Angle seat valves

Pages 6-69

Pressure transmitters

Pages 70-103

Temperature sensors

Pages 104-121

Switches

Pressure switches. Temperature switches

Pages 122-163

Content

page

EV310A direct-operated 3/2-way compact solenoid valves	14
EV210A direct-operated 2/2-way compact solenoid valves	16
EV220A servo-operated 2/2-way solenoid valves	18
EV310B direct-operated 3/2-way solenoid valves	22
EV210B direct-operated 2/2-way solenoid valves	25
EV220B 6-22 servo-operated 2/2-way solenoid valves	30
EV220B 15-50 servo-operated 2/2-way solenoid valves	35
EV220B 65-100 servo-operated 2/2-way solenoid valves	42
EV250B assisted lift 2/2-way solenoid valves	46
EV224B servo-operated 2/2-way solenoid valves for high pressure air	50
EV225B servo-operated 2/2-way solenoid valves for steam	53
EV260B servo-operated 2-way proportional solenoid valves	56
AVTA thermostatic valves for industrial cooling applications	60
BVTS thermostatic valve for bio-mass boilers	65
AV210 angle seat valves	67
MBS 3000 compact pressure transmitter	76
MBS 3050 compact pressure transmitters with pulse snubber	78
MBS 3200 compact pressure transmitters	80
MBS 3250 compact pressure transmitters with pulse-snubber	82
MBS 3100 compact pressure transmitter	84
MBS 3150 compact pressure transmitter with pulse-snubber	87
MBS 1900, OEM pressure transmitter for compressed air and water pump applications	89
MBS 1200/1250 OEM pressure transmitters for use in severe hydraulic applications	91
MBS 1300/1350 OEM electronic pressure switch with dual output for severe hydraulic applications	92
MBS 5100 pressure transmitter	94

MBS 5150 pressure transmitters with pulse-snubber	97
MBS 4510 flush diaphragm pressure transmitter	100
EMP 2 pressure transmitters	102
MBT 3260 temperature sensors with fixed insert	108
MBT 3270 temperature sensors	109
MBT 3560 temperature sensors with built-in transmitter	110
MBT 153 cable-type temperature sensors	112
MBT 5250 temperature sensor	114
MBT 5252 temperature sensors	116
MBT5113 Temperature sensor	118
MBT5116 Temperature sensors	120
RT pressure switches	127
BCP pressure controller / pressure limiter	132
KPS heavy-duty pressure switches	134
CAS heavy-duty pressure switches	136
KPI pressure switches for light industry	139
KP pressure switches for light industry	141
CS pressure switches for air and water	145
MBC 5100 block-type compact pressure switches	147
MBV 5000 pressure test valve	149
RT temperature switches	152
KPS temperature switches	155
KP temperature switches	158
MBC 8100 block-type compact temperature switches for marine applications	162
Code number index.....	164

Danfoss Industrial Automation core products

Fluid controls

Solenoid valves: Direct, servo, assisted lift and proportional operated valves for water, air, oil and steam application. Differential pressure from 0 to 40 bar and connections from G1/8 to 4" flange. Thermostatic valves for cooling applications, biomass boilers, fireplaces and solar systems. Regulation ranges from 0-90°C and connections from G3/8 to 4" flange.

Angle seat valves for demanding industrial applications. Differential pressure from 0 to 16 bar and connections from G3/8 to G2.

Direct operated valve
for closed and drain
systems



Assisted lift operated
valve for closed and
drain systems



Servo operated valve
for open systems



Valve for steam
applications



Thermostatic valve



Angle seat valve
for demanding
applications



Pressure transmitters

Pressure transmitters for industrial and marine applications. Design in cartridge, block and box with measuring range up to 600 bar. Output signal 4-20 mA, 0-10 V, ratiometric etc. with an accuracy from 0,1% FS. Versions with marine and ATEX approvals.

Pressure transmitter in
cartridge design
for industrial applications



Pressure transmitter with flush
diaphragm for demanding
industrial applications



Pressure transmitter in
block design for industrial
and marine applications



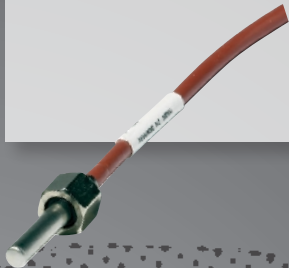
Pressure transmitter in
box design for marine
applications



Temperature sensors

Temperature transmitters for industrial and marine applications with measuring range from -50°C to 800°C. Sensor type Pt100, Pt1000, PTC, NTC, integrated transmitter etc in different designs for example DIN 43650, DIN B, cable etc. Versions with marine and ATEX approvals.

Temperature transmitter in a cable version



Flexible temperature transmitter with different sensing elements and electrical connections



Temperature transmitter equipped with a DIN 43650 for industrial applications



Temperature transmitter equipped with a DIN B (B-head) for industrial and marine applications



Switches

Pressure and temperature switches (on-off) for industrial and marine applications from -60°C to 300°C or -1 to 400 bar. Degree of enclosure from IP33-67 in different designs, versions with marine, TÜV and ATEX approvals.

Pressure switch for industrial applications (enclosure degree from IP 33 to IP 55)



Pressure switch for boiler control



Temperature switch for industrial applications (enclosure degree from IP 54 to IP 65)



Pressure switch for industrial and marine applications in block design



Temperature switch for marine applications (enclosure degree IP 67)



The main industries for these products are

Marine



Mobile hydraulics



Air compressors



Wind turbines



Industrial hydraulics



Heating equipment



Industrial water



Fluid control

With Danfoss valves you gain high quality, balanced with cost efficiency, making them the first choice in a many industrial applications.

Our valves are virtually maintenance free and designed to provide reliable service, year after year.

Three ways of efficiently controlling fluids:

Solenoid valves are an easy way to control and regulate fluids and gasses. Our programme consists of direct-operated, servo-operated and assisted lift versions. Solenoid valves are the right choice when you have media with limited dirt content and small to high flow volume.

Our solenoid valve programme consists of two ranges:

- The compact A range
 - offering small physical dimensions for control of flow where space is limited.
- The high performance B range
 - a sturdy and universal broad programme for control of flow in industrial applications and within heating and sanitary systems.

Pneumatically activated angle seat valves are designed for specialised and demanding applications. These robust valves are the right choice for media with high dirt content, high viscosity, high ambient and media temperatures and large flow volumes. They are also suitable for humid environments, explosion hazard environments and for applications with low or unknown pressure conditions.

Thermostatic self-acting valves are a simple and reliable way to control the temperature of cooling equipment. They do not require electricity and they are insensitive to dirt and media pressure, making them a highly robust choice.



Example: waterbooster systems



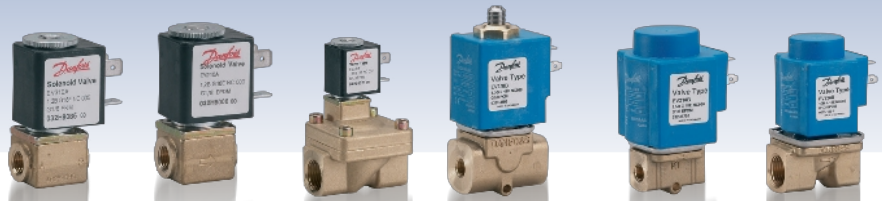
An EV250B solenoid valve, a great all-round valve, is the preferred choice for many manufacturers in applications with low differential pressures, such as heating systems. Its design not only allows for a wide pressure range, it also reduces noise and increases the lifetime of the system through avoidance of water hammer.

Other applications

- Booster pump units
- Membrane filtration units
- Fire-fighting pumping stations and equipment
- Biomass boilers
- Irrigation system
- Ultra and high purity water
- Catering water
- Desalination of saline water
- Water leak protection
- Car wash
- Dentist equipment
- Wind turbines
- Steam boilers
- Steam generators
- Laundry system
- Burners
- Cleaning units
- Dishwashing
- Degassing system
- Sterilizers and autoclaves
- Lubricated screw compressors
- Oil free compressors
- Drainage
- Pool control
- Solar
- Showers
- Saunas
- Sprinklers
- Petrol dispensers
- Heavy duty application (EEx approvals)

Solenoid valves

in this catalogue



Type	EV310A 3/2-way	EV210A 2/2-way	EV220A 2/2-way	EV310B 3/2-way	EV210B 2/2-way	EV220B 6-22 2/2-way	
Media	Water						
	Air and neutral gasses						
	Oil						
	Steam						
Characteristics	Dirty media				✓	✓	
	Long lifetime				✓	✓	
	Soft closing (Low waterhammer)			✓		✓	
	System suitability						
	Connection	G 1/8 - G 1/4, flange 32 mm	G 1/8 - G 1/4, flange 32 mm	G 1/4 - G 2	G 1/8 - G 3/8, flange 32 mm	G 1/8 - G 1	G 1/4 - G 1
	Function	NC or NO	NC or NO	NC or NO	NC or NO	NC or NO	NC or NO
	Orifice size mm	1.2 - 2	1.2 - 3.5	6 - 50	1.5 - 3.5	1.5 - 25	6 - 22
	Pressure range, bar	0 - 20	0 - 30	0.2 - 16	0 - 20	0 - 30	0.1 - 30
	Medium temperature max.	100°C	120°C	100°C	100°C	140°C	100°C
	Kv value m ³ /h	0.04 - 0.08	0.04 - 0.26	1 - 32	0.08 - 0.4	0.08 - 8	0.7 - 6
	Special features	Manual override option			Manual override option	Isolating diaphragm	
	Approvals*	WRAS		WRAS and VA	GL	GL, WRAS, VA and DNV	WRAS, VA and DNV
Material	Valve body	Brass or stainless steel	Brass	Brass	Brass or stainless steel	Brass or stainless steel	Brass or DZR brass
	Internal	Stainless steel	Stainless steel	Stainless steel	Stainless steel	Stainless steel	Stainless steel
	Seal material	FKM	EPDM or FKM	EPDM, NBR or FKM	FKM	EPDM or FKM	EPDM or FKM

* Only EPDM versions in Normally Closed (NC) valves are WRAS approved. GL = Germanischer Lloyd. WRAS = Water Regulations Advisory Scheme. VA = Water supply and drainage of ETA Denmark.



EV220B 15-50 2/2-way	EV220B 65-100 2/2-way	EV250B 2/2-way	EV224B 2/2-way	EV225B 2/2-way	EV260B 2-way proportional	AVTA 2-way proportional	BVTs 2-way proportional	AV210
✓	✓	✓	✓	✓	✓	✓	✓	✓
✓	✓	✓	✓	✓	✓	✓	✓	✓
✓	✓		✓		✓			
→ Open	→ Open	↻ Closed and drain	→ Open	→ Open	→ Open	↻ Closed and drain	↻ Back-burning and overheat protection	↻ Closed and drain
G 1/2 - G 2	Flange connections: 2,5, 3 and 4"	G 3/8 - G 1	G1/2 - G 1	G 1/4 - G 1	G 1/4 - G 3/4	G 3/8 - G 1	G 3/4	G 3/8 - G 2
NC or NO	NC	NC or NO	NC or NO	NC	NC	Thermostatic	Thermostatic	NC or NO
15 - 50	65 - 100	10 - 22	15 - 25	6 - 25	6 - 20	10 - 25	18	15 - 50
0.3 - 16	0.25 - 10	0 - 10	0.3 - 40	0.2 - 10	0.5 - 10	0 - 10	0 - 10	0 - 16
140°C	90°C	140°C	60°C	185°C	80°C	130°C	110°C	180°C
4 - 40	50 - 130	2.5 - 7	4 - 11	0.3 - 6	0.8 - 5	1.4 - 5.5	2.6	4.5 - 74
			High pressure				Test function	Options: Manual override position indicator
GL, WRAS, VA and DNV		WRAS, VA	GL				TÜV	
Brass, DZR Brass or stainless steel	Cast iron	DZR Brass	Brass	DZR Brass	Brass	Brass or stainless steel	DZR brass	Gun metal or stainless steel
Stainless steel	Stainless steel	Stainless steel	Stainless steel	Stainless steel	Stainless steel	Brass or stainless steel	Stainless steel	Stainless steel
EPDM, FKM or NBR	EPDM or NBR	EPDM or FKM	NBR	PTFE and AFLAS	FKM and PTFE	EPDM or NBR	EPDM or NBR	PTFE

DNV = Det Norske Veritas. SVGW = Schweizerischer Verein des Gas- und Wasserfaches.

Media list for Danfoss Inc

Medium	Temperature/ Concentration		Material	
			Brass	DZR-brass Bronze RG5
Ammonia			-	-
Brine (Potassium formate; without oxygen, closed systems)	-20°		✓	✓✓
Butane	20°		✓✓	✓✓
Chloric acid HCl			-	-
Citric acid			-	-
CO2			✓✓	✓✓
Compressed air			✓✓	✓✓
De-ionized water	80°		-	✓✓
Fresh Water	100°		✓✓	✓✓
Glycol	80°	100 %	✓	✓✓
Methane	20°		✓✓	✓✓
NaOH	50°	40 %	-	✓
Natural Gas (dry)	40°		✓✓	✓✓
Nitrogen (Air)			✓✓	✓✓
Oil; Animal			✓✓	✓✓
Oil; Mineral			✓✓	✓✓
Oil; Vegetable			✓✓	✓✓
Oxygen			✓	✓✓
Ozone			✓	✓✓
Propane	20°		✓✓	✓✓
Salt water (sea water)	20°	2 %	-	✓
Steam	185°		-	✓✓
Sulphuric acid H2SO4			-	-
Water electrical conduction < 20 µ-siemens	60°		-	✓
Water electrical conduction > 500 µ-siemens	60°		✓✓	✓✓
Water electrical conduction between 20 and 500 µ-siemens	60°		✓	✓✓

✓✓ = Suitable
 ✓ = Suitable in most cases
 - = Not recommendable

Industrial Valves

Body material			Seal material			
Stainless Steel AISI 316 / EN 1.44xx	Stainless Steel AISI 430 / EN 1.41xx armature/spring steel quality	Cast Iron	EPDM	NBR	FKM	PTFE
✓✓	✓✓	-	✓✓	✓	-	✓✓
✓✓	✓✓	✓	✓✓	✓	-	✓✓
✓✓	✓✓	✓✓	-	✓✓	✓✓	✓✓
-	-	-	-	-	✓	✓✓
✓	-	-	✓✓	✓✓	✓✓	✓✓
✓✓	✓✓	✓✓	✓✓	✓✓	✓✓	✓✓
✓✓	✓✓	✓	-	✓✓	✓✓	✓✓
✓✓	✓✓	-	✓✓	✓✓	✓	✓✓
✓✓	✓✓	✓	✓✓	✓	✓	✓✓
✓✓	✓✓	✓	✓✓	✓	-	✓✓
✓✓	✓✓	✓✓	-	✓✓	✓✓	✓✓
✓✓	✓✓	-	✓✓	-	-	✓✓
✓✓	✓✓	✓✓	-	✓	✓✓	✓✓
✓✓	✓✓	✓✓	✓✓	✓✓	✓✓	✓✓
✓✓	✓✓	✓✓	-	✓	✓✓	✓✓
✓✓	✓✓	✓✓	-	✓	✓✓	✓✓
✓✓	✓✓	✓✓	-	✓	✓✓	✓✓
✓✓	✓✓	✓	✓✓	✓	✓✓	✓✓
✓✓	✓✓	✓	✓✓	-	✓	✓✓
✓✓	✓✓	✓	✓✓	-	-	✓
✓✓	✓✓	✓✓	-	✓✓	✓✓	✓✓
✓	-	-	✓✓	✓✓	✓	✓✓
✓✓	✓✓	-	-	-	-	✓✓
-	-	-	✓	-	✓	✓✓
✓✓	✓	-	✓✓	✓✓	✓	✓✓
✓✓	✓✓	✓	✓✓	✓✓	✓✓	✓✓
✓✓	✓✓	-	✓✓	✓✓	✓	✓✓

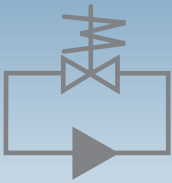
Use the icons to find the right valve

Use the icons to help select the right solenoid valve for your application. Displayed on the top right corner of the following pages, the icons symbolise values and applications for each solenoid valve type.

Application: Select the right valve based on the differential pressure of the system.

Closed or drain systems

In a closed-circuit system, there is no significant pressure difference between the inlets and outlets. For example, central heating systems are closed-circuit systems – as are tank systems where the drain is located at a low level in the tank.



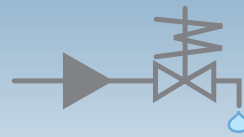
Closed system



Drain system

Open systems

In an open-circuit system, one side of the valve is connected at a relatively high pressure, while the other side is connected to lower fluid or air pressure - for example a tap.

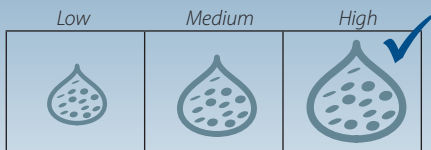


Open system

Value: The following icons indicate values for the different solenoid valves - select according to your needs.

Insensitive to dirt

A dirt-resistant valve is fitted with a coaxial, self-cleaning filter which protects the valve pilot. Valves controlled by a blue coil have a square armature which allows dirt particles to pass through easily.



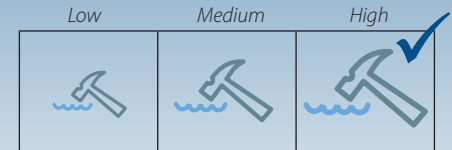
Long lifetime and high performance

A specially shaped and strengthened diaphragm reduces stress on the rubber, and prolongs valve lifetime. Coil lifetime is also extended, depending on the shape and IP class.



Effective water hammer damping / soft closing

The valve design helps control damping in the very late closing stage. To minimise water hammer, some valves have an optimised diaphragm assembly and equalising orifice. By changing the equalising orifice on the EV220B 15-50, you can also increase the closing time.

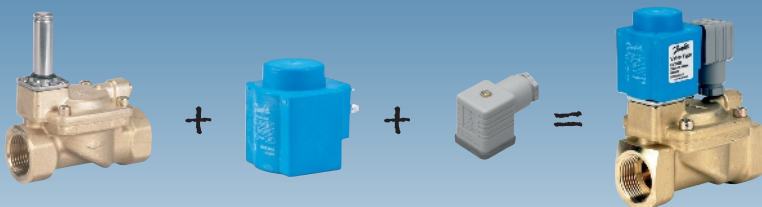


Results are based on comparisons between Danfoss valves only.

Complete valve or valve and coil separately

A complete solenoid valve consists of: Valve + coil + plug.

The valves can be delivered as separate parts - valve housing, coil and plug or as complete valves:

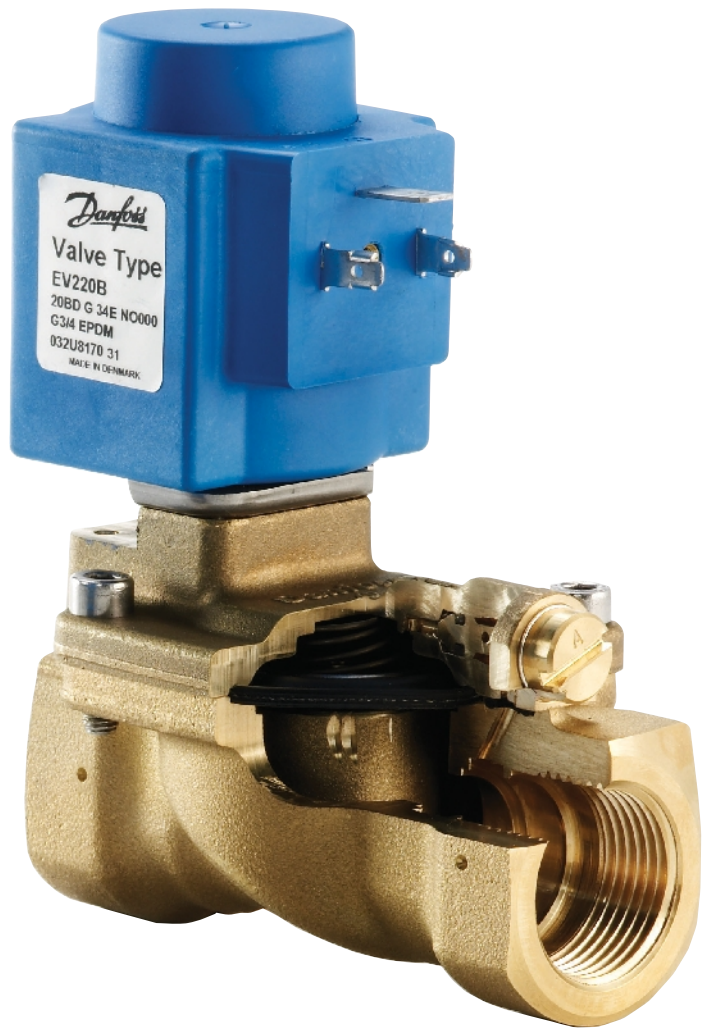
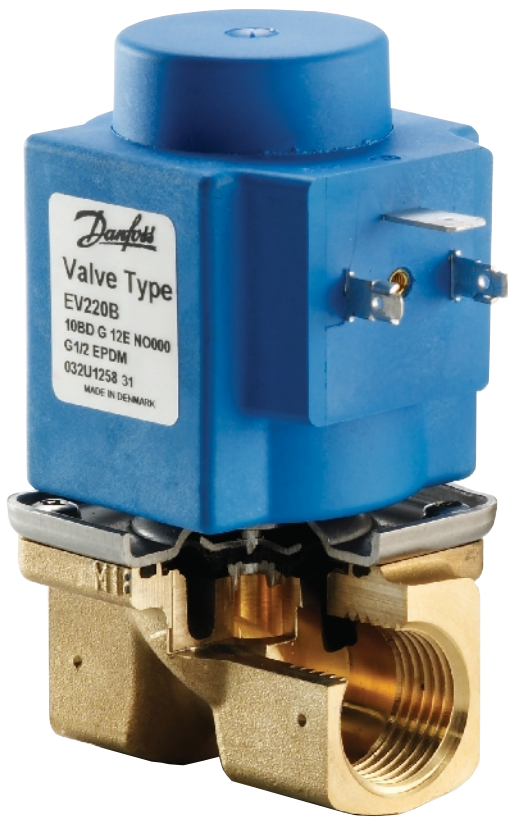


Valve housing

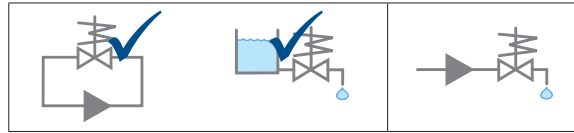
Coil

Plug

Complete valve



EV310A direct-operated 3/2-way compact solenoid valves



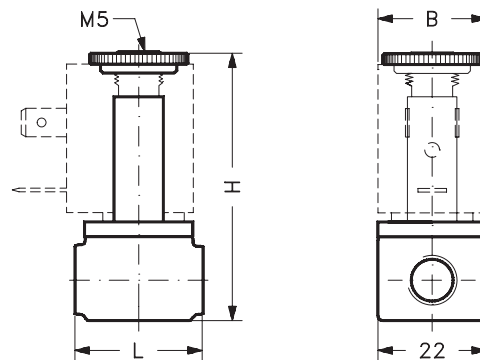
-			
-			
-			

EV310A covers a wide range of small competitive, direct-operated 3/2-way solenoid valves for use within industrial applications, for example pilot valve applications.

- 3/2-way
- Direct-operated

- DN 1.2 - DN2
- G 1/8" to G 1/4"
- Ambient temperature: +50°C
- Brass or stainless steel valve body
- NC (normally closed) and NO (normally open) versions

Dimensions and weight:



Thread ISO 228/1	L mm	B mm, Coil type		H mm	A mm	Weight without coil kg
		AB	AM			
G 1/8	26	22	33	54	13	0.085
G 1/4	35	22	33	59	17.5	0.110

Approvals: WRAS

EV310A direct-operated valve, brass, NC



Type	Connection	Kv m ³ /h	Media Oil / Air	Seal material	Differential pressure, bar		Code number
					AM coil, ac/dc Oil	AM coil, ac/dc Air	
EV310A 1.5	G 1/8	0.07	✓	FKM	0→5	0→12	032H8087
EV310A 2.0	G 1/8	0.08	✓	FKM	0→4	0→8	032H8089
EV310A 1.2	G 1/4	0.04	✓	FKM	0→9	0→20	032H8095
EV310A 1.5	G 1/4	0.07	✓	FKM	0→5	0→12	032H8097
EV310A 2.0	G 1/4	0.08	✓	FKM	0→4	0→8	032H8099

EV310A direct-operated valve, brass, NO



Type	Connection	Kv m ³ /h	Media Oil / Air	Seal material	Differential pressure, bar		Code number
					AM coil, ac/dc		
EV310A 1.2	G 1/8	0.04	✓	FKM	0→13/0→9		032H8125

Coils for EV310A



Voltage		Frequency Hz	Effect, watt AM coil	AM coil DIN 43650-A
V ac	V dc			
24		50/60	7.5	042N0842
110		50/60	7.5	042N0845
230		50/60	7.5	042N0840
240		50/60	7.5	042N0841
	12	-	9.5	042N0848
	24	-	9.5	042N0843

Cable plugs, IP 65 enclosure



To use with all AB and AM coils

042N0156



To use with AB and AM coils - 24 V ac and dc

042N0263

To use with AB and AM coils - 230 V ac

042N0265

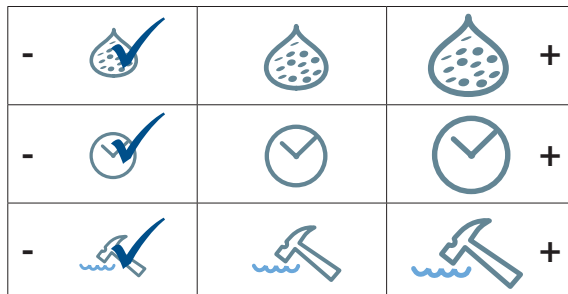
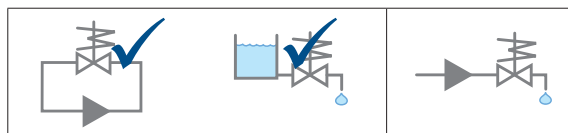
Accessories for EV310A

Electronic timers for coils for pulse start, for IP 65 only



Type	Description	Control voltage 50/60 Hz	Power cons. Max W	Ambient temp. °C	Code number
ET 20 M	External adjustable timing from 1 to 45 minutes with 1 to 15 seconds drain open. With manual override (test button) Electrical connection DIN 43650 A / EN 175 301-803-A	24 - 240	20.0	-10 → 50	042N0185

EV210A direct-operated 2/2-way compact solenoid valves

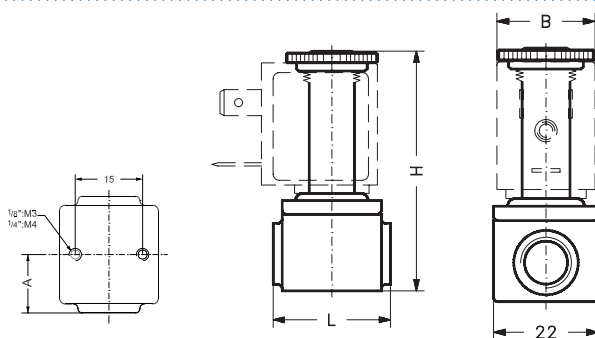


EV210A covers a wide range of small, direct-operated 2/2-way solenoid valves for use in industrial machinery. The compact design together with the broad range of coils means that EV210A covers a broad variety of industrial applications.

- 2/2-way
- Compact dimensions

- Direct-operated
- DN 1.2 - DN 3.5
- G 1/8 to G 1/4
- Ambient temperature: +50°C
- Brass or stainless steel valve body
- NC (normally closed) and NO (normally open) versions

Dimensions and weight:



Thread ISO 228/1	L mm	B mm		H mm	A mm	Weight without coil kg
		Coil type AB	Coil type AM			
G 1/8	26	22	33	54	13	0.085
G 1/4	35	22	33	59	17.5	0.110

EV210A direct operated valve, brass or stainless steel (SS), NC



Type	Connection	Kv m ³ /h	Media		Seal material	Body material		Differential pressure bar		Code number
			Water 120°C	Oil / Air		Brass	SS	AB coil ac/dc	AM coil ac/dc	
EV210A 1.2	G 1/8	0.04	✓		EPDM	✓		0→30/0→17.5	0→30/0→24	032H8000
EV210A 1.2	G 1/8	0.04		✓	FKM	✓		0→28/0→16	0→30/0→24	032H8001
EV210A 1.5	G 1/8	0.08	✓		EPDM	✓		0→18/0→9.5	0→28/0→22.5	032H8002
EV210A 1.5	G 1/8	0.08		✓	FKM	✓		0→15/0→8	0→26/0→19	032H8003
EV210A 1.5	G 1/8	0.08		✓	FKM		✓	0→15/0→8	0→26/0→19	032H8027
EV210A 2	G 1/8	0.11	✓		EPDM	✓		0→11/0→5.5	0→23/0→18.5	032H8004

EV210A direct operated valve, brass or stainless steel (SS), NC



Type	Connection	Kv m ³ /h	Media		Seal material	Body material		Differential pressure bar		Code number
			Water 120°C	Oil / Air		Brass	SS	AB coil ac/dc	AM coil ac/dc	
EV210A 2	G 1/8	0.11		✓	FKM	✓		0→9/0→5	0→22/0→17	032H8005
EV210A 2	G 1/8	0.11		✓	FKM		✓	0→9/0→5	0→22/0→17	032H8029
EV210A 2.5	G 1/8	0.17	✓		EPDM	✓		0→6/0→3	0→17/0→13	032H8006
EV210A 2.5	G 1/8	0.17		✓	FKM	✓		0→5/0→2.5	0→16/0→12	032H8007
EV210A 2.5	G 1/8	0.17		✓	FKM		✓	0→5/0→2.5	0→16/0→12	032H8031
EV210A 3	G 1/8	0.22	✓		EPDM	✓		0→4/0→1.5	0→13/0→9	032H8008
EV210A 3	G 1/8	0.22		✓	FKM	✓		0→3/0→1.5	0→12/0→8	032H8009
EV210A 3	G 1/8	0.22		✓	FKM		✓	0→3/0→1.5	0→12/0→8	032H8033
EV210A 2.5	G 1/4	0.17	✓		EPDM	✓		0→6/0→3	0→17/0→13	032H8014
EV210A 2.5	G 1/4	0.17		✓	FKM	✓		0→5/0→2.5	0→16/0→12	032H8015
EV210A 2.5	G 1/4	0.17		✓	FKM		✓	0→5/0→2.5	0→16/0→12	032H8039
EV210A 3	G 1/4	0.22	✓		EPDM	✓		0→4/0→1.5	0→13/0→9	032H8016
EV210A 3	G 1/4	0.22		✓	FKM	✓		0→3/0→1.5	0→12/0→8	032H8017
EV210A 3	G 1/4	0.22		✓	FKM		✓	0→3/0→1.5	0→12/0→8	032H8041
EV210A 3.5	G 1/4	0.26	✓		EPDM	✓		0→2.8/0→1.2	0→11/0→6	032H8018
EV210A 3.5	G 1/4	0.26		✓	FKM	✓		0→2/0→0.8	0→10/0→5.5	032H8019
EV210A 3.5	G 1/4	0.26		✓	FKM		✓	0→2/0→0.8	0→10/0→5.5	032H8043

Coils for EV210A



Voltage		Frequency Hz	Effect, watt		AB coil DIN 43650-B	AM coil DIN 43650-A
V ac	V dc		AB coil	AM coil		
24		50/60	4.5	7.5	042N0802	042N0842
110		50/60	4.5	7.5	042N0804	042N0845
230		50/60	4.5	7.5	042N0800	042N0840
240		50/60	4.5	7.5	042N0801	042N0841
	12	-	5	9.5	042N0806	042N0848
	24	-	5	9.5	042N0803	042N0843

Cable plugs, IP 65 enclosure

To use with all AB and AM coils



042N0139

042N0156

To use with AB and AM coils - 24 V ac and dc



042N0267

042N0263

To use with AB and AM coils - 230 V ac

042N0265

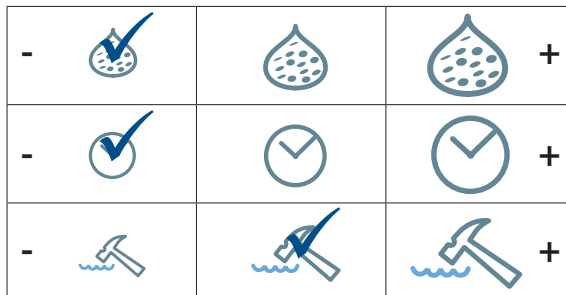
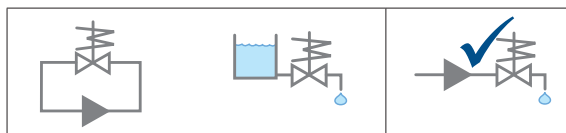
Accessories for EV210A

Electronic timers for coils for pulse start, IP 65 only

Type	Description	Control voltage 50/60 Hz	Power cons. Max W	Ambient temp. °C	Code number
ET 20 M	External adjustable timing from 1 to 45 minutes with 1 to 15 seconds drain open. With manual override (test button) Electrical connection DIN 43650 A / EN 175 301-803-A	24 - 240	20.0	-10 → 50	042N0185



EV220A servo-operated 2/2-way solenoid valves

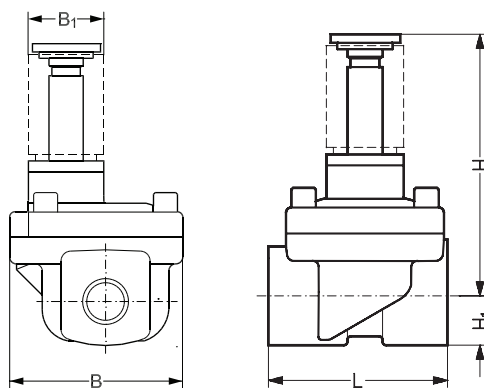


EV220A is a compact servo-operated 2/2-way solenoid valve program, especially designed for use in machines and equipment with limited space.

- 2/2-way
- Servo-operated
- DN 6 - DN50

- G 1/4" to G 2"
- Ambient temperature: +50°C
- Brass valve body
- NC (normally closed) and NO (normally open) versions
- ISO 228/1 or NPT thread connection

Dimensions and weight:



Type / orifice size	L mm	B mm	B ₁ mm coil type		H mm		H ₁ mm	Weight without coil kg
			AB	AM	NC	NO		
EV220A 6	51	50	22	33	76	80	13	0.46
EV220A 10	51	50	22	33	76	80	13	0.44
EV220A 12	58	58	22	33	77	81	13	0.52
EV220A 14	58	58	22	33	77	81	13	0.50
EV220A 18	90	58	22	33	78	82	18	0.72
EV220A 22	90	58	22	33	83	87	22	1
EV220A 32	120	82	22	33	95	-	27	2
EV220A 40	130	95	22	33	105	-	32	3.2
EV220A 50	162	113	22	33	111	-	37	4.3

Approvals: WRAS, VA

EV220A servo-operated 2/2-way solenoid valves, brass, NC



Type	Connection	Kv m ³ /h	Media			Seal material	Differential pressure bar	Code number
			Water 120°C	Water 90°C	Oil / Air			
EV220A 6	G 1/4	1	✓			EPDM	0.2 → 16	042U4001
EV220A 6	G 1/4	1		✓	✓	NBR	0.2 → 16	042U4003
EV220A 10	G 3/8	1.6	✓			EPDM	0.2 → 16	042U4011
EV220A 10	G 3/8	1.6		✓	✓	NBR	0.2 → 16	042U4013
EV220A 10	G 1/2	1.6	✓			EPDM	0.2 → 16	042U4012
EV220A 10	G 1/2	1.6		✓	✓	NBR	0.2 → 16	042U4014
EV220A 12	G 1/2	2.5		✓	✓	NBR	0.3 → 16	042U4023
EV220A 14	G 1/2	4	✓			EPDM	0.3 → 16	042U4022
EV220A 14	G 1/2	4		✓	✓	NBR	0.3 → 16	042U4024
EV220A 18	G 3/4	7	✓			EPDM	0.3 → 16	042U4031
EV220A 18	G 3/4	7		✓	✓	NBR	0.3 → 16	042U4032
EV220A 22	G 1	7	✓			EPDM	0.3 → 16	042U4041
EV220A 22	G 1	7		✓	✓	NBR	0.3 → 16	042U4042
EV220A 32	G 1 1/4	15	✓			EPDM	0.3 → 16	042U4085
EV220A 32	G 1 1/4	15		✓	✓	NBR	0.3 → 16	042U4084
EV220A 40	G 1 1/2	18	✓			EPDM	0.3 → 16	042U4087
EV220A 40	G 1 1/2	18		✓	✓	NBR	0.3 → 16	042U4086
EV220A 50	G 2	32	✓			EPDM	0.3 → 16	042U4089
EV220A 50	G 2	32		✓	✓	NBR	0.3 → 16	042U4088

EV220A servo-operated 2/2-way solenoid valves, brass, NO



Type	Connection	Kv m ³ /h	Media			Seal material	Differential pressure bar	Code number
			Water 120°C	Water 90°C	Oil / Air			
EV220A 6	G 1/4	1		✓	✓	NBR	0.2 → 16	042U4053
EV220A 10	G 3/8	1.6		✓	✓	NBR	0.2 → 16	042U4063
EV220A 14	G 1/2	4		✓	✓	NBR	0.3 → 16	042U4074
EV220A 18	G 3/4	7		✓	✓	NBR	0.3 → 16	042U4082
EV220A 22	G 1	7		✓	✓	NBR	0.3 → 16	042U4092

Coils for EV220A



Voltage		Frequency Hz	Effect, watt		AB coil		AM coil
V ac	V dc		AB coil	AM coil	DIN 43650-B	DIN 43650-A	
24		50/60	4.5	7.5	042N0802		042N0842
110		50/60	4.5	7.5	042N0804		042N0845
230		50/60	4.5	7.5	042N0800		042N0840
240		50/60	4.5	7.5	042N0801		042N0841
	12	-	5	9.5	042N0806		042N0848
	24	-	5	9.5	042N0803		042N0843

Cable plugs, IP 65 enclosure



To use with all AB and AM coils

042N0139

042N0156



To use with AB and AM coils - 24 V ac and dc

042N0267

042N0263

To use with AB and AM coils - 230 V ac

042N0265

Spare parts and accessories for EV220A



Spare part kits, NC

Application	Seal material	Code number
EV220A 6 - 10	EPDM	042U1000
EV220A 6 - 10	NBR	042U1001
EV220A 12-14	EPDM	042U1003
EV220A 12 - 14	NBR	042U1004
EV220A 18 - 22	EPDM	042U1006
EV220A 18 - 22	NBR	042U1007
EV220A 32	EPDM	042U1037
EV220A 32	NBR	042U1038
EV220A 40	EPDM	042U1039
EV220A 40	NBR	042U1040
EV220A 50	EPDM	042U1041
EV220A 50	NBR	042U1042

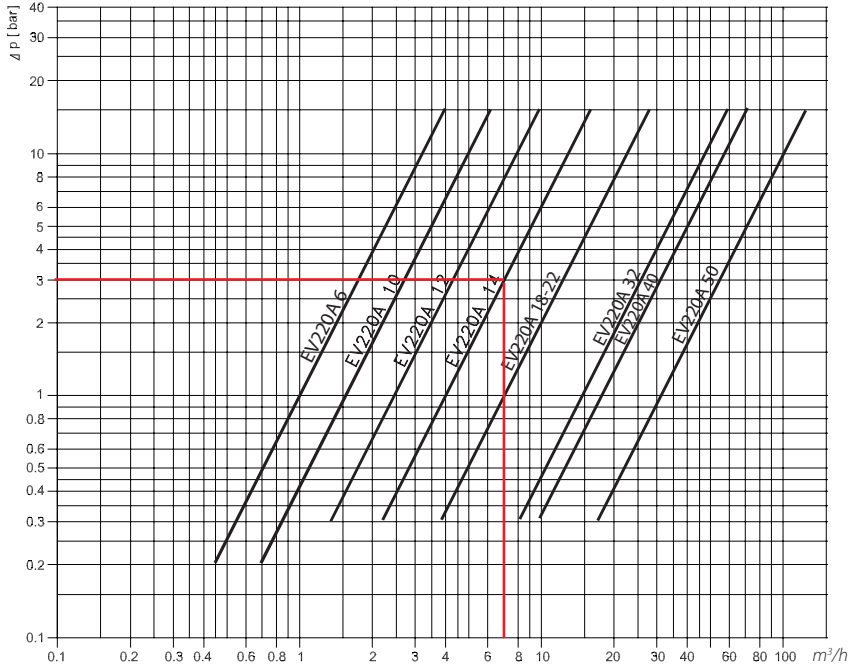
Electronic timers for coils for pulse start, only AM coil



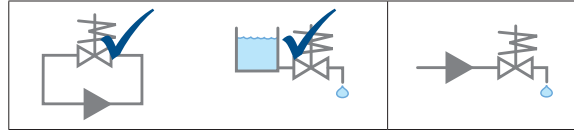
Type	Description	Control voltage 50/60 Hz	Power cons. Max W	Ambient temp. °C	Code number
ET 20 M	External adjustable timing from 1 to 45 minutes with 1 to 15 seconds drain open. With manual override (test button) Electrical connection DIN 43650 A / EN 175 301-803-A	24 - 240	20.0	-10 → 50	042N0185

Capacity diagram for EV220A

Example for water:
 Capacity for EV220A at differential
 pressure of 3 bar: Approx. 7 m³/h



EV310B direct-operated 3/2-way solenoid valves



-			
-			
-			

EV310B covers a wide range of direct-operated 3/2-way solenoid valves for universal use.

EV310B is a real robust valve program with high performance and can be used in all kind of tough working conditions.

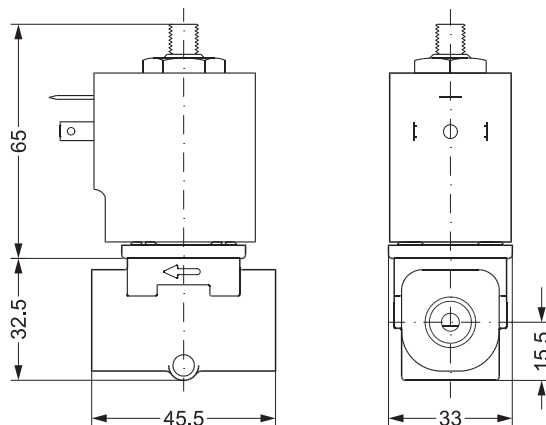
Clip-on coils can not be used on EV310B.

- 3/2-way
- Direct-operated

- DN 1.5 - DN 3.5
- Ambient temperature: +40°C
- Brass valve body
- Thread (G 1/8" to G 3/8") or flange (32x32 mm) connections
- NC (normally closed) and NO (normally open) versions
- Manual override versions

Dimensions and weight:

Weight without coil: 0.220 kg



All dimensions in millimetres

Approvals: GL

EV310B without coil, brass, NC



Type	Connection	Kv m ³ /h	Media Oil / Air	Seal material	Differential pressure bar	Code number
EV310B 2	G 1/8	0.15	✓	FKM	0 → 16	032U4901
EV310B 2	G 1/4	0.15	✓	FKM	0 → 16	032U4904

Media: EPDM: Water (120C), FKM: Oil and Air, NBR: Water (90C), Oil and Air

Coils for EV310B



Voltage		Frequency	Effect, watt BA coil	BA coil IP00
V ac	V dc	Hz		
24		50	9	042N7508
48		50	9	042N7510
115		50	9	042N7512
220 - 230		50	9	042N7501
240		50	9	042N7502
380 - 400		50	9	042N7504
	12	-	15	042N7550
	24	-	15	042N7551

Cable plug, IP 65 enclosure



To use with all BA coils	042N0156
To use with BA coils - 24 V ac+dc	042N0263
To use with BA coils - 230 V	042N0265

Accessories for EV310B

Electronic timers for coils for pulse start

Type	Description	Control voltage 50/60 Hz	Power cons. Max W	Ambient temp. °C	Code number
ET 20 M	External adjustable timing from 1 to 45 minutes with 1 to 15 seconds drain open. With manual override (test button) Electrical connection DIN 43650 A / EN 175 301-803-A	24 - 240	20.0	-10 → 50	042N0185



The EV210B solenoid valve for tough working conditions

The EV210B is designed to control the flow of water, oil or air in a wide range of applications.

1 Increased performance without increasing coil power

The EV210B's non-fixed valve plate doubles performance without increasing the coil power or reducing the valve's lifetime. When the coil is energised, the armature moves and accumulates energy, and when it hits the valve plate, the impact lifts the plate to increase performance.

2 Modular design for customised solutions

EV210B with direct actuator is extremely durable at high temperature and pressure. The valve has a modular design which is perfect for customised solutions.

3 Long life

Designed to last, the EV210B has a high wall thickness, a unique square-shaped armature and a specially designed spring. And because the spring movements are very close, wear is significantly reduced.

4 Insensitive to dirt

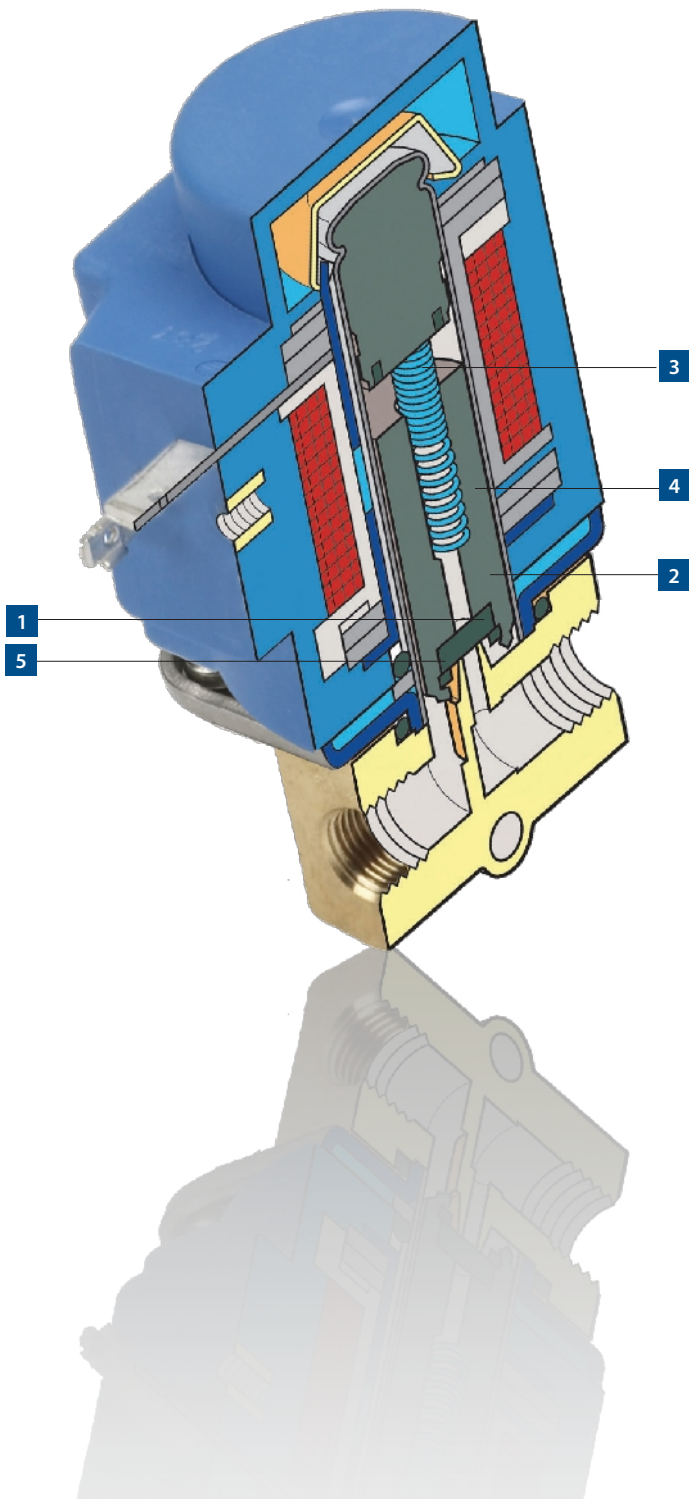
Due to the armature's unique design, there is a low risk of particles sticking to the armature. If particles become lodged between the armature and the armature tube or top, they will be displaced by the fluid when the armature moves.

5 Optimum Kv-values for many connections

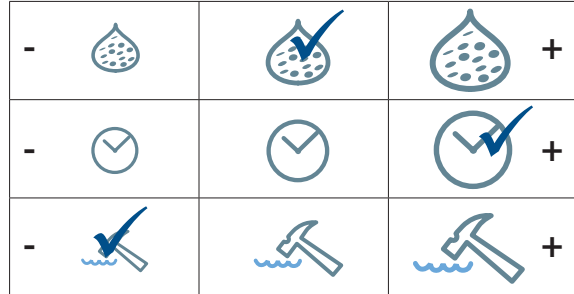
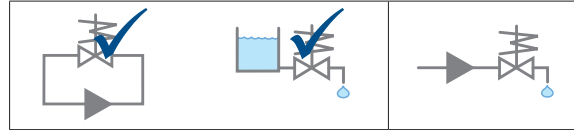
The optimum shape and diameter of the valve plate, as well as the valve plate lift ensure that the EV210B has high Kv-values (capacity).

Secure opening and closing

To prevent particles lodging in the armature, an isolating diaphragm is available for valves up to 4.5 mm.



EV210B direct-operated 2/2-way solenoid valves

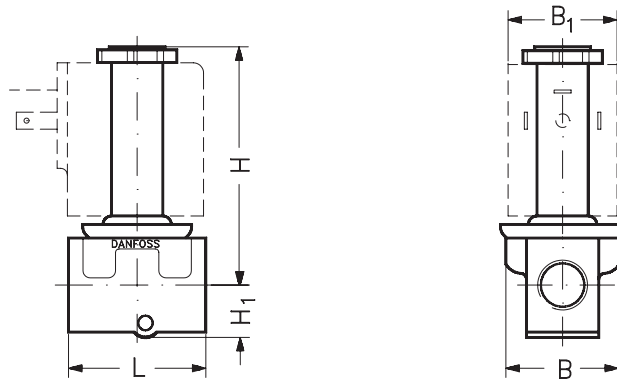


EV210B covers a wide range of direct-operated 2/2-way solenoid valves for universal use. EV210B is a real robust valve program with high performance and can be used in all kind of tough working conditions.

- 2/2-way
- High Performance series

- Direct-operated
- DN 1.5 - DN 25
- Brass or stainless steel valve body
- NC (normally closed) and NO (normally open) versions
- ISO 228/1 G 1/8" to G 1"
- UL listed version with NPT. for North America (EVI)

Dimensions and weight:



Type / orifice size	L mm	B mm	B ₁ mm Coil type		H ₁ mm	H mm	Weight without coil Kg
			BA	BB			
EV210B 1.5/2	35.0	34	32	46	12.0	70.0	0.15
EV210B 3/4.5	38.0	34	32	46	11.0	70.0	0.20
EV210B 6	45.5	34	32	46	15.5	72.5	0.22
EV210B 8/10	49.0	34	32	46	15.5	72.5	0.29
EV210B 15	58.0	53.0	32	46	12.5	92.5	0.45
EV210B 20	90.0	58.0	32	46	18.0	92.0	1.10
EV210B 25	90.0	58.0	32	46	23.0	96.0	1.10

Approvals: WRAS, VA, DNV, GL

EV210B direct operated valve with coil and plug IP65, brass, NC



Type	Connection	Kv m ³ /h	Media		Seal material	Differential pressure bar	Coil BB		Code number
			Oil / Air				V ac 50 Hz	V dc	
EV210B 1.5	G 1/8	0.08	✓		FKM	0 → 30		24	032U145802
EV210B 1.5	G 1/8	0.08	✓		FKM	0 → 30	24		032U145816
EV210B 1.5	G 1/8	0.08	✓		FKM	0 → 30	230		032U145831
EV210B 3	G 1/4	0.30	✓		FKM	0 → 13		24	032U147002
EV210B 3	G 1/4	0.30	✓		FKM	0 → 20	24		032U147016
EV210B 3	G 1/4	0.30	✓		FKM	0 → 20	230		032U147031
EV210B 4.5	G 3/8	0.55	✓		FKM	0 → 4.5		24	032U148002
EV210B 4.5	G 3/8	0.55	✓		FKM	0 → 10	24		032U148016
EV210B 4.5	G 3/8	0.55	✓		FKM	0 → 10	230		032U148031

EV210B direct operated valve, brass, NC



Type	Connection	Kv m ³ /h	Media			Seal material	Differential pressure, bar		Code number
			Water 120°C	Water 90°C	Oil / Air		BA coil ac/dc	BB/BE coil ac/dc	
EV210B 1.5	G 1/8	0.08	✓			EPDM	0→30/0→30	0→30/0→30	032U5701
EV210B 1.5	G 1/8	0.08			✓	FKM	0→30/0→30	0→30/0→30	032U5702
EV210B 1.5	G 1/8	0.08		✓	✓	NBR	0→30/0→30	0→30/0→30	032U1200
EV210B 1.5	G 1/4	0.08			✓	FKM	0→30/0→30	0→30/0→30	032U3629
EV210B 1.5	G 1/4	0.08		✓	✓	NBR	0→30/0→30	0→30/0→30	032U1205
EV210B 2	G 1/8	0.15			✓	FKM	0→30/0→20	0→30/0→30	032U5704
EV210B 2	G 1/4	0.15	✓			EPDM	0→30/0→20	0→30/0→30	032U5707
EV210B 2	G 1/4	0.15			✓	FKM	0→30/0→20	0→30/0→30	032U5708
EV210B 3	G 1/8	0.30			✓	FKM	0→15/0→9	0→20/0→13	032U5706
EV210B 3	G 1/8	0.30	✓			EPDM	0→15/0→9	0→20/0→13	032U5705
EV210B 3	G 1/4	0.30		✓	✓	NBR	0→15/0→9	0→20/0→13	032U1220
EV210B 3	G 1/4	0.30	✓			EPDM	0→15/0→9	0→20/0→13	032U5709
EV210B 3	G 1/4	0.30			✓	FKM	0→15/0→9	0→20/0→13	032U5710
EV210B 3	G 3/8	0.30	✓			EPDM	0→15/0→9	0→20/0→13	032U3642
EV210B 3	G 3/8	0.30		✓	✓	NBR	0→15/0→9	0→20/0→13	032U1225
EV210B 3	G 3/8	0.30			✓	FKM	0→15/0→9	0→20/0→13	032U3643
EV210B 4.5	G 1/4	0.55			✓	FKM	0→8/0→3.5	0→10/0→4.5	032U3601
EV210B 4.5	G 3/8	0.55	✓			EPDM	0→8/0→3.5	0→10/0→4.5	032U3605
EV210B 4.5	G 3/8	0.55			✓	FKM	0→8/0→3.5	0→10/0→4.5	032U3606
EV210B 6	G 3/8	0.70		✓	✓	NBR	0→2.5/0→1	0→4/0→2	032U1231
EV210B 6	G 3/8	0.70	✓			EPDM	0→2.5/0→1	0→4/0→2	032U3607
EV210B 6	G 3/8	0.70			✓	FKM	0→2.5/0→1	0→4/0→2	032U3608
EV210B 8	G 1/2	1.00	✓			EPDM	0→1.5/0→0.5	0→2/0→1.2	032U3615
EV210B 8	G 1/2	1.00			✓	FKM	0→1.5/0→0.5	0→2/0→1.2	032U3616
EV210B 10	G 1/2	1.50			✓	FKM	0→0.8/0→0.3	0→1.2/0→0.6	032U1230
EV210B 10	G 1/2	1.50	✓			EPDM	0→0.8/0→0.3	0→1.2/0→0.6	032U3617
EV210B 10	G 1/2	1.50			✓	FKM	0→0.8/0→0.3	0→1.2/0→0.6	032U3618

EV210B direct operated valve, DZR brass, NC



Type	Connection	Kv m ³ /h	Media		Seal material	Differential pressure, bar		Code number
			Water 120°C	Oil / Air		BA/BE coil ac/dc	BB coil ac/dc	
EV210B 15	G 1/2	2.85	✓		EPDM	0 → 0.25/ -	0 → 0.3/0 → 0.15	032U3619
EV210B 15	G 1/2	2.85		✓	FKM	0 → 0.25/ -	0 → 0.3/0 → 0.15	032U3620
EV210B 20	G 3/4	4.50	✓		EPDM	-	0 → 0.28/0 → 0.12	032U3621
EV210B 20	G 3/4	4.50		✓	FKM	-	0 → 0.28/0 → 0.12	032U3622
EV210B 25	G 1	8.00	✓		EPDM	-	0 → 0.25/0 → 0.09	032U3623
EV210B 25	G 1	8.00		✓	FKM	-	0 → 0.25/0 → 0.09	032U3624

EV210B direct operated valve, brass, NO



Type	Connection	Kv m ³ /h	Media		Seal material	Differential pressure, bar BA/BE/BB coil ac/dc	Code number
			Water 120°C	Oil / Air			
EV210B 1.5	G 1/8	0.08	✓		EPDM	0 → 30	032U3630
EV210B 1.5	G 1/8	0.08		✓	FKM	0 → 30	032U3631
EV210B 2.0	G 1/8	0.15	✓		EPDM	0 → 12	032U3632
EV210B 2.0	G 1/8	0.15		✓	FKM	0 → 12	032U3633
EV210B 3.0	G 1/8	0.30	✓		EPDM	0 → 5	032U3634
EV210B 3.0	G 1/8	0.30		✓	FKM	0 → 5	032U3635
EV210B 2.0	G 1/4	0.15	✓		EPDM	0 → 12	032U3636
EV210B 2.0	G 1/4	0.15		✓	FKM	0 → 12	032U3637
EV210B 3.0	G 1/4	0.30	✓		EPDM	0 → 5	032U3638
EV210B 3.0	G 1/4	0.30		✓	FKM	0 → 5	032U3639
EV210B 4.5	G 1/4	0.55	✓		EPDM	0 → 2	032U3640
EV210B 4.5	G 1/4	0.55		✓	FKM	0 → 2	032U3641

Coils for EV210B



Voltage		Frequency Hz	Effect, watt			BA coil IP00	BB coil IP 00 clip-on	BE coil IP 67 clip-on
V ac	V dc		BA coil	BB coil	BE coil			
24		50	9	10	10	042N7508	018F7358	018F6707
48		50	9		10	042N7510		018F6709
110		50		10			018F7360	
115		50	9	10	10	042N7512	018F7361	018F6711
220 - 230		50	9	10	10	042N7501	018F7351	018F6701
240		50	9	10	10	042N7502	018F7352	018F6702
380 - 400		50	9	10	10	042N7504	018F7353	018F6703
	12	-	15	18	18	042N7550	018F7396	018F6756
	24	-	15	18	18	042N7551	018F7397	018F6757

Cable plug, IP 65 enclosure

To use with all BA and BB coils



042N0156

042N0156



042N0263

042N0263

To use with BA and BB coils - 24 V ac+dc

To use with BA and BB coils - 230 V

042N0265

042N0265

No plug needed -
IP 67 terminal box
fitted as standard

Spare parts and accessories for EV210B

Isolating diaphragm kit, NC

Application	Seal material	Code number
EV210B 1.5 - 4.5	EPDM	042U1009
EV210B 1.5 - 4.5	FKM	042U1010



Permanent magnet

Application	Code number
Fits all EV220B valves	018F0091



Electronic timers for coils for pulse start

Type	Description	Control voltage 50/60 Hz	Power cons. Max W	Ambient temp. °C	Code number
ET 20 M	External adjustable timing from 1 to 45 minutes with 1 to 15 seconds drain open. With manual override (test button) Electrical connection DIN 43650 A / EN 175 301-803-A	24 - 240	20.0	-10 → 50	042N0185



The EV220B 6-22 for medium to large flow

The EV220B 6-22 is a high performance, robust valve programme.

1 Low water hammer

The softest closing valve on the market, the EV220B 6-22 has an optimised diaphragm shape, added reinforcement for internal damping, and a special damping cone to ensure viscous damping in the critical late closing stage.

2 Insensitive to dirt

The square armature design enables the armature to move freely and reduces the risk of dirt particles lodging in the armature. If particles do lodge between the armature and the armature tube walls, they are quickly displaced by the fluid when the valve is activated.

3 Broad range of body and sealing materials

The EV220B 6-22 is available in two body materials. The brass version is ideal for applications with a limited risk of corrosion. Tougher applications should use versions with dezincification resistant brass (DZR brass) bodies and stainless steel inserts.

The EV220B 6-22 is also available with two seal materials. Both the EPDM and FKM seals can cope with all common media and a wide temperature range, while the EPDM versions have water approvals.

4 Long lifetime

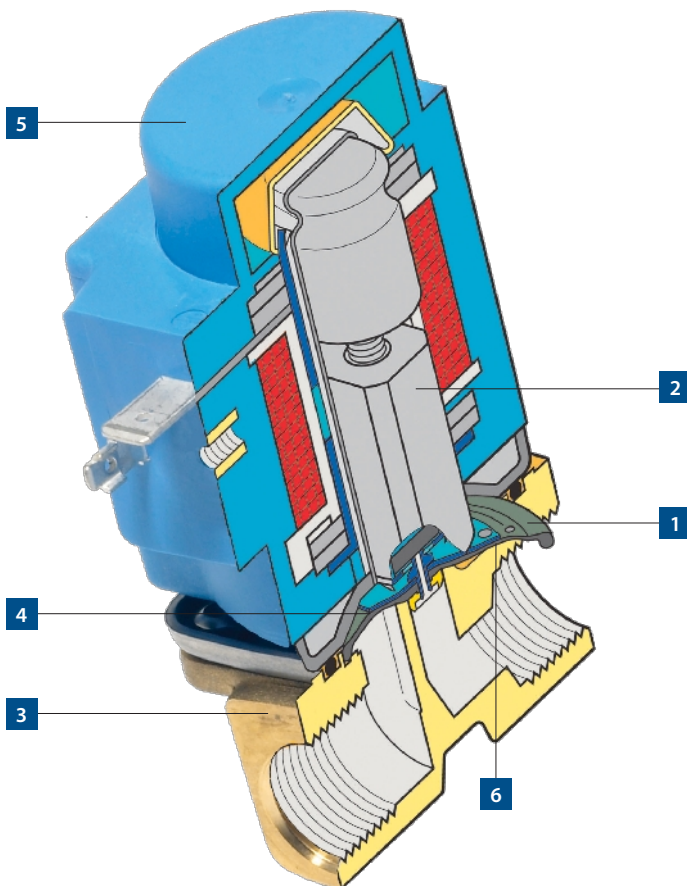
The moulded rubber diaphragm has a special profile that greatly reduces the effects of stress and maximises valve lifetime.

5 Wide coil range

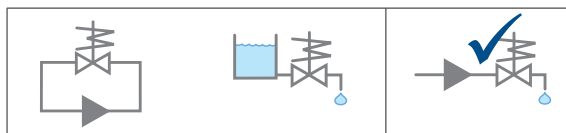
The valves use the standard B-range of coils from IP00 to IP67, including the clip-on system and specialty coils, making it easy to select a coil with the right features. And the special ATEX coil programme is ideal for hazardous environments.

6 High capacity across the entire pressure range

The optimised diaphragm shape gives a very high lift height, providing excellent capacity and tightness at any pressure.



EV220B 6-22 servo-operated 2/2-way solenoid valves

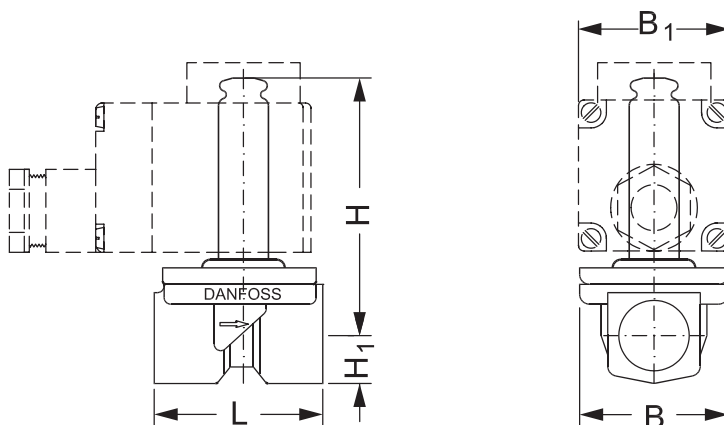


-			
-			
-			

EV220B 6-22 is a direct servo-operated 2/2-way solenoid valve program with connections from 1/4" to 1". This program is especially for OEM applications demanding a robust solution and moderate flow rates.

- 2/2-way
- Servo-operated
- DN 6 - DN 22
- Brass or DZR (de-zincification resistant) brass valve body
- NC (normally closed) and NO (normally open) versions
- ISO 228/1 or NPT thread connection (EVSI and EVSI-U)

Dimensions and weight:



Type / orifice size	L mm	B mm	B ₁ mm Coil type		H ₁ mm	H mm	Weight without coil kg
			BA	BB/BE			
EV220B 6	45.5	43,5	32	46	13.0	74.0	0.22
EV220B 10	51.5	48.0	32	46	13.0	77.0	0.29
EV220B 12	58.0	54.0	32	46	13.0	77.0	0.35
EV220B 18	90.0	62.0	32	46	18.0	83.0	0.65
EV220B 22	90.0	62.0	32	46	18.0	98.0	0.65

Approvals: WRAS, VA, DNV

EV220B 6-22 servo-operated valves with coil and plug, IP 65, brass, NC



Type	Connection	Kv m ³ /h	Media		Seal material	Differential pressure bar	Coil BB		Code number
			Water 90°C	Oil / Air			V ac 50Hz	V dc	
EV220B 10	G 3/8	1.5	✓	✓	NBR	0.1 → 10		24	032U151802
EV220B 10	G 3/8	1.5	✓	✓	NBR	0.1 → 30		24	032U151816
EV220B 10	G 3/8	1.5	✓	✓	NBR	0.1 → 30		230	032U151831
EV220B 12	G 1/2	2.5	✓	✓	NBR	0.3 → 6*		24	032U153802
EV220B 12	G 1/2	2.5	✓	✓	NBR	0.3 → 10		24	032U153816
EV220B 12	G 1/2	2.5	✓	✓	NBR	0.3 → 10		230	032U153831
EV220B 18	G 3/4	6	✓	✓	NBR	0.3 → 6*		24	032U528602
EV220B 18	G 3/4	6	✓	✓	NBR	0.3 → 10		24	032U528616
EV220B 18	G 3/4	6	✓	✓	NBR	0.3 → 10		230	032U528631
EV220B 22	G 1	6	✓	✓	NBR	0.3 → 6*		24	032U528702
EV220B 22	G 1	6	✓	✓	NBR	0.3 → 10		24	032U528716
EV220B 22	G 1	6	✓	✓	NBR	0.3 → 10		230	032U528731

* 6 bar max opening differential pressure is measured at 6% under voltage (22.6 volt dc hot coil), 50°C ambient and 90°C media temperature

EV220B 6-22 servo-operated valves, brass, NC



Type	Connection	Kv m ³ /h	Media		Seal material	Differential pressure bar	Code number
			Water 100°C	Oil / Air			
EV220B 6	G 1/4	0.7	✓		EPDM	0.1 → 20	032U1236
EV220B 6	G 1/4	0.7		✓	FKM	0.1 → 30	032U1237
EV220B 6	G 3/8	0.7	✓		EPDM	0.1 → 20	032U1241
EV220B 6	G 3/8	0.7		✓	FKM	0.1 → 30	032U1242
EV220B 10	G 3/8	1.5	✓		EPDM	0.1 → 20	032U1246
EV220B 10	G 3/8	1.5		✓	FKM	0.1 → 30	032U1247
EV220B 10	G 1/2	1.5	✓		EPDM	0.1 → 20	032U1251
EV220B 10	G 1/2	1.5		✓	FKM	0.1 → 30	032U1252
EV220B 12	G 1/2	2.5	✓		EPDM	0.3 → 10	032U1256
EV220B 12	G 1/2	2.5		✓	FKM	0.3 → 10	032U1255
EV220B 18	G 3/4	6	✓		EPDM	0.3 → 10	032U1261
EV220B 18	G 3/4	6		✓	FKM	0.3 → 10	032U1260
EV220B 22	G 1	6	✓		EPDM	0.3 → 10	032U1263
EV220B 22	G 1	6		✓	FKM	0.3 → 10	032U1266

EV220B 6-22 servo-operated valves, brass, NO



Type	Connection	Kv m ³ /h	Media		Seal material	Differential pressure bar	Code number
			Water 100°C	Oil / Air			
EV220B 6	G 3/8	0.7	✓		EPDM	0.1 → 10	032U1238
EV220B 6	G 3/8	0.7		✓	FKM	0.1 → 10	032U1239
EV220B 10	G 1/2	1		✓	FKM	0.1 → 10	032U1249

Coils for EV220B 6-22:



Voltage		Frequency Hz	Effect, watt			BA coil IP00	BB coil IP 00 clip-on	BE coil IP 67 clip-on
V ac	V dc		BA	BB	BE			
24		50	9	10	10	042N7508	018F7358	018F6707
48		50	9		10	042N7510		018F6709
110		50		10			018F7360	
115		50	9	10	10	042N7512	018F7361	018F6711
220 - 230		50	9	10	10	042N7501	018F7351	018F6701
240		50	9	10	10	042N7502	018F7352	018F6702
380 - 400		50	9	10	10	042N7504	018F7353	018F6703
	12	-	15	18	18	042N7550	018F7396	018F6756
	24	-	15	18	18	042N7551	018F7397	018F6757

Cable plug, IP 65 enclosure

To use with all BA and BB coils



042N0156



042N0156



042N0263



042N0263

To use with BA and BB coils - 24 V ac+dc

To use with BA and BB coils - 230 V

042N0265

042N0265

No plug needed -
IP 67 terminal box
fitted as standard

Spare parts and accessories for EV220B 6-22

Spare part kits, NC



Application	Seal material	Code number
EV220B 6	EPDM	032U1062
EV220B 6	FKM	032U1063
EV220B 10	EPDM	032U1065
EV220B 10	FKM	032U1066

Spare part kits, NC



Application	Seal material	Code number
EV220B 12	EPDM	032U1068
EV220B 12	FKM	032U1067
EV220B 18	EPDM	032U1070
EV220B 18	FKM	032U1069

Spare part kits, NO



Application	Seal material	Code number
EV220B 6	EPDM	032U0165
EV220B 6	FKM	032U0166
EV220B 10	FKM	032U0167

Permanent magnet

Description

Fits all EV220B valves



Code number

018F0091

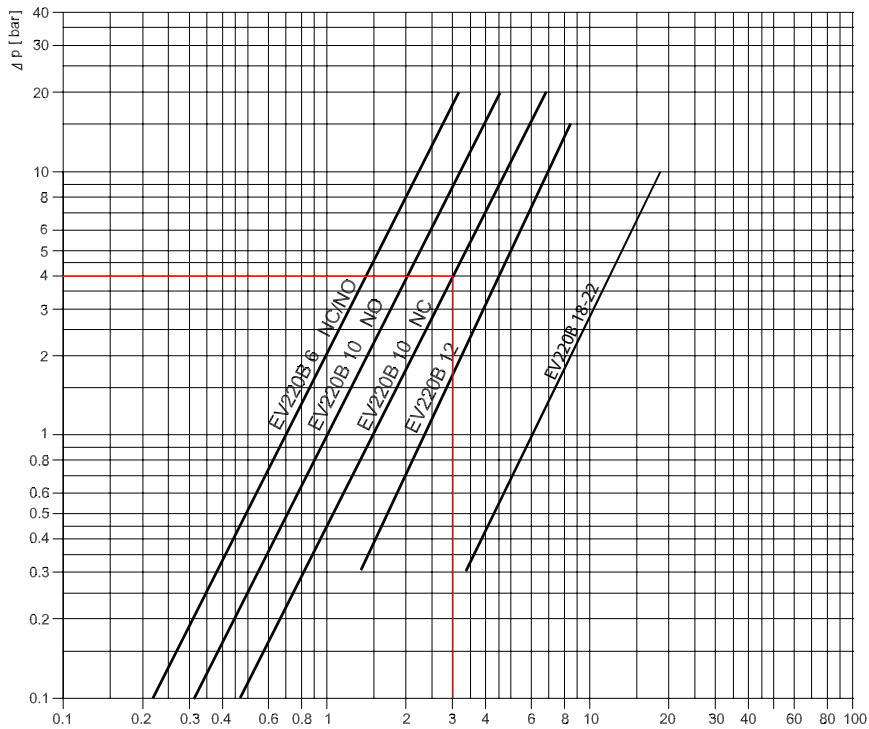
Electronic timers for coils for pulse start, only IP 65



Type	Description	Control voltage 50/60 Hz	Power cons. Max W	Ambient temp. °C	Code number
ET 20 M	External adjustable timing from 1 to 45 minutes with 1 to 15 seconds drain open. With manual override (test button) Electrical connection DIN 43650 A / EN 175 301-803-A	24 - 240	20.0	-10 → 50	042N0185

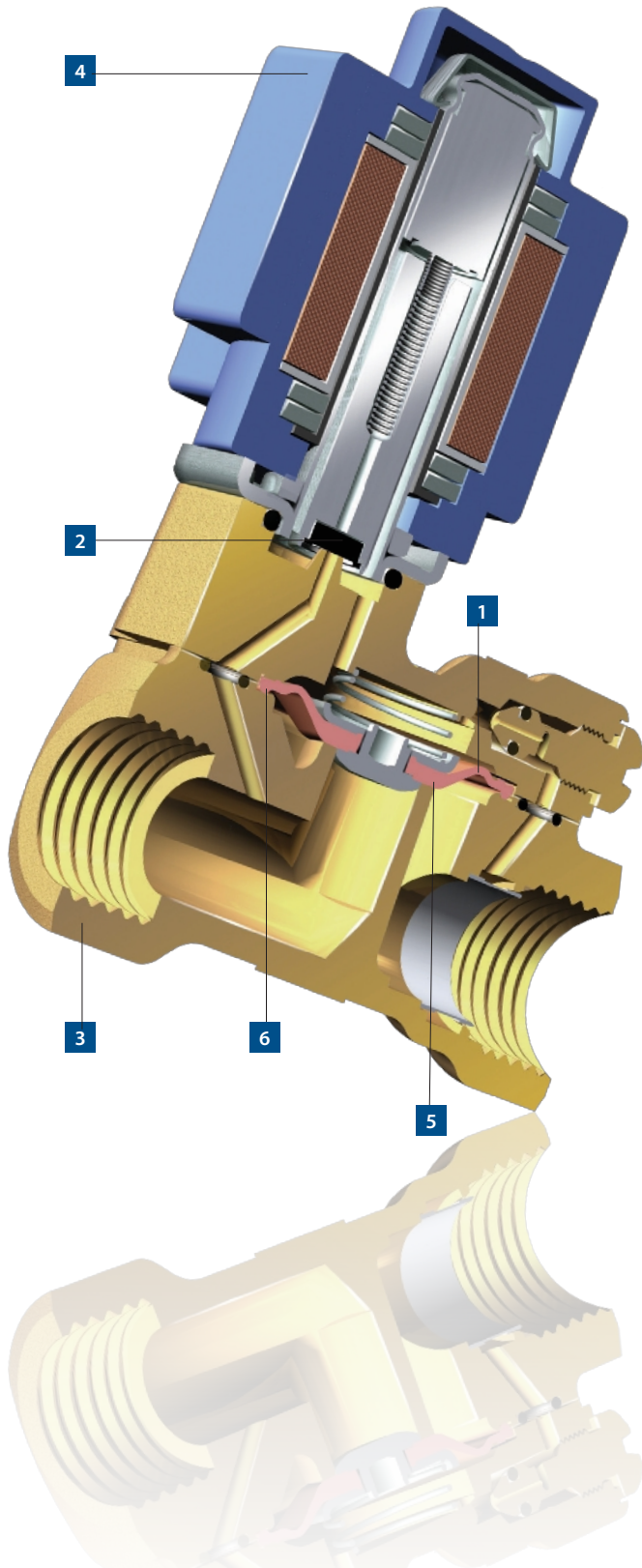
Capacity diagram for EV220B 6-22:

Example, water: EV220B 10 NC,
at 4 bar diff. pressure: Approx: 3 m³/h



The EV220B 15-50 for large capacities and damping water hammer

A universal indirect servo-operated 2/2 way solenoid valve range, the EV220B 15-50 is ideal for a wide variety of applications.



1 Effective against water hammer

To minimise water hammer, the valve's moulded diaphragm reinforces internal damping, and a special damping cone provides viscous damping in the very late closing stage. The closing speed can be adjusted by changing the equalising orifice.

2 Insensitive to dirt

A self-cleaning coaxial filter in the main valve flow prevents dirt entering the pilot system. However, if the equalising orifice does become blocked, the dirt can easily be removed with compressed air.

3 Broad temperature and material range

With a range of materials, there is an EV220B 15-50 valve suited to your application. The EV220B 15-50 is available in brass, as well as dezincification resistant brass (DZR) and stainless steel versions for aggressive steam applications.

The EPDM seals remain soft even at -30°C , and can handle temperatures up to 140°C .

4 Wide coil range up to IP67

The EV220B range uses the standard B-range of coils from IP00 to IP67. Coils subject to water splash and temperatures up to 80°C should use the more powerful and robust clip-on coils.

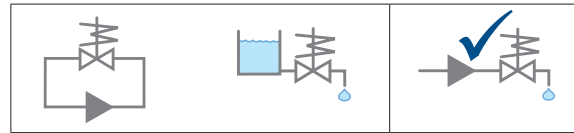
5 High capacity across the entire pressure range

The valve body has a smooth internal shape, and the specially designed diaphragm increases the lift height capacity. In indirect servo-operated valves, the kv-value is determined by the diameter of the orifice and the diaphragm lift height.

6 Good external tightness even at high differential pressures

Pressure in the valve increases the distance between the valve cover and body, so the moulded diaphragm has a built-in O-ring to avoid leakage. This provides an excellent seal between the valve cover and body even at high pressures, ensuring excellent external tightness.

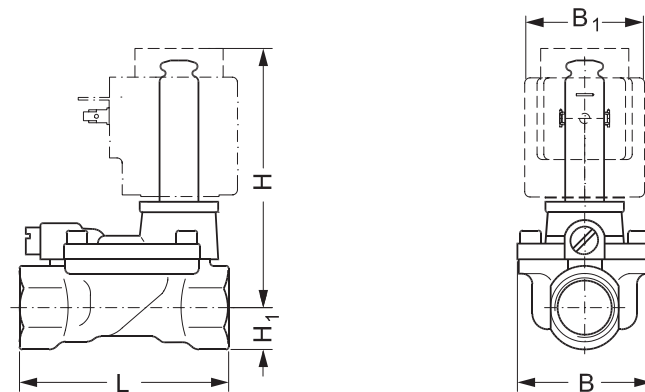
EV220B 15-50 servo-operated 2/2-way solenoid valves



EV220B 15-50 is a universal indirect servo-operated 2/2-way solenoid valve program. Valve body in brass, dezincification resistant brass and stainless steel ensures that a broad variety of application can be covered. Built-in pilot filter as standard, adjustable closing time and enclosures up to IP67 ensures optimal performance even under critical working conditions.

- 2/2-way
- Servo-operated
- DN 15 - DN 50
- Valve body available in brass, DZR brass, gun metal or stainless steel
- NC and NO versions
- ISO 228/1 or NPT thread connection (EVSI and EVSI-U)
- Built in filter for protection of pilot system
- Water hammer damped
- Adjustable closing time available

Dimensions and weight:



Type / orifice size	L mm	B mm	B ₁ , mm Coil type		H ₁ mm	H mm	Weight without coil / Kg
			BA	BB/BE			
EV220B 15	80.0	52.0	32	46	15.0	99.0	0.8
EV220B 20	90.0	58.0	32	46	18.0	103.0	1.0
EV220B 25	109.0	70.0	32	46	22.0	113.0	1.4
EV220B 32	120.0	82.0	32	46	27.0	120.0	2.0
EV220B 40	130.0	95.0	32	46	32.0	129.0	3.2
EV220B 50	162.0	113.0	32	46	37.0	135.0	4.3

Approvals: WRAS, VA, DNV, GL

EV220B 15-50 servo-operated valves with coil and plug, brass, IP 65, NC



Type	Connection	Kv m ³ /h	Media		Seal material	Coil BB		Code number
			Water 90°	Oil / Air		V ac 50 Hz	V dc	
EV220B 15	G 1/2	4	✓	✓	NBR		24	032U451402
EV220B 15	G 1/2	4	✓	✓	NBR	24		032U451416
EV220B 15	G 1/2	4	✓	✓	NBR	230		032U451431
EV220B 20	G 3/4	8	✓	✓	NBR		24	032U453002
EV220B 20	G 3/4	8	✓	✓	NBR	24		032U453016
EV220B 20	G 3/4	8	✓	✓	NBR	230		032U453031
EV220B 25	G 1	11	✓	✓	NBR		24	032U453402
EV220B 25	G 1	11	✓	✓	NBR	24		032U453416
EV220B 25	G 1	11	✓	✓	NBR	230		032U453431
EV220B 32	G 1 1/4	18	✓	✓	NBR		24	032U456802
EV220B 32	G 1 1/4	18	✓	✓	NBR	24		032U456816
EV220B 32	G 1 1/4	18	✓	✓	NBR	230		032U456831
EV220B 40	G 1 1/2	24	✓	✓	NBR		24	032U458502
EV220B 40	G 1 1/2	24	✓	✓	NBR	24		032U458516
EV220B 40	G 1 1/2	24	✓	✓	NBR	230		032U458531
EV220B 50	G 2	40	✓	✓	NBR		24	032U460402
EV220B 50	G 2	40	✓	✓	NBR	24		032U460416
EV220B 50	G 2	40	✓	✓	NBR	230		032U460431

EV220B 15-50 servo-operated valves, NC DZR brass, brass or stainless steel (SS)



Type	Connection	Kv m ³ /h	Water 120°C	Media		Seal material	Body material			Code number
				Water 90°C	Oil / Air		DZR	Brass	SS	
EV220B 15	G 1/2	4	✓			EPDM	✓			032U5815
EV220B 15	G 1/2	4	✓			EPDM		✓		032U7115
EV220B 15	G 1/2	4	✓			EPDM			✓	032U8500
EV220B 15	G 1/2	4			✓	FKM		✓		032U7116
EV220B 15	G 1/2	4			✓	FKM			✓	032U8506
EV220B 15	G 1/2	4		✓	✓	NBR		✓		032U7170
EV220B 20	G 3/4	8	✓			EPDM	✓			032U5820
EV220B 20	G 3/4	8	✓			EPDM		✓		032U7120
EV220B 20	G 3/4	8	✓			EPDM			✓	032U8501
EV220B 20	G 3/4	8			✓	FKM		✓		032U7121
EV220B 20	G 3/4	8			✓	FKM			✓	032U8507
EV220B 20	G 3/4	8		✓	✓	NBR		✓		032U7171
EV220B 25	G 1	11	✓			EPDM		✓		032U7125
EV220B 25	G 1	11	✓			EPDM			✓	032U8502
EV220B 25	G 1	11			✓	FKM		✓		032U7126
EV220B 25	G 1	11			✓	FKM			✓	032U8508
EV220B 25	G 1	11		✓	✓	NBR		✓		032U7172
EV220B 32	G 1 1/4	18	✓			EPDM	✓			032U5832
EV220B 32	G 1 1/4	18	✓			EPDM		✓		032U7132
EV220B 32	G 1 1/4	18	✓			EPDM			✓	032U8503

EV220B 15-50 servo-operated valves, NC DZR brass, brass or stainless steel (SS)



Type	Connection	Kv m ³ /h	Media			Seal material	Body material			Code number
			Water 120°C	Water 90°C	Oil / Air		DZR	Brass	SS	
EV220B 32	G 1 1/4	18			✓	FKM		✓		032U7133
EV220B 32	G 1 1/4	18			✓	FKM			✓	032U8509
EV220B 32	G 1 1/4	18		✓	✓	NBR		✓		032U7173
EV220B 40	G 1 1/2	24	✓			EPDM	✓			032U5840
EV220B 40	G 1 1/2	24	✓			EPDM		✓		032U7140
EV220B 40	G 1 1/2	24	✓			EPDM			✓	032U8504
EV220B 40	G 1 1/2	24			✓	FKM		✓		032U7141
EV220B 40	G 1 1/2	24			✓	FKM			✓	032U8510
EV220B 40	G 1 1/2	24		✓	✓	NBR		✓		032U7174
EV220B 50	G 2	40	✓			EPDM	✓			032U5850
EV220B 50	G 2	40	✓			EPDM		✓		032U7150
EV220B 50	G 2	40	✓			EPDM			✓	032U8505
EV220B 50	G 2	40			✓	FKM		✓		032U7151
EV220B 50	G 2	40			✓	FKM			✓	032U8511
EV220B 50	G 2	40		✓	✓	NBR		✓		032U7175

EV220B 15-50 servo-operated valves, brass, NO



Type	Connection	Kv m ³ /h	Media			Seal material	Code number
			Water 120°C	Water 90°C	Oil / Air		
EV220B 15	G 1/2	4	✓			EPDM	032U7117
EV220B 15	G 1/2	4		✓	✓	NBR	032U7180
EV220B 20	G 3/4	8	✓			EPDM	032U7122
EV220B 20	G 3/4	8		✓	✓	NBR	032U7181
EV220B 25	G 1	11	✓			EPDM	032U7127
EV220B 25	G 1	11		✓	✓	NBR	032U7182
EV220B 32	G 1 1/4	18	✓			EPDM	032U7134
EV220B 32	G 1 1/4	18		✓	✓	NBR	032U7183
EV220B 40	G 1 1/2	24	✓			EPDM	032U7142
EV220B 40	G 1 1/2	24		✓	✓	NBR	032U7184
EV220B 50	G 2	40	✓			EPDM	032U7152
EV220B 50	G 2	40		✓	✓	NBR	032U7185

Coils for EV220B 15-50



Voltage		Frequency Hz	Effect, watt			BA coil IP00	BB coil IP 00 clip-on	BE coil IP 67 clip-on
V ac	V dc		BA	BB	BE			
24		50	9	10	10	042N7508	018F7358	018F6707
48		50	9		10	042N7510		018F6709
110		50		10			018F7360	
115		50	9	10	10	042N7512	018F7361	018F6711
220 - 230		50	9	10	10	042N7501	018F7351	018F6701
240		50	9	10	10	042N7502	018F7352	018F6702
380 - 400		50	9	10	10	042N7504	018F7353	018F6703
	12	-	15	18	18	042N7550	018F7396	018F6756
	24	-	15	18	18	042N7551	018F7397	018F6757

Cable plug, IP 65 enclosure



To use with all BA and BB coils

042N0156

042N0156



To use with BA and BB coils - 24 V ac+dc

042N0263

042N0263

To use with BA and BB coils - 230 V

042N0265

042N0265

No plug needed -
IP 67 terminal box
fitted as standard

Spare parts for EV220B 15-50

Spare part kit, NC



Application	Seal material	Code number
EV220B 15	EPDM	032U1071
EV220B 15	FKM	032U1072
EV220B 15	NBR	032U6013
EV220B 20	EPDM	032U1073
EV220B 20	FKM	032U1074
EV220B 20	NBR	032U6014
EV220B 25	EPDM	032U1075
EV220B 25	FKM	032U1076
EV220B 25	NBR	032U6015
EV220B 32	EPDM	032U1077
EV220B 32	FKM	032U1078
EV220B 32	NBR	032U6016
EV220B 40	EPDM	032U1079
EV220B 40	FKM	032U1080
EV220B 40	NBR	032U6017
EV220B 50	EPDM	032U1081
EV220B 50	FKM	032U1082
EV220B 50	NBR	032U6018

Spare part kit, NO



Application	Seal material	Code number
EV220B 15-50	FKM	032U0295
EV220B 15-50	EPDM	032U0296
EV220B 15-50	NBR	032U0299

Manual override kit



Application	Description	Code number
EV220B 15-50	Manual override kit. Used for manual override in event of power failure. Note: Valve height is increased by 16 mm	032U0150

Isolating diaphragm kits



Application	Seal material	Description	Code number
EV220B 15-50	EPDM	The isolating diaphragm protects the actuator against dirt and corrosion.	042U1009
EV220B 15-50	FKM		042U1010

Spare parts and accessories for EV220B 15-50

Adjustable orifice kit, brass



Application	Seal material	Code number
EV220B 15-50	EPDM	032U0682
EV220B 15-50	NBR	032U0681
EV220B 15-50	FKM	032U0683

Equalizing orifice



Application	Seal material	Dimension mm	Description	Code number
EV220B 25-32	FKM	1.2	The valves closing time can be changed by installing an equalizing orifice of a size which deviates from the standard valve.	032U0085
EV220B 15-20	EPDM	0.5		032U0082
EV220B 25-32-40	EPDM	0.8		032U0084
EV220B 50	EPDM	1.2		032U0086
EV220B 40-50	FKM	1.4		032U0087

Permanent magnet



Application	Code number
Fits all EV220B valves	018F0091

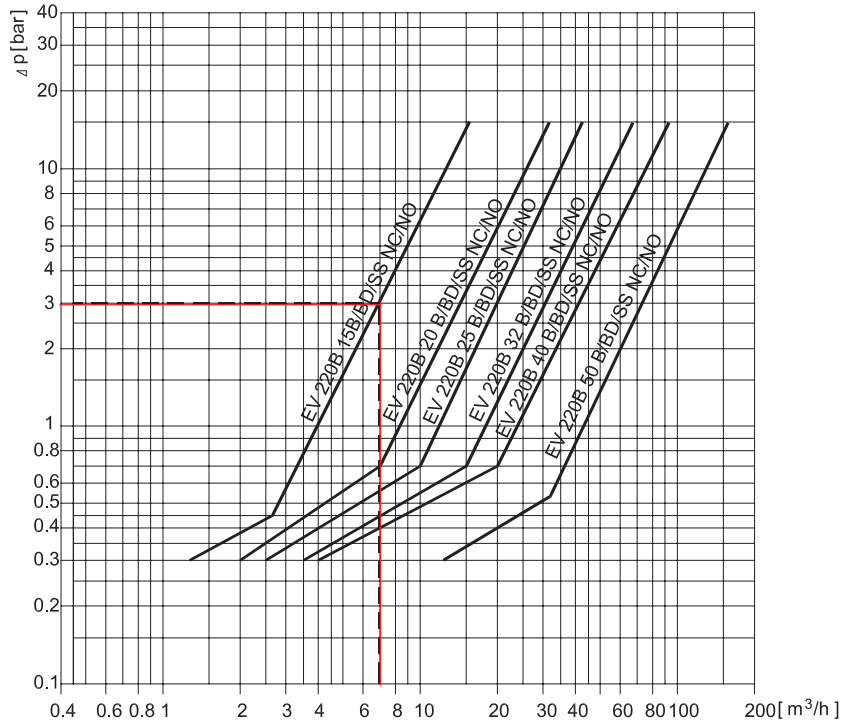
Electronic timers for coils for pulse start, only IP 65



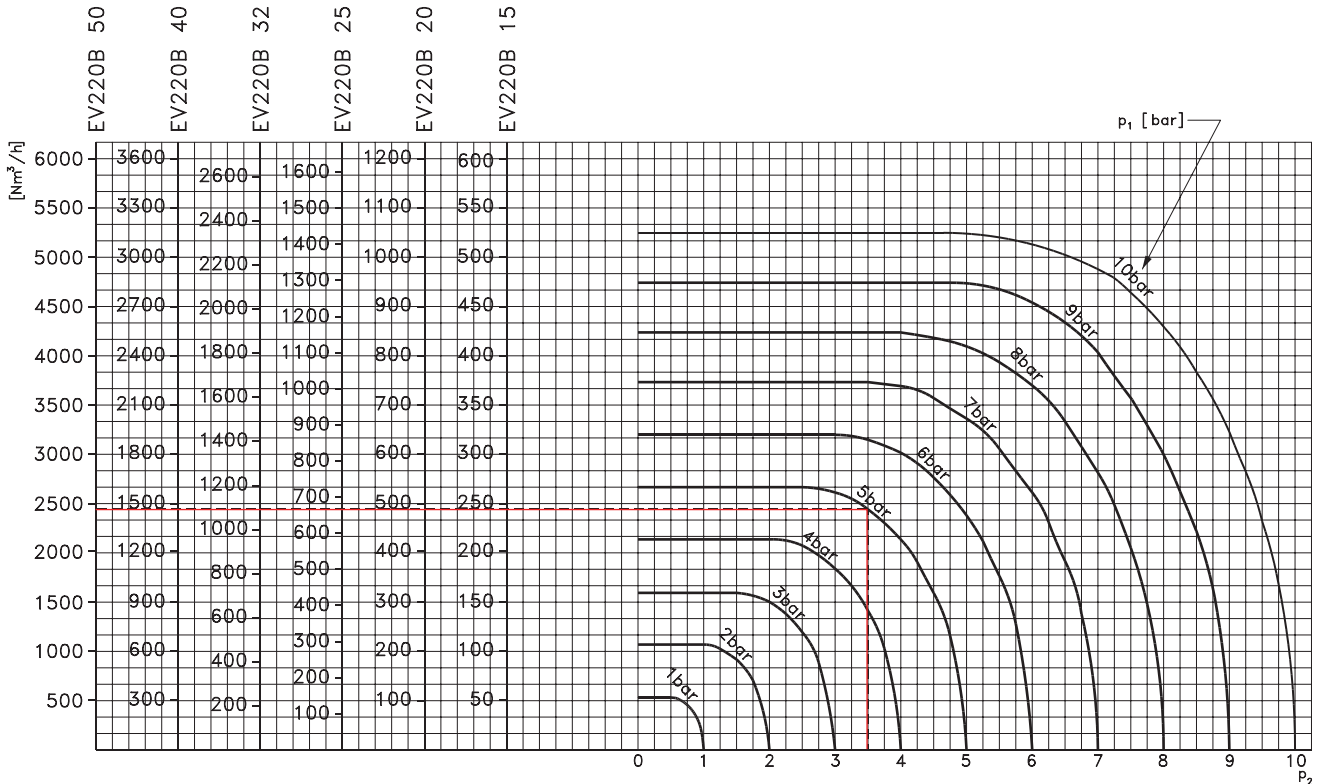
Type	Description	Control voltage 50/60 Hz	Power cons. Max W	Ambient temp. °C	Code number
ET 20 M	External adjustable timing from 1 to 45 minutes with 1 to 15 seconds drain open. With manual override (test button) Electrical connection DIN 43650 A / EN 175 301-803-A	24 - 240	20.0	-10 → 50	042N0185

Capacity diagram for EV220B 15-50:

Example, water:
Capacity for EV220B 15B at differential pressure of 3 bar. Approx. 7 m³/h

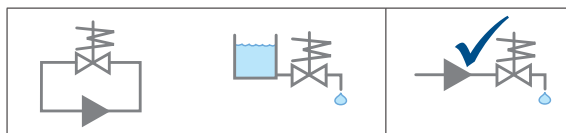


Example, air:
Capacity for EV220B 15B at inlet pressure (p₁) of 5 bar and outlet pressure (p₂) of 3.5 bar. Approx. 245 Nm³/h



Flow information on other media types: Please contact Danfoss.

EV220B 65-100 servo-operated 2/2-way solenoid valves



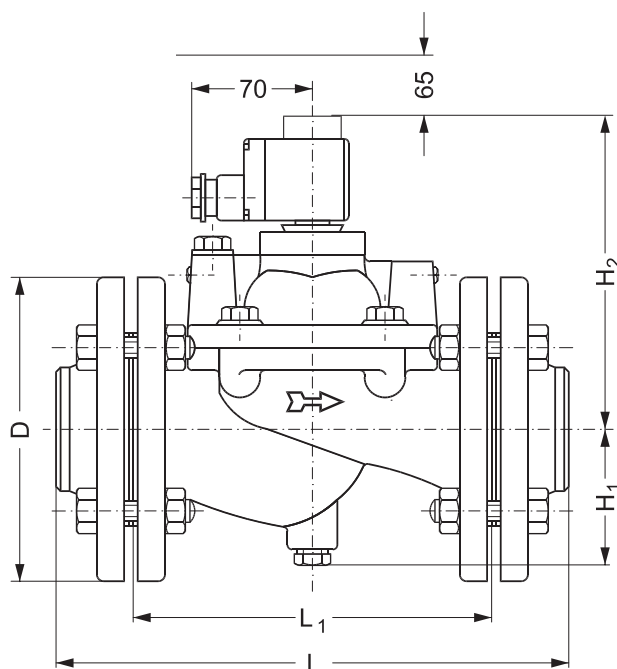
-				+
-				+
-				+

EV220B 65-100 is a 2/2-way solenoid valve program for use in robust industrial applications, demanding high flow rates. The valve is designed with cast iron valve bodies and flanged connection.

Water-hammer damped design and built-in pilot filter ensures a reliable operational period.

- 2/2-way
- Servo-operated
- DN 65 - DN 100
- Cast iron valve body
- Flange connection
- Working pressure up to 10 bar
- Max. medium temperature: 90° C

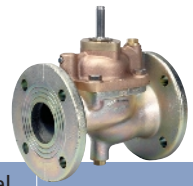
Dimensions and weight:



All dimensions in millimetres

Type / orifice size	L mm	L ₁ mm	Coil width mm		∅ D mm	H ₁ mm	H ₂ mm	Weight without coil kg
			10 W ac	20 W dc				
EV220B 65	320	224	46	66	185	85	185	24
EV220B 80	370	265	46	66	200	93	215	34
EV220B 100	430	315	46	66	220	103	240	44

EV220B 65-100 servo-operated valves, NC



Type	Connection Flange / inch	Kv m ³ /h	Media			Seal material	Body material Cast iron	Differential pressure bar	Code number
			Water 120°C	Water 90°C	Oil / Air				
EV220B 65	2 1/2	50		✓	✓	NBR	✓	0.25 → 10	016D3330
EV220B 65	2 1/2	50	✓			EPDM	✓	0.25 → 10	016D6065
EV220B 80	3	75		✓	✓	NBR	✓	0.25 → 10	016D3331
EV220B 80	3	75	✓			EPDM	✓	0.25 → 10	016D6080
EV220B 100	4	130	✓			EPDM	✓	0.25 → 10	016D6100

Coils for EV220B 65-100



Voltage		Frequency Hz	Effect, watt		BB coil IP 00 clip-on	BE coil IP 67 clip-on
V ac	V dc		BB	BE		
24		50	10	10	018F7358	018F6707
48		50		10		018F6709
110		50	10		018F7360	
115		50	10	10	018F7361	018F6711
220 - 230		50	10	10	018F7351	018F6701
240		50	10	10	018F7352	018F6702
380 - 400		50	10	10	018F7353	018F6703
	12	-	18	18	018F7396	018F6756
	24	-	18	18	018F7397	018F6757

Cable plug, IP 65 enclosure

To use with all BB coils



042N0156

No plug needed - IP 67 terminal box fitted as standard

To use with BB coils - 24 V ac+dc



042N0263

To use with BB coils - 230 V

042N0265

Accessories for EV220B 65-100 servo-operated valves

Permanent magnet



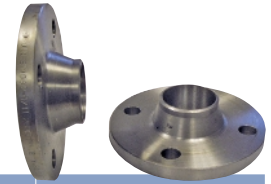
Application	Code number
Fits all EV220B valves	018F0091

Electronic timers for coils for pulse start , only IP 65

Type	Description	Control voltage 50/60 Hz	Power cons. Max W	Ambient temp. °C	Code number
ET 20 M	External adjustable timing from 1 to 45 minutes with 1 to 15 seconds drain open. With manual override (test button) Electrical connection DIN 43650 A / EN 175 301-803-A	24 - 240	20.0	-10 → 50	042N0185



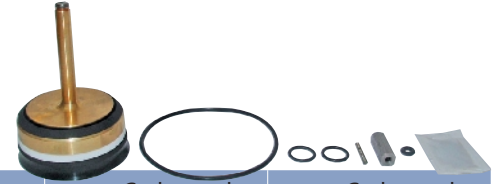
Spare parts for EV220B 65-100 servo-operated valves



Flange sets. Each set contains 2 flanges.

Application	Connection	Code number
EV220B 65	2½ in. weld	027N3065
EV220B 80	3 in. weld	027N3080
EV220B 100	4 in. weld	027N3100

Spare part kit



Application	Code number EPDM	Code number NBR
EV220B 65	016D0078	016D0095
EV220B 80	016D0079	016D0096
EV220B 100	016D0080	

Seal kit



Application	Code number EPDM	Code number NBR
EV220B 65	016D0075	016D0084
EV220B 80	016D0076	016D0085
EV220B 100	016D0077	016D0086

Filter kit

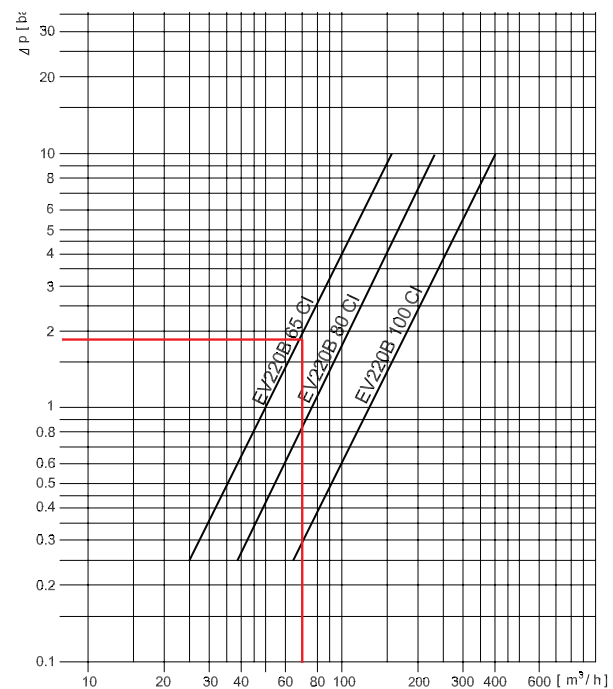


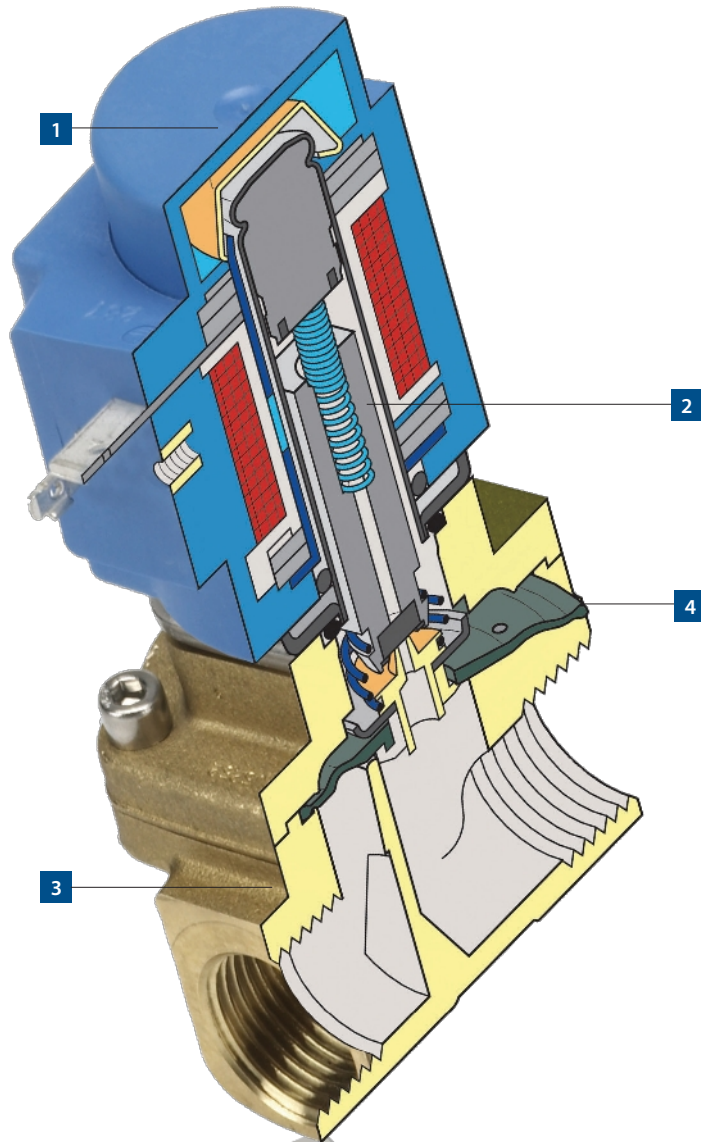
Application	Code number
EV220B 65	016D0092
EV220B 80/100	016D0093

Normally open unit on request. Please contact Danfoss.

Capacity diagram for EV220B 65-100:

Example, water:
Capacity for EV220B 65-100 at differential pressure of 2 bar: Approx. 70 m³/h





The EV250B for low and unspecified pressure conditions

Designed for closed circuits, the EV250B 2/2-way assisted-lift solenoid valve range damps water hammer at low differential pressure and moderate flow rates.

1 Clip-on coil systems

Suitable for clip-on coil systems, the EV250B ensures faultless mounting so that both assembly and dismantling is simple and safe. And when needed, a hermetic seal against moisture penetration gives a tighter seal and a safer and more stable fastening.

2 High lift at zero or low differential pressures

High armature lift secures a high opening degree from zero differential pressure.

3 For aggressive low-pressure steam

Made from dezincification resistant brass (DZR), the EV250B valve body is suitable for aggressive technical water and steam.

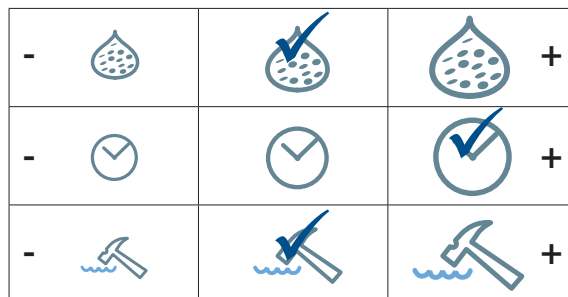
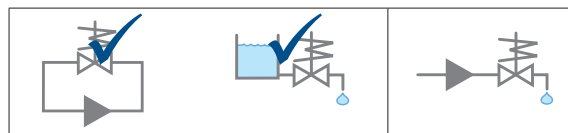
4 Good external tightness even at high differential pressures

The thick valve cover and moulded diaphragm with built-in o-ring secures an excellent seal between valve cover and body even at high pressure.

Extra features

The EV250B is available with a range of water approvals, including the British WRAS approval. It is also available with hum-free coils, American NPT threads and UL approval, IP 67 protection, EEx coils, and DNV ship approval.

EV250B assisted lift 2/2-way solenoid valves



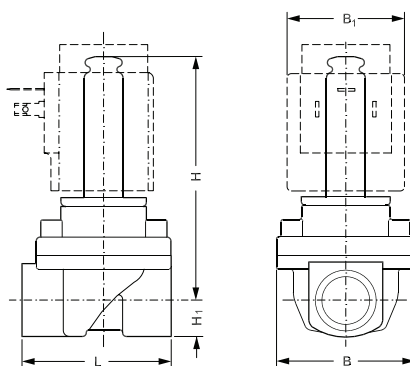
EV250B with assisted lift can operate from zero and up to 10 bar differential pressure.

This 2/2-way valve program is especially to use in closed circuits with low differential pressure, but demanding moderate flow rates. Valve body in dezincification resistant brass for ensuring a long life even in connection with aggressive steam media.

EV250B is compatible with the broad Danfoss coil program with enclosures from IP00 up to IP67. Medium temperatures up to 140 °C (low pressure steam).

- 2/2-way
- Assisted lift
- DN 10 - DN 22
- DZR brass valve body
- NC (normally closed) or NO (normally open)
- From zero differential pressure
- Especially suitable for closed circuits and for emptying tanks
- Available with WRAS, VA and UL approvals
- ISO or NPT thread connections

Dimensions and weight:



Type	L mm	B mm	B ₁ mm Coil type		H ₁ mm	H mm	Weight without coil kg
			BB/BE				
G 3/8	58	52.3	46		12.5	91	0.6
G 1/2	58	52.3	46		12.5	91	0.6
G 3/4	90.5	58	46		18	92	0.8
G 1	90	58	46		22.3	96.3	1.1

Approvals: WRAS, VA, UL

EV250B assisted lift valve with coil and plug IP65, DZR brass, NC



Type	Connection	Kv m ³ /h	Media		Seal material	Differential pressure bar	Coil BB		Code number
			Water 120°C				V ac 50 Hz	V dc	
EV250B 10	G 3/8	2.5	✓		EPDM	0 → 6*		24	032U157102
EV250B 10	G 3/8	2.5	✓		EPDM	0 → 10		24	032U157116
EV250B 10	G 3/8	2.5	✓		EPDM	0 → 10		230	032U157131
EV250B 12	G 1/2	4	✓		EPDM	0 → 6*		24	032U158002
EV250B 12	G 1/2	4	✓		EPDM	0 → 10		24	032U158016
EV250B 12	G 1/2	4	✓		EPDM	0 → 10		230	032U158031
EV250B 18	G 3/4	6	✓		EPDM	0 → 6*		24	032U161402
EV250B 18	G 3/4	6	✓		EPDM	0 → 10		24	032U161416
EV250B 18	G 3/4	6	✓		EPDM	0 → 10		230	032U161431
EV250B 22	G 1	7	✓		EPDM	0 → 6*		24	032U162402
EV250B 22	G 1	7	✓		EPDM	0 → 10		24	032U162416
EV250B 22	G 1	7	✓		EPDM	0 → 10		230	032U162431

* 6 bar max opening differential pressure is measured at 6% under voltage (22.6 volt dc hot coil), 50°C ambient and 90°C media temperature

EV250B assisted lift valve with coil and plug IP65, DZR brass, NO



Type	Connection	Kv m ³ /h	Media		Seal material	Differential pressure bar	Coil BB		Code number
			Water 120°C				V ac 50 Hz	V dc	
EV250B 18	G 3/4	4.9	✓		EPDM	0 → 10		230	032U537431
EV250B 20	G 1	5.2	✓		EPDM	0 → 10		230	032U537631

EV250B assisted lift valve, DZR brass, NC



Type	Connection	Kv m ³ /h	Media		Seal material	Differential pressure bar	Code number
			Water 120°C	Oil / Air			
EV250B 10	G 3/8	2.5	✓		EPDM	0 → 10	032U5250
EV250B 10	G 3/8	2.5		✓	FKM	0 → 10	032U5251
EV250B 12	G 1/2	4	✓		EPDM	0 → 10	032U5252
EV250B 12	G 1/2	4		✓	FKM	0 → 10	032U5253
EV250B 18	G 3/4	6	✓		EPDM	0 → 10	032U5254
EV250B 18	G 3/4	6		✓	FKM	0 → 10	032U5255
EV250B 22	G 1	7	✓		EPDM	0 → 10	032U5256
EV250B 22	G 1	7		✓	FKM	0 → 10	032U5257

EV250B assisted lift valve, DZR brass, NO



Type	Connection	Kv m ³ /h	Media		Seal material	Differential pressure bar	Code number
			Water 120°C	Oil / Air			
EV250B 10	G 3/8	2.5	✓		EPDM	0 → 10	032U5350
EV250B 12	G 1/2	4	✓		EPDM	0 → 10	032U5352
EV250B 18	G 3/4	4.9	✓		EPDM	0 → 10	032U5354
EV250B 20	G 1	5.2	✓		EPDM	0 → 10	032U5356

Coils for EV250B



V ac	Voltage		Frequency Hz	Effect, watt		BB coil	BE coil
	V dc			BB	BE	IP 00 clip-on	IP 67 clip-on
24			50	10	10	018F7358	018F6707
48			50		10		018F6709
110			50	10		018F7360	
115			50	10	10	018F7361	018F6711
220 - 230			50	10	10	018F7351	018F6701
240			50	10	10	018F7352	018F6702
380 - 400			50	10	10	018F7353	018F6703
		12	-	18	18	018F7396	018F6756
		24	-	18	18	018F7397	018F6757

Cable plug, IP 65 enclosure



042N0156



042N0263

042N0265

No plug needed -
IP 67 terminal box
fitted as standard

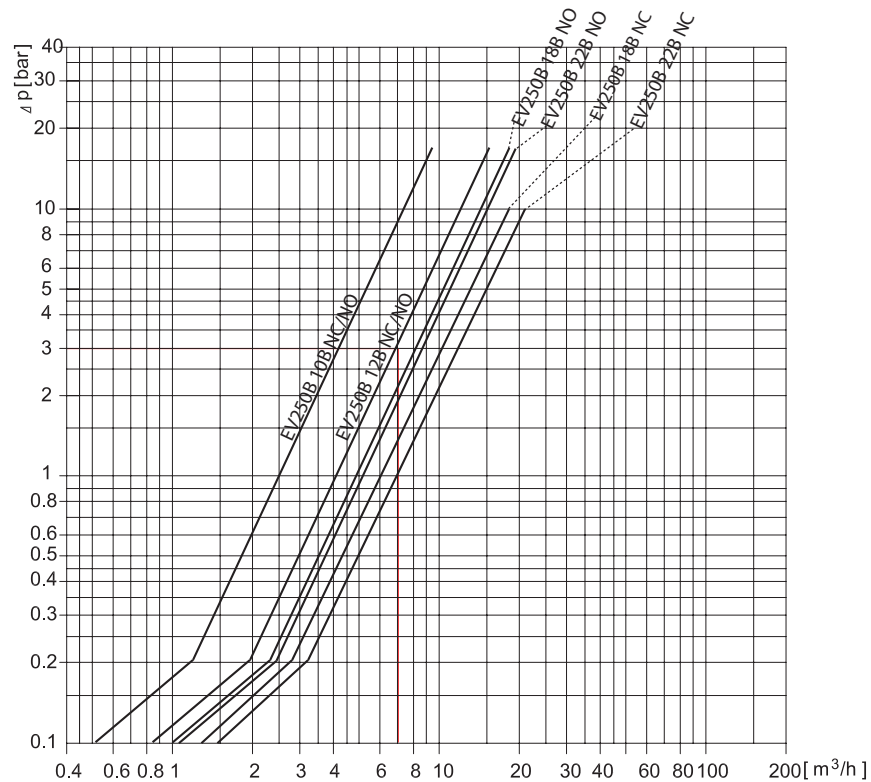
To use with BB coils

To use with BB coils - 24 V ac and dc

To use with BB coils - 230 V

Capacity diagram for solenoid valve EV250B

Example, water: EV250B 12
at differential pressure of 3 bar:
Approx. 7 m³/h



Spare parts and accessories for EV250B



Spare part kits for EV250B EPDM NC

Application	Seal material	Code number
EV250B 10-12	EPDM	032U5315
EV250B 18-22	EPDM	032U5317

Spare part kits for EV250B FKM NC



Application	Seal material	Code number
EV250B 10-12	FKM	032U5271
EV250B 18-22	FKM	032U5273

Sparepart kits for EV250B NO



Application	Seal material	Code number
EV250B 10-12	EPDM	032U5319
EV250B 10-12	FKM	032U5320
EV250B 18-22	EPDM	032U5321
EV250B 18-22	FKM	032U5322

Permanent magnet



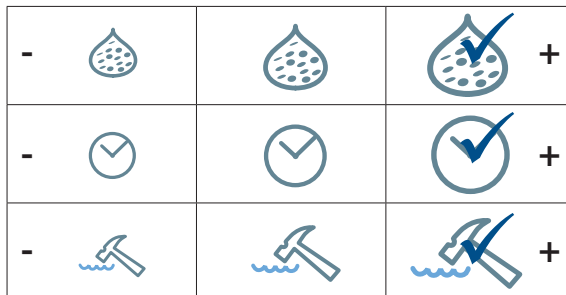
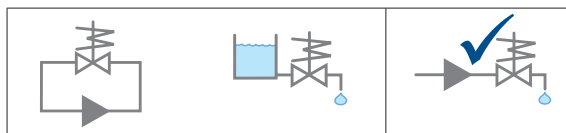
Description	Code number
Fits all EV250B valves	018F0091

Electronic timers for coils for pulse start, only IP 65



Type	Description	Control voltage 50/60 Hz	Power cons. Max W	Ambient temp. °C	Code number
ET 20 M	External adjustable timing from 1 to 45 minutes with 1 to 15 seconds drain open. With manual override (test button) Electrical connection DIN 43650 A / EN 175 301-803-A	24 - 240	20.0	-10 → 50	042N0185

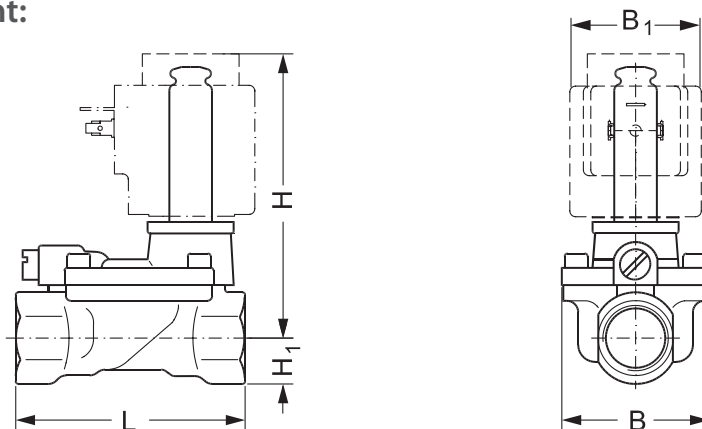
EV224B servo-operated 2/2-way solenoid valves for high pressure air



EV224B is a high pressure indirect servo-operated 2/2-way solenoid valve with working pressure up to 40 bar, medium temperature up to 60 °C and available in NC and NO versions. Built-in pilot filter as standard, adjustable closing time, enclosures up to IP67 (depending on coil) ensure a reliable and satisfactory function.

- For high pressure air applications up to 40 bar
- 2/2-way
- Servo-operated
- DN 15 - DN 25
- Ambient temperature: +80°C
- NC and NO versions
- Brass valve body
- Built in filter for protection of pilot system
- Based on proven EV220B technology

Dimensions and weight:



Type	L mm	B mm	B ₁ mm Coil type	H ₁ mm	H mm	Weight without coil kg
			BB/BE			
EV224B 15	80.0	52.0	46	15.0	99.0	0.8
EV224B 20	90.0	58.0	46	18.0	103.0	1.0
EV224B 25	109.0	70.0	46	22.0	113.0	1.4

Approvals: Germanischer Lloyd

EV224B servo-operated valves, NC



Type	Connection	Kv m ³ /h	Seal material	Media Air 60°C	Body material Brass	Differential pressure bar	Code number
EV224B 15	G 1/2	4	NBR	✓	✓	0.3 → 40	032U8360
EV224B 20	G 3/4	8	NBR	✓	✓	0.3 → 40	032U8362
EV224B 25	G 1	11	NBR	✓	✓	0.3 → 40	032U8364

EV224B servo-operated valves, NO



Type	Connection	Kv m ³ /h	Seal material	Media Air 60°C	Body material Brass	Differential pressure bar	Code number
EV224B 15	G 1/2	4	NBR	✓	✓	0.3 → 40	032U8361
EV224B 20	G 3/4	8	NBR	✓	✓	0.3 → 40	032U8363
EV224B 25	G 1	11	NBR	✓	✓	0.3 → 40	032U8365

Coils for EV224B



Voltage		Frequency Hz	Effect, watt		BB coil IP 00 clip-on	BE coil IP 67 clip-on
V ac	V dc		BB	BE		
24		50	10	10	018F7358	018F6707
48		50		10		018F6709
110		50	10		018F7360	
115		50	10	10	018F7361	018F6711
220 - 230		50	10	10	018F7351	018F6701
240		50	10	10	018F7352	018F6702
380 - 400		50	10	10	018F7353	018F6703
	12	-	18	18	018F7396	018F6756
	24	-	18	18	018F7397	018F6757

Cable plugs, IP 65 enclosure



042N0156



042N0263

042N0265

To use with BB coils

To use with BB coils - 24 V ac+dc

To use with BB coils - 230 V

No plug needed - IP 67 terminal box fitted as standard

Spare parts and accessories for EV224B

Electronic timers for coils for pulse start, only IP 65



Type	Description	Control voltage 50/60 Hz	Power cons. Max W	Ambient temp. °C	Code number
ET 20 M	External adjustable timing from 1 to 45 minutes with 1 to 15 seconds drain open. With manual override (test button) Electrical connection DIN 43650 A / EN 175 301-803-A	24 - 240	20.0	-10 → 50	042N0185

Spare part kits, NC



Application	Seal material	Code number
EV224B 15	NBR	032U6156
EV224B 20	NBR	032U6158
EV224B 25	NBR	032U6160

Spare part kits, NO



Application	Seal material	Code number
EV224B 15	NBR	032U6157
EV224B 20	NBR	032U6159
EV224B 25	NBR	032U6161

EV225B servo-operated 2/2-way solenoid valves for steam



-			+
-			+

EV225B is a servo-operated 2/2-way solenoid valve for use in steam application.

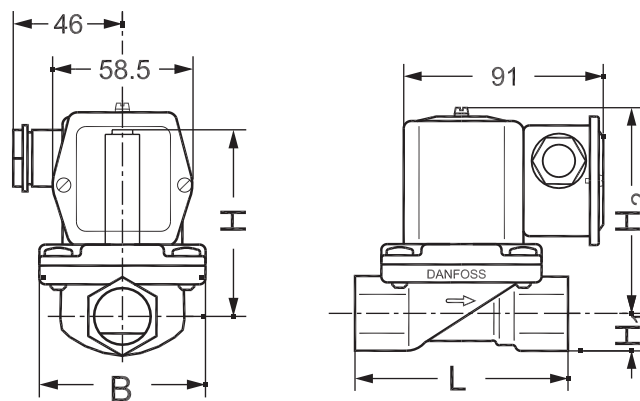
The design is based on a PTFE diaphragm concept, ensuring high reliable function even in connection with contaminated steam.

Valve body in dezincification resistant brass and valve seats made in stainless steel for ensuring a long life even in connection with aggressive steam media.

Coil type BR can be used on EV225B.

- 2/2-way
- Specifically designed for steam applications
- Servo-operated
- DN 6 - DN 25
- Ambient temperature: +40°C
- G 1/4" to G 1"
- DZR brass valve body
- NC (normally closed)
- ISO 228/1 or UL listed version with NPT for North America (EVSIS)

Dimensions and weight:



Type / orifice size	L mm	B mm	H mm	H ₁ mm	H ₂ mm	Weight without coil kg
EV225B 10	62	46	75	13	87	0.82
EV225B 15	81	56	77	15	88.5	0.96
EV225B 20	98	72	84	18	95	1.4
EV225B 25	106	72	90	21	103	1.8

EV225B servo-operated steam valve with coil, DZR brass, NC



Type	Connection	Kv m ³ /h	Seal material	Differential pressure bar	Steam temperature range °C	Coil BR V ac 50 hz	Code number
EV225B 10	G 1/2	2.2	PTFE	0.2 → 10	-10 → 185	230	032U300484
EV225B 15	G 1/2	3	PTFE	0.2 → 10	-10 → 185	230	032U300584
EV225B 20	G 3/4	5	PTFE	0.2 → 10	-10 → 185	24	032U300682
EV225B 20	G 3/4	5	PTFE	0.2 → 10	-10 → 185	230	032U300684
EV225B 25	G 1	6	PTFE	0.2 → 10	-10 → 185	230	032U300784

EV225B servo-operated steam valve, DZR brass, NC



Type	Connection	Kv m ³ /h	Seal material	Differential pressure bar	Steam temperature range °C	Code number
EV225B 10	G 3/8	2.2	PTFE	0.2 → 10	-10 → 185	032U300399
EV225B 10	G 1/2	2.2	PTFE	0.2 → 10	-10 → 185	032U300499
EV225B 15	G 1/2	3	PTFE	0.2 → 10	-10 → 185	032U300599
EV225B 20	G 3/4	5	PTFE	0.2 → 10	-10 → 185	032U300699
EV225B 25	G 1	6	PTFE	0.2 → 10	-10 → 185	032U300799

Coils for EV225B



Voltage		Frequency Hz	Description	Code number
V ac	V dc			
24		50	BR coil	032K143682
230		50	BR coil	032K143684
240		50	BR coil	032K143685
	24	-	BR coil. Only up to 160°C	032K140902

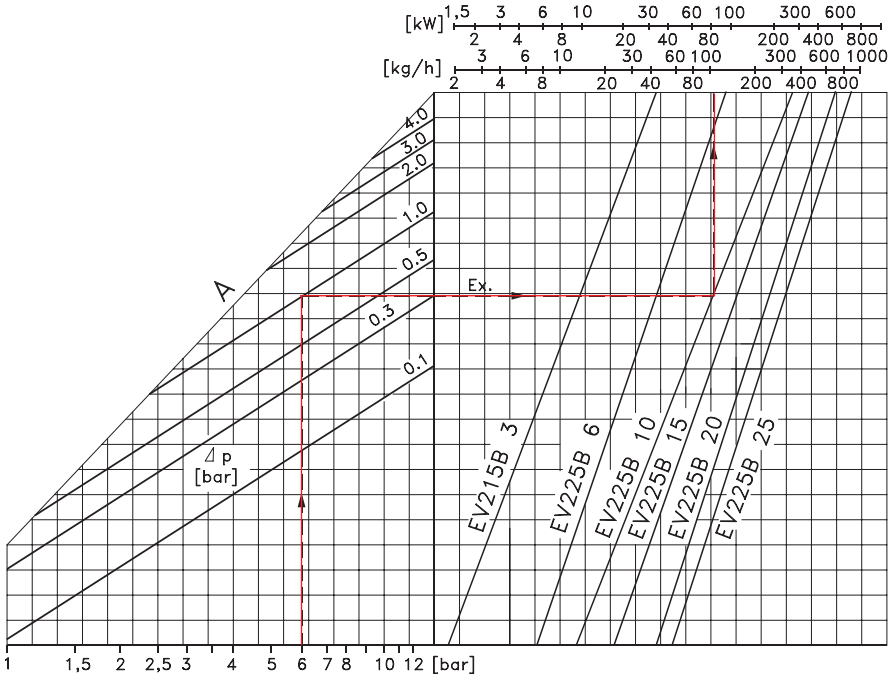
Spare part kits



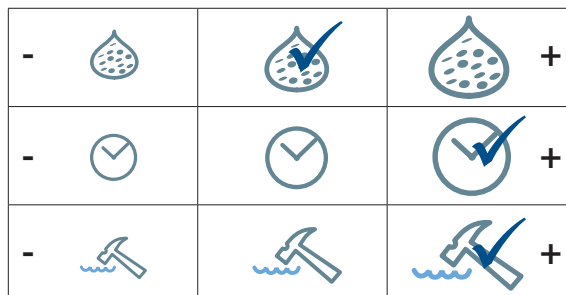
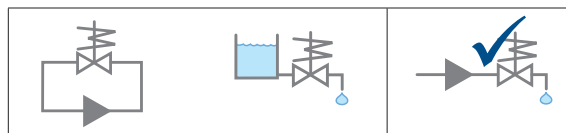
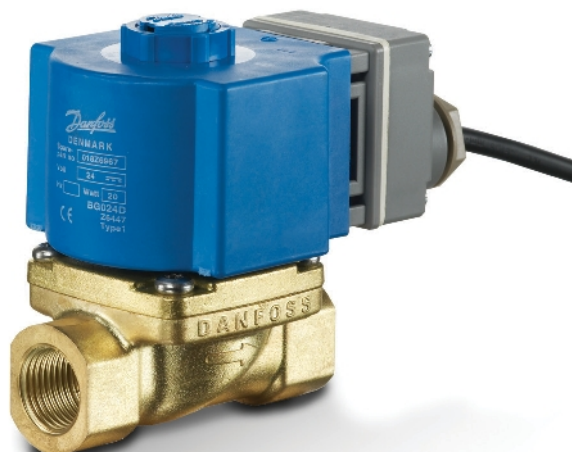
Application	Seal material	Code number
EV225 6-10	PTFE	032U3171
EV225 15	PTFE	032U3172
EV225 20-25	PTFE	032U3173

Capacity diagram for EV225B

Example for air:
 Capacity for EV225B
 at differential pressure of 1 bar:
 Approx. 100 kg/h / 80kW



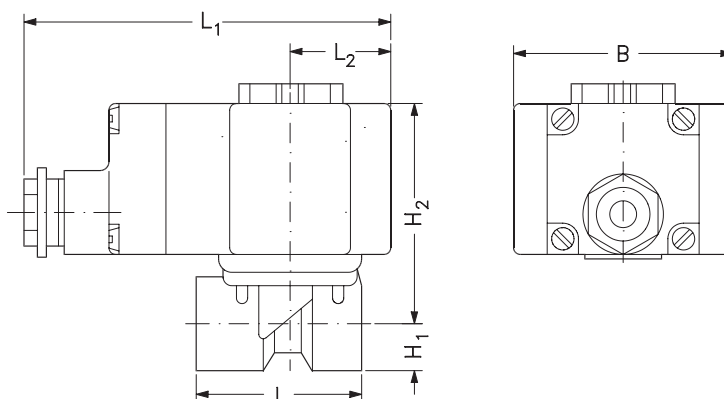
EV260B servo-operated 2-way proportional solenoid valves



EV260B is a proportional (modulating) servo-operated 2-way solenoid valve program with connections from 1/4" to 3/4". Through stepless regulation of the coil current, the armature can be placed in any position in the armature tube, thus setting the valve to any position between completely closed and completely open. The valve is fully open when the coil current has reached its maximum value.

- Proportional (modulating)
- For stepless flow regulation
- 2-way
- Servo-operated
- DN 6 - DN 20
- Ambient temperature: +50°C
- Short reaction time
- Linear characteristic throughout the regulation range
- Closes on power failure (fail-safe function)
- IP 67 coil enclosure
- 24 V dc supply voltage

Dimensions and weight:



Type / orifice size	L mm	L ₁ mm	L ₂ mm	H ₁ mm	H ₂ mm	B mm	Weight without signal converter kg	Weight with signal converter kg
EV260B 6	62	112 ¹⁾	30	13	71	68	1.02	1.22
EV260B 10	62	112 ¹⁾	30	13	71	68	1.02	1.22
EV260B 15	81	112 ¹⁾	30	15	74	68	1.17	1.37
EV260B 20	98	112 ¹⁾	30	18	79	68	1.71	1.91

1) With the BM and the BL coil the measurement is 128 mm

EV260B proportional valve, brass, NC



Type	Connection	Kv m ³ /h	Seal material	Medium water °C	Differential pressure bar	Code number
EV260B 6	G 1/4	0.8	PTFE	-10 → 80	0.5 → 10	032U8052
EV260B 6	G 3/8	0.8	PTFE	-10 → 80	0.5 → 10	032U8053
EV260B 10	G 3/8	1.3	PTFE	-10 → 80	0.5 → 10	032U8054
EV260B 10	G 1/2	1.3	PTFE	-10 → 80	0.5 → 10	032U8055
EV260B 15	G 1/2	2.1	PTFE	-10 → 80	0.5 → 10	032U8056
EV260B 20	G 3/4	5	PTFE	-10 → 80	0.5 → 10	032U8057

Coils for EV260B



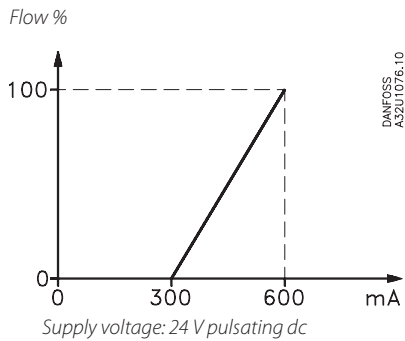
Voltage V dc	BK coil 300-600 mA 018Z6987	BM coil 0-10 V 018Z0290	BL coil 4-20 mA 018Z0291
24	IP 67 terminal box fitted as standard	IP 67 terminal box fitted as standard	IP 67 terminal box fitted as standard

Spare part kits for EV260B

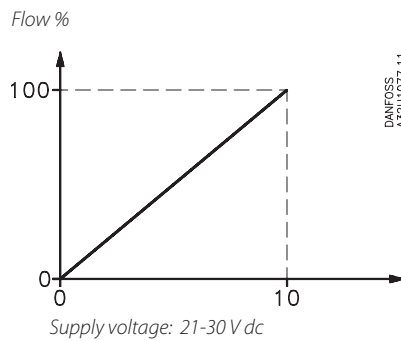


Application	Seal material	Code number
EV260B 6	PTFE	032U8039
EV260B 10	PTFE	032U8040
EV260B 15	PTFE	032U8041
EV260B 20	PTFE	032U8042

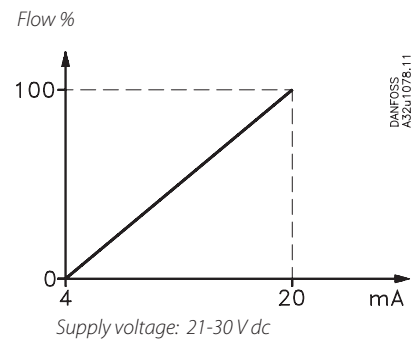
Signal flow characteristics for EV260B



Coil type BK. Without signal converter
The basic version consists of a valve with a coil for pulsating direct current. The supply voltage of 24V DC can be established with full-wave rectified alternating current. The valve begins to open at a coil current of approx. 300 mA and is fully open at a coil current of approx. 600 mA. The ration between coil current and flow between the two outer points is directly proportional.



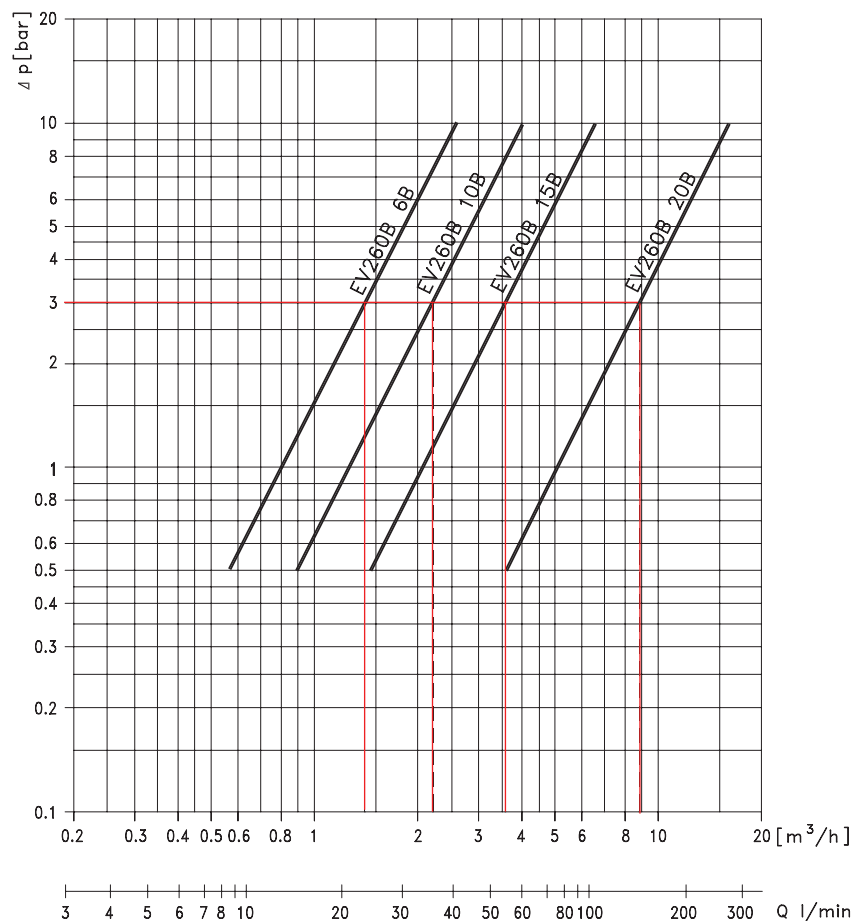
Coil type BM. With signal converter and 0-10 V pilot signal.
The ration between pilot signal and flow is directly proportional throughout the regulation range.



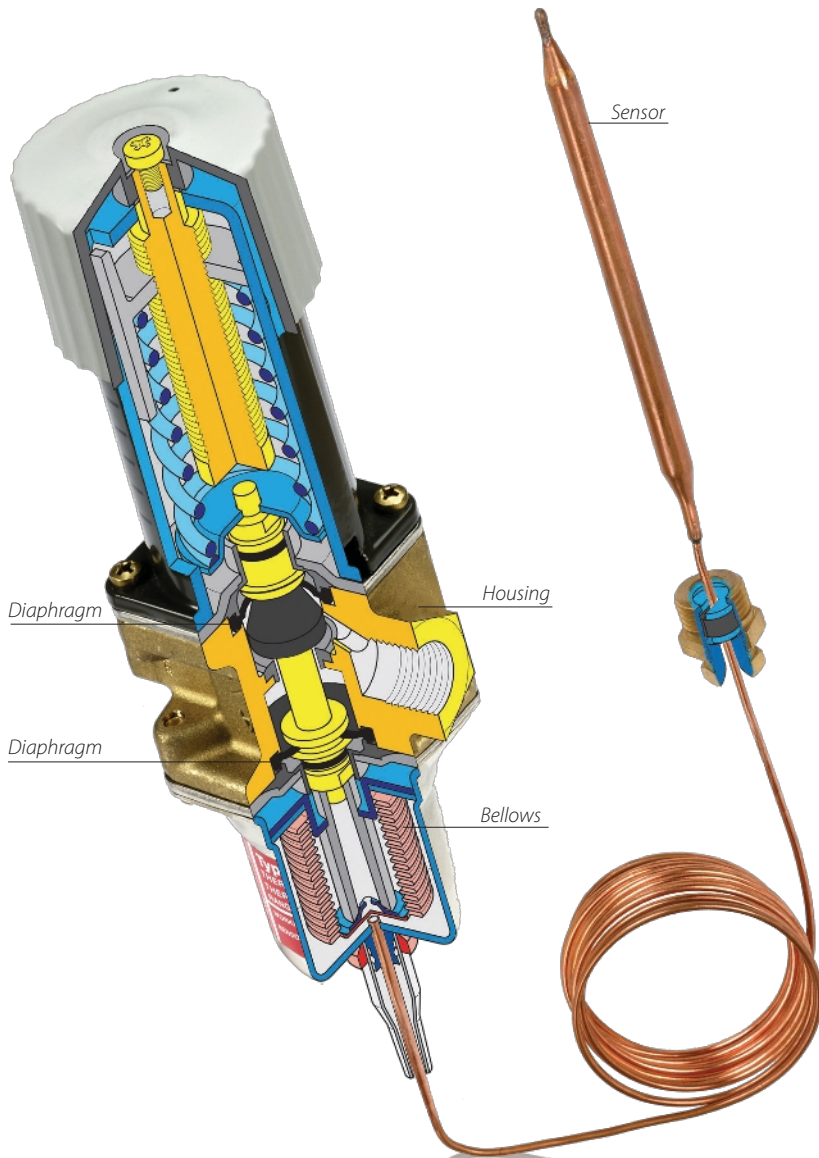
Coil type BL. With signal converter and 4-20 mA pilot signal.
The ration between pilot signal and flow is directly proportional throughout the regulation range.

Capacity diagram for EV260B

For water at fully opened valve
Example: Differential pressure of 3 bar:
EV260B 6 B: Appr. 1.4 m³/h
EV260B 10 B: Appr. 2.2 m³/h
EV260B 15 B: Appr. 3.6 m³/h
EV260B 20 B: Appr. 8.7 m³/h



The 'fit and forget' AVTA thermostatic valve



A self-acting thermostatic valve, the AVTA controls the temperature in cooling water applications. Often referred to as the 'fit and forget' valve due to its proven reliability, the AVTA is easy to install and functions without electrical power.

Self-acting - no electricity required

The AVTA does not require electricity to function because a temperature-dependent pressurised charge or vapour charge provides accurate flow control based on the sensor temperature. And because it needs no power supply, it keeps working as long as the coolant is pressurised.

Exact temperature control

Designed for low hysteresis, the hermetically-sealed thermostatic element consists of a cylindrical sensor connected to a bellows with a capillary tube.

Dirt resistant

The force-balanced design prevents particles from adhering to the large valve opening. But if dirt does become lodged in the valve, the sensor simply detects that more cooling water is needed and the valve opens wider to allow more water to pass and dislodge the particles.

Insensitive to pressure

Pressure equalising diaphragms ensure reliable function across the entire pressure range – from zero to ten bar pressure – by balancing the forces on the bellows and setting sections. And with reinforced EPDM diaphragms, the valve can take up to 25 bar pressure.

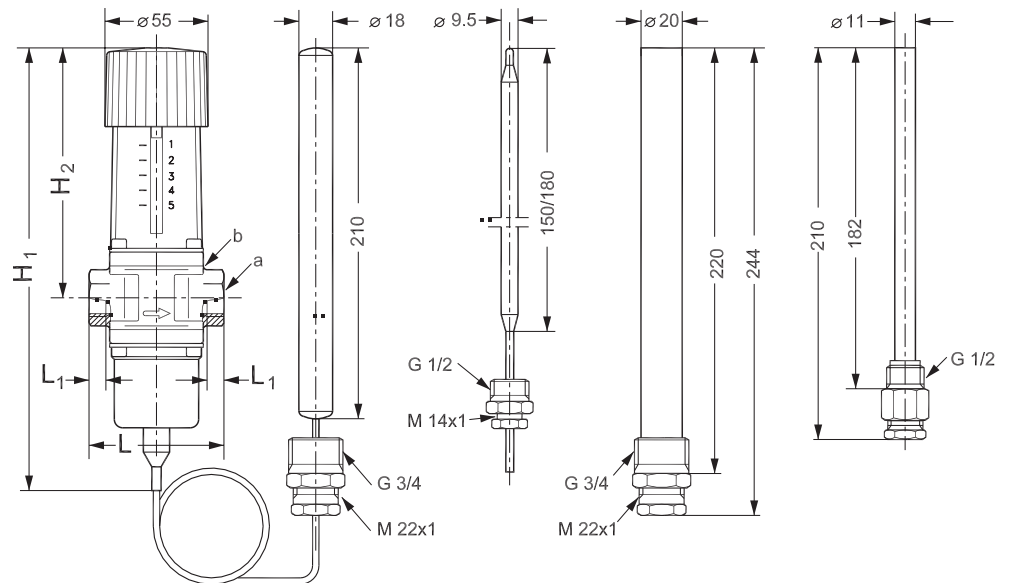
AVTA thermostatic valves for industrial cooling applications



AVTA thermostatic valves are widely used for temperature control in many different sorts of equipment and installations where cooling is required.

- Self-acting thermostatic valves for accurate cooling flow control based on sensor temperature
- Capillary sensor with adsorption charge, mass charge or universal charge, depending on application
- Open on rising temperature
- Brass or stainless steel valve body
- For extremely aggressive media, also available in titanium (please contact Danfoss)

Dimensions and weight:




All dimensions in millimetres

Brass Type	H ₁ mm	H ₂ mm	L mm	L ₁ mm	a	b mm	Weight kg
AVTA 10	240	133	72	14	G 3/8	27	1.45
AVTA 15	240	133	72	14	G 1/2	27	1.45
AVTA 20	240	133	90	16	G 3/4	32	1.50
AVTA 25	240	138	95	19	G 1	41	1.65


AVTA thermostatic valve

Adsorption charge. Brass valve body




Type	Connection	Temperature setting range °C	Max sensor temperature °C	Kv m ³ /h	Sensor dimensions Ø x L mm	Capillary tube, length m	Code number
AVTA 10	G 3/8	10 → 80	130	1.4	9.5 x 150	2.3	003N1144
AVTA 15	G 1/2	10 → 80	130	1.9	9.5 x 150	2.3	003N0107
AVTA 20	G 3/4	10 → 80	130	3.4	9.5 x 150	2.3	003N0108
AVTA 25	G 1	10 → 80	130	5.5	9.5 x 150	2.3	003N0109

Universal charge. Brass valve body




Type	Connection	Temperature setting range °C	Max sensor temperature °C	Kv m ³ /h	Sensor dimensions Ø x L mm	Capillary tube, length m	Code number
AVTA 10	G 3/8	0 → 30	57	1.4	18 x 210	2	003N1132
AVTA 15	G 1/2	0 → 30	57	1.9	18 x 210	2	003N2132
AVTA 20	G 3/4	0 → 30	57	3.4	18 x 210	2	003N3132
AVTA 25	G 1	0 → 30	57	5.5	18 x 210	2	003N4132
AVTA 10	G 3/8	25 → 65	90	1.4	18 x 210	2	003N1162
AVTA 15	G 1/2	25 → 65	90	1.9	18 x 210	2	003N2162
AVTA 20	G 3/4	25 → 65	90	3.4	18 x 210	2	003N3162
AVTA 25	G 1	25 → 65	90	5.5	18 x 210	2	003N4162
AVTA 10	G 3/8	50 → 90	125	1.4	18 x 210	2	003N1182
AVTA 15	G 1/2	50 → 90	125	1.9	18 x 210	2	003N2182
AVTA 20	G 3/4	50 → 90	125	3.4	18 x 210	2	003N3182
AVTA 25	G 1	50 → 90	125	5.5	18 x 210	2	003N4182

Mass charge. Brass valve body



Type	Connection	Temperature setting range °C	Max sensor temperature °C	Kv m ³ /h	Sensor dimensions Ø x L mm	Capillary tube, length m	Code number
AVTA 15	G 1/2	0 → 30	57	1.9	9.5 x 180	2	003N0042
AVTA 20	G 3/4	0 → 30	57	3.4	9.5 x 180	2	003N0043
AVTA 15	G 1/2	25 → 65	90	1.9	9.5 x 180	2	003N0045
AVTA 20	G 3/4	25 → 65	90	3.4	9.5 x 180	2	003N0046
AVTA 25	G 1	25 → 65	90	5.5	9.5 x 180	2	003N0047

Adsorption charge. Stainless steel valve body



Type	Connection	Temperature setting range °C	Max sensor temperature °C	Kv m ³ /h	Sensor dimensions Ø x L mm	Capillary tube, length m	Code number
AVTA 15	G 1/2	10 → 80	130	1.9	9.5 x 150	2.3	003N2150
AVTA 20	G 3/4	10 → 80	130	3.4	9.5 x 150	2.3	003N3150
AVTA 25	G 1	10 → 80	130	5.5	9.5 x 150	2.3	003N4150

For all types: Media temperature range: -25 → 130°C.

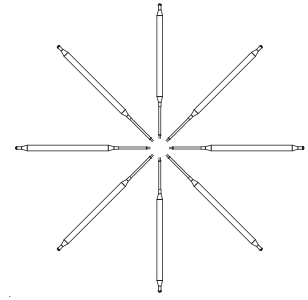
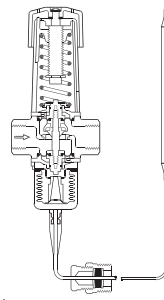
For higher Kv values (larger capacities) and other requirements please contact Danfoss.

Charges

Adsorption charge

The charge consists of active carbon and CO² which is adsorbed on falling sensor temperature and thereby produce pressure changes in the element.

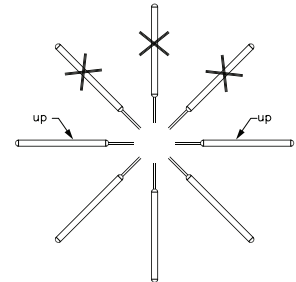
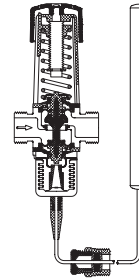
The sensor can be installed in any position as far as orientation and temperature are concerned.



Universal charge

The charge is a mix of liquid and gas where the liquid surface (sensing point) is always inside the sensor.

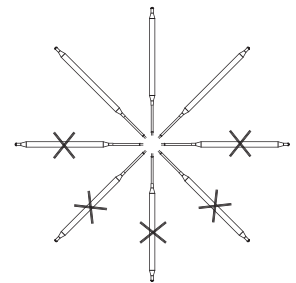
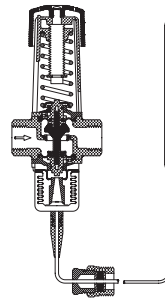
The sensor can be installed colder or warmer than the valve, and oriented as shown.



Mass charge

The charge is a mix of liquid and gas.

Due to the volumetric conditions the sensor must be installed warmer than the valve, since the liquid surface (sensing point) must be in the sensor. Orientation as shown.



Spare parts and accessories for AVTA

Service sensor elements



Sensor size Ø x L mm	Cap. tube length m	Charge			Temperature range °C	Code number
		Adsorption	Universal	Mass		
18 x 210	2		✓		0 → 30	003N0075
18 x 210	2		✓		25 → 65	003N0078
18 x 210	2		✓		50 → 90	003N0062
9.5 x 180	2			✓	25 → 65	003N0091
9.5 x 150	2	✓			10 → 80	003N0278

Sensor pockets



Sensor size Ø x L mm	Connection standard	Connection size inch	Sensor pocket insertion mm	Pocket material		Code number
				Brass	Stainless steel	
9.5x180 / 9.5x150	ISO 228-1	1/2	182	✓		017-436766
9.5x180 / 9.5x150	ISO 7-1	1/2	182		✓	003N0196
18x210	ISO 228-1	3/4	220	✓		003N0050
18x210	ISO 7-1	3/4	220		✓	003N0192

Capillary tube glands



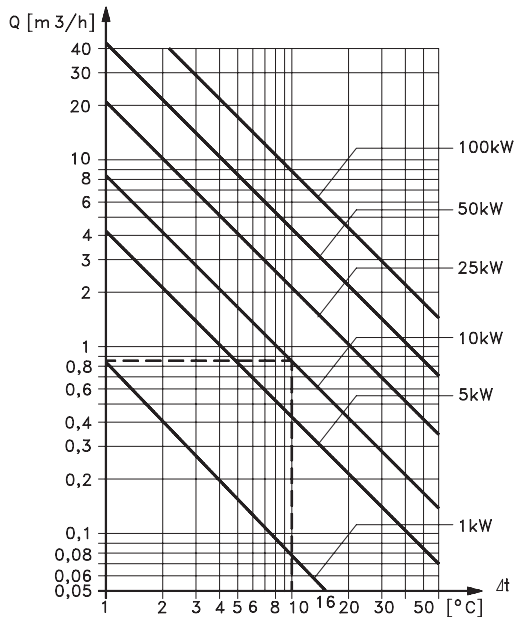
Sensor size Ø x L mm	Connection standard	Connection size inch	Material	Charge		Code number
				Adsorption / Mass	Universal	
9.5x180 / 9.5x150	ISO 228-1	G 1/2	Brass	✓		017-422066
18x210	ISO 228-1	G 3/4	Brass		✓	003N0155

Bracket

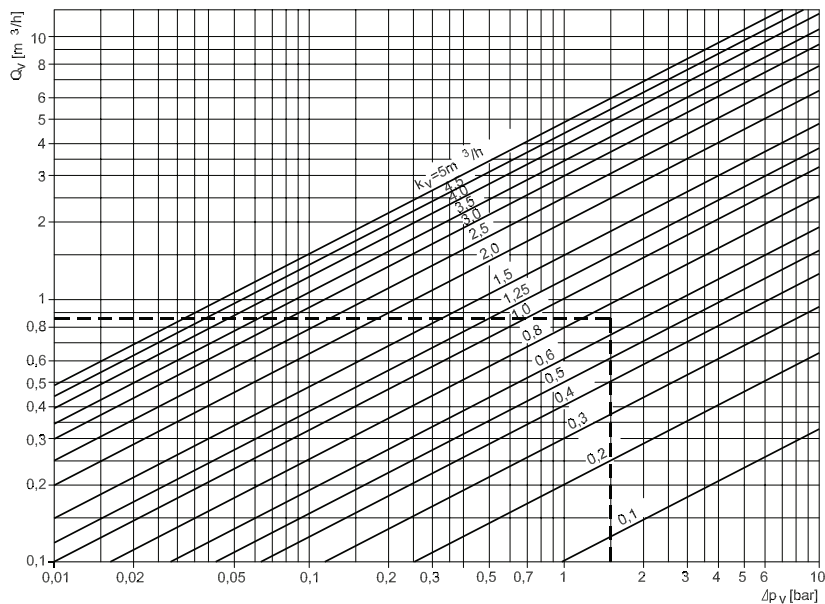


Type	Material	Code number
Bracket	Zinc plated steel	003N0388

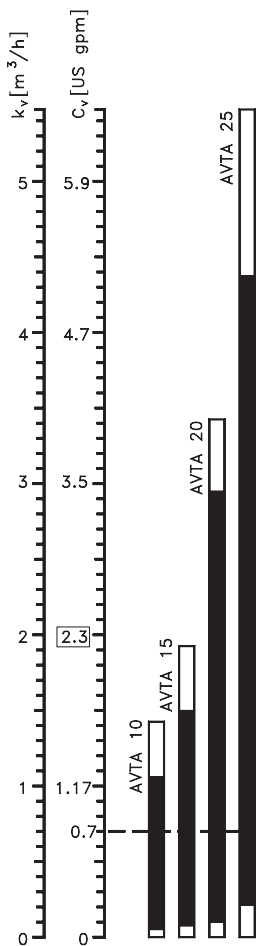
AVTA thermostatic valve - sizing



Heating or cooling with water.
 Example: Necessary cooling output 10 kW with $\Delta t = 10^{\circ}C$.
 Required flow 0.85 m³/h.

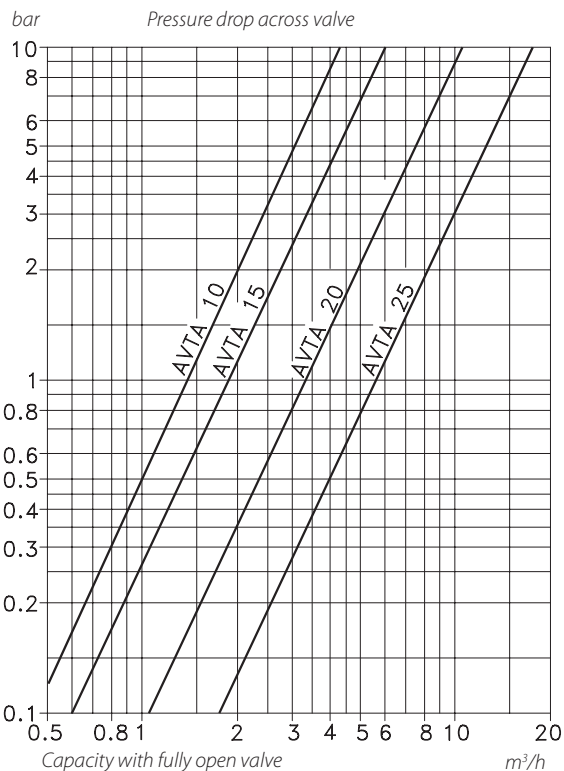


Relation between water quantity and pressure drop across valve.
 Example: Flow 0.85 m³/h with a pressure drop of 1.5 bar.
 The k_v value becomes 0.7 m³/h.



Nomogram showing the valve k_v range.
 k_v values are always given for water flow in m³/h with a pressure drop Δp of 1 bar.
 The valve should be selected so that the necessary k_v value lies in the middle of the regulation range.
 Example: AVTA 10 and 15 are the most suitable for a k_v value of 0.7

Valve flow quantity in fully open position, as a function of pressure drop Δp .
 With fully open valve the differential pressure should be around 50% of the total pressure drop across the cooling system.



BVTS thermostatic valve for bio-mass boilers



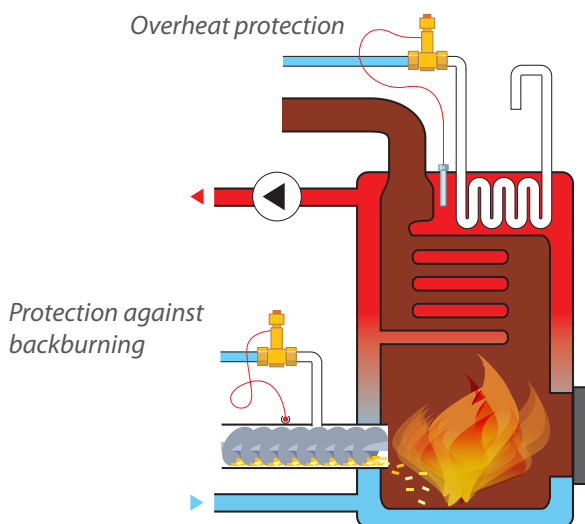
The BVTS valve is designed for protection of bio-mass boilers, stoves and solar systems. The valve has two functions:

Overheat protection: If the water temperature exceeds 95° C the valve opens and hot water is discharged from the boiler or the built-in heat exchanger.

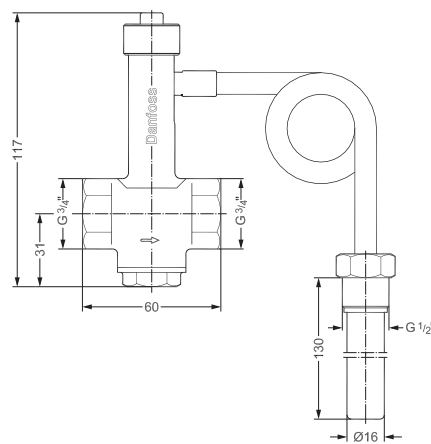
Protection against backburning: If the temperature in the fuel feed system rises above 95° C the valve will dispense water to extinguish fire.

- Needs no auxiliary power supply – self acting
- Opens on rising sensor temperature
- Can be mounted on cold water inlet or hot water outlet of the boiler
- Can be mounted in any position
- Brass and other wetted materials suitable for drinking water
- Integrated sensor systems and valve body to eliminate risk of setting change
- Double sensor to ensure fail-safe operation
- Capillary tube protected by steel sheath
- Space saving compact design

Bio-mass boiler application:



Dimensions and weight:



Weight app: 0.7 kg

All dimensions in millimetres

BVTS thermostatic valves

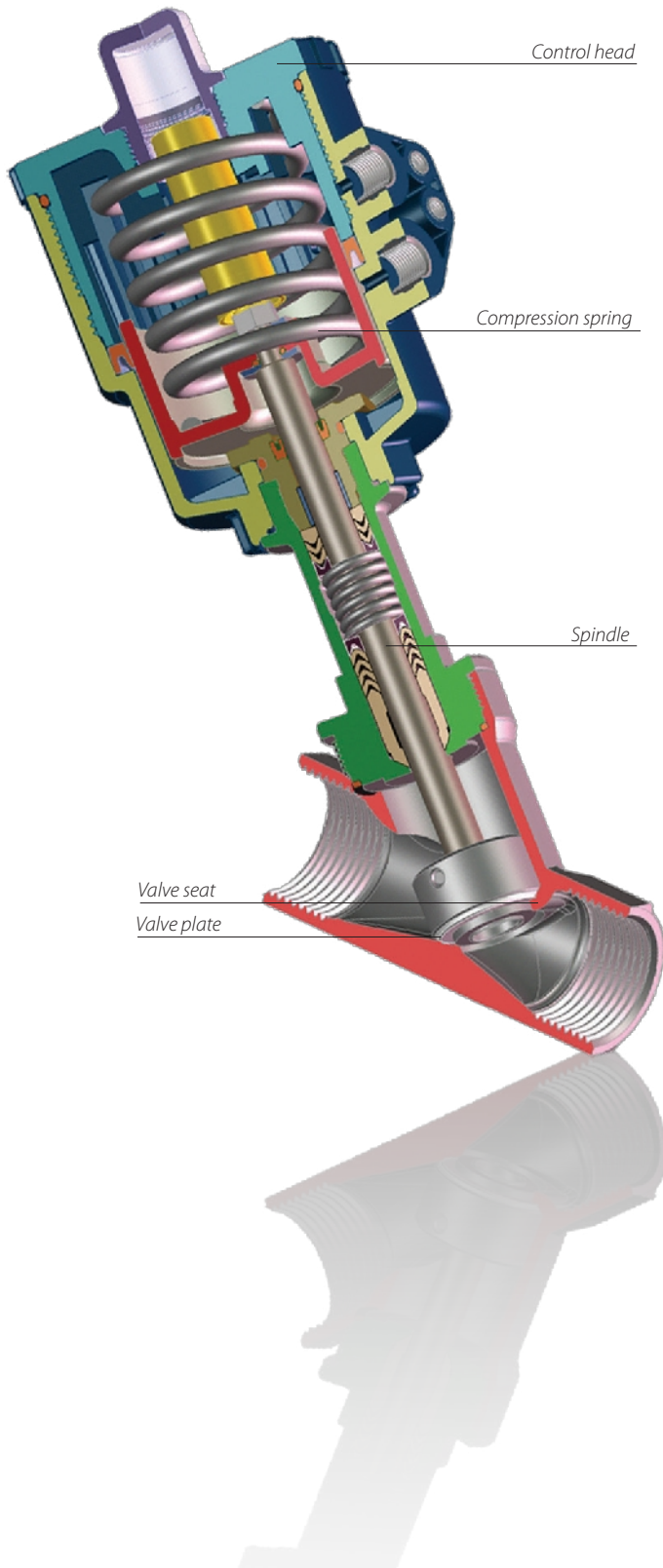
Type	Kv m ³ /h	Capillary tube length m	Max. working pressure bar	Sensor size (Ø x L) mm	Fluid temperature °C	Code number
BVTS	2.6	1.3	10	14.5 x 130	5 → 110	003N3300
BVTS	2.6	4	10	14.5 x 130	5 → 110	003N3301



Opening temperature: 95° C. For other opening temperatures please contact Danfoss.

Approvals: CE marked according to PED 97/23/EC, category IV, safety equipment, EN 14597 (DIN 3440)

AV210 angle-seat valve for high capacity applications



The AV210 can operate at very high medium temperatures and viscosities, and can withstand dirt particles in the medium.

Wide temperature range

Known as the 'trouble-shooter', the AV210 is made from FKM, PTFE, and gun metal (RG5/bronze) or stainless steel (AISI 316), so it can withstand temperatures as low as -30°C and as high as 180°C.

Dirt resistant

Mounted on a spindle, the resilient internal valve seat is made of AISI 316, a high grade corrosion-resistant stainless steel. And the PTFE valve plate gives excellent resistance to dirt particles in the medium.

Insensitive to media pressure and viscosity

Made for air, neutral gases and fresh water applications, the valve is designed to operate with media viscosities up to 400cSt and 10 bar pressure – and it is not affected by low flow rates or pressure loss across the opening.

Tight fit even at high differential pressures

As the valve seat is pressurised at the valve opening, the standard AV210 valve closes against the flow. When closed the spindle is not exposed to the medium, significantly reducing water hammer. The AV210 can also close with the flow if required.

High capacity

For optimum capacity, the special control head design and high closing spring allows the valve plate to lift higher than the usual 25 percent of the valve diameter.

Modular design

Available in five sizes, it is easy to find an AV210 to suit your size and pressure range requirements.

Accessories

For even higher performance and versatility, the AV210 can be fitted with the following accessories:

- Manual override
- Flow limiters
- Valve position indicators

AV210 angle seat valves



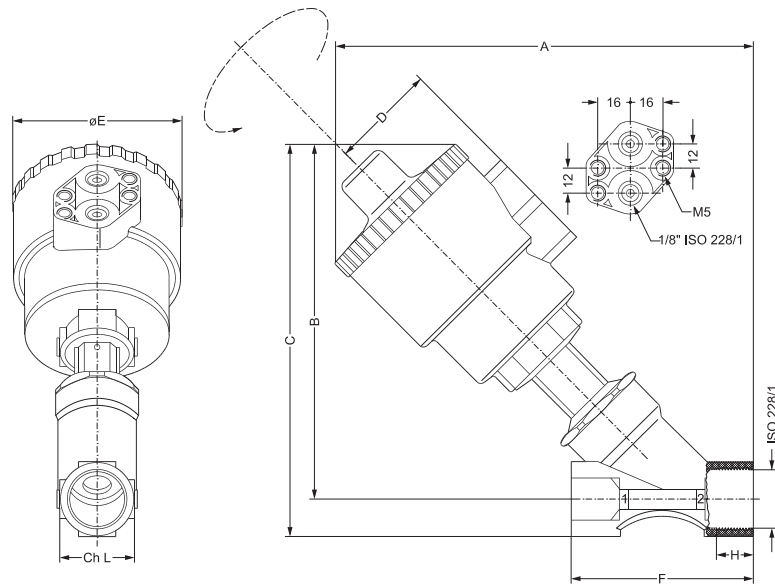
AV210 is an externally operated angle seat valve for use in demanding industrial applications. The valve can operate at very high medium temperatures and viscosities, and is insensitive to dirt particles in the medium; thus, it is often called a “trouble-shooter” valve. The valve is available in gun metal (RG5/bronze) and stainless steel (AISI316).

- High capacity basic program
- 2/2-way
- Angle-seated piston
- NC version: Both closing against and withflow direction
- NO version: Closing against the flow direction
- Bronze or stainless steel valve body

Dimensions and weight:

Namour connection not available in 40 mm control head

All dimensions in millimeters



Stainless Steel / Bronze RG5

Type / orifice size	Conne- ction ISO 228/1	Diameter control head mm	A	B	C	D	ØE	F	H	ch.L	Weight kg
15	G 3/8	40	190/144	156/121	169/134	44/35	70/61	85/65	12/12	25/27	1.1
15	G 3/8	50	-/163	-/140	-/153	-/44	-/70	-/65	-/12	-/27	1.1
15	G 1/2	40	-/144	-/121	-/134	-/35	-/61	-/65	-/13	-/27	1
15	G 1/2	50	190/163	156/140	169/153	44/44	70/70	85/65	15/13	25/27	1
20	G 3/4	50	195/173	160/147	176/163	44/44	70/70	95/75	16.3/14.3	31/27.5	1.2
20	G 3/4	63	213/191	178/165	194.4/181	50.5/50.5	84.4/84.4	95/75	16.3/14.3	31/27.5	1.2
25	G 1	63	219/206	182/176	202/196	50.5/50.5	84.4/84.4	105/90	19.5/17.5	38/41	1.6
25	G 1	90	259/246	222/216	242/236	66.2/66.2	116.4/116.4	105/90	19.5/17.5	38/41	1.7
32	G 1 1/4	90	266/255	226/220	249/245	66.2/66.2	116.4/116.4	120/110	19/19	47/50	3
40	G 1 1/2	90	271/270	230/235	258/264	66.2/66.2	116.4/116.4	130/120	18/18	54/58	3.4
40	G 1 1/2	110	307/306	266/271	294/300	77.4/77.4	140.6/140.6	130/120	18/18	54/58	4
50	G 2	110	321/316	276/276	310/311	77.4/77.4	140.6/140.6	150/150	20/20	66/70	5.3

AV210 angle seat valves, PTFE seal material, NC

Closing against flow recommended



Type	Connection	Kv m ³ /h	Body material		Differential pressure bar	Control pressure bar	Control head diameter Ø mm	Code number
			Bronze RG5	Stainless steel				
AV210A 15	G 3/8	4.5	✓		0 → 16	4.2 → 10	40	042N4400
AV210B 15	G 3/8	4.9	✓		0 → 16	4 → 10	50	042N4401
AV210B 15	G 3/8	4.9		✓	0 → 16	4 → 10	50	042N4450
AV210A 15	G 1/2	5.3	✓		0 → 16	4.2 → 10	40	042N4402
AV210B 15	G 1/2	5.7	✓		0 → 16	4 → 10	50	042N4403
AV210B 15	G 1/2	5.7		✓	0 → 16	4 → 10	50	042N4451
AV210B 20	G 3/4	10	✓		0 → 10	4 → 10	50	042N4404
AV210B 20	G 3/4	10		✓	0 → 10	4 → 10	50	042N4452
AV210C 20	G 3/4	10		✓	0 → 16	4 → 10	63	042N4453
AV210C 25	G 1	20	✓		0 → 11	4 → 10	63	042N4406
AV210D 25	G 1	20	✓		0 → 16	4 → 8	90	042N4407
AV210C 25	G 1	20		✓	0 → 11	4 → 10	63	042N4454
AV210D 25	G 1	20		✓	0 → 16	4 → 8	90	042N4455
AV210D 32	G 1 1/4	29	✓		0 → 14	4 → 8	90	042N4408
AV210D 32	G 1 1/4	29		✓	0 → 14	4 → 8	90	042N4456
AV210D 40	G 1 1/2	46	✓		0 → 11	4 → 8	90	042N4409
AV210D 40	G 1 1/2	46		✓	0 → 11	4 → 8	90	042N4457
AV210E 50	G 2	67	✓		0 → 10	4 → 8	110	042N4411
AV210E 50	G 2	67		✓	0 → 10	4 → 8	110	042N4459

AV210 angle seat valves, PTFE seal material, NO

Closing against flow recommended



Type	Connection	Kv m ³ /h	Body material		Differential pressure bar	Control pressure bar	Control head diameter Ø mm	Code number
			Bronze RG5	Stainless steel				
AV210B 15	G 3/8	4.9	✓		0 → 16	5 → 10	50	042N4430
AV210B 15	G 3/8	4.9		✓	0 → 16	5 → 10	50	042N4480
AV210B 15	G 1/2	5.7	✓		0 → 16	5 → 10	50	042N4431
AV210B 15	G 1/2	5.7		✓	0 → 16	5 → 10	50	042N4481
AV210B 20	G 3/4	10	✓		0 → 16	5 → 10	50	042N4432
AV210B 20	G 3/4	10		✓	0 → 16	5 → 10	50	042N4482
AV210C 25	G 1	20	✓		0 → 16	5 → 10	63	042N4433
AV210C 25	G 1	20		✓	0 → 16	5 → 10	63	042N4483
AV210C 32	G 1 1/4	29	✓		0 → 16	6 → 10	63	042N4434
AV210C 32	G 1 1/4	29		✓	0 → 16	6 → 10	63	042N4484
AV210D 40	G 1 1/2	46	✓		0 → 16	5 → 10	90	042N4435
AV210D 40	G 1 1/2	46		✓	0 → 16	5 → 10	90	042N4485
AV210E 50	G 2	67	✓		0 → 16	5 → 10	110	042N4436
AV210E 50	G 2	67		✓	0 → 16	5 → 10	110	042N4486

* in case control pressure is reduced below 5 or 6 bar max. differential pressure will be reduced accordingly.

AV210 angle seat valves - accessories & spare parts

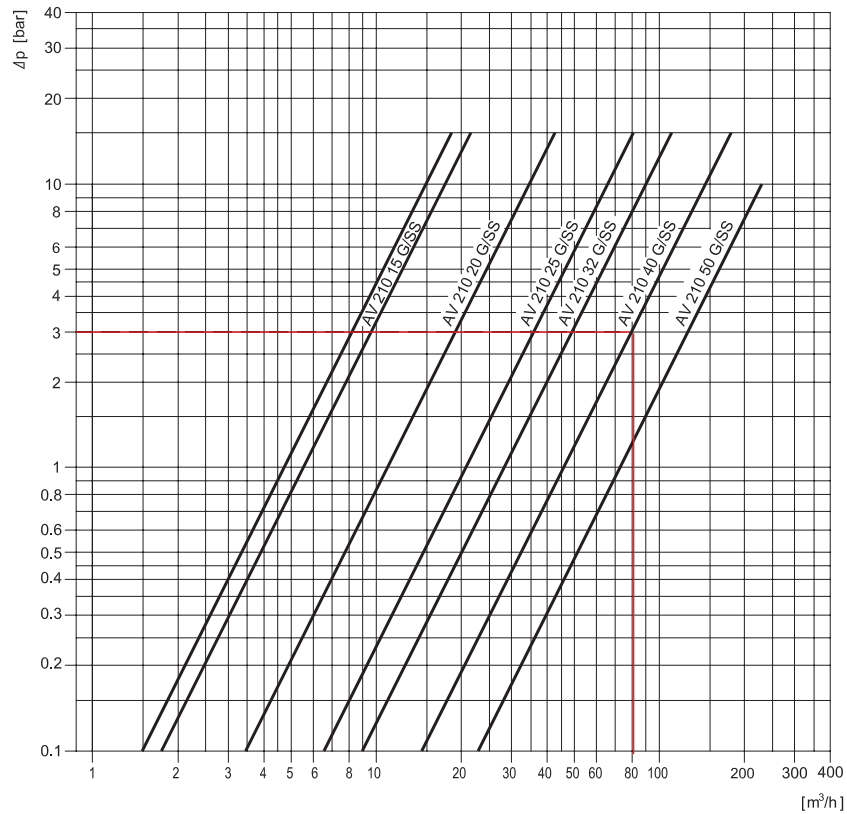
Position indicators. Voltage: Max 5A 250 Vac / 1A 250 Vdc

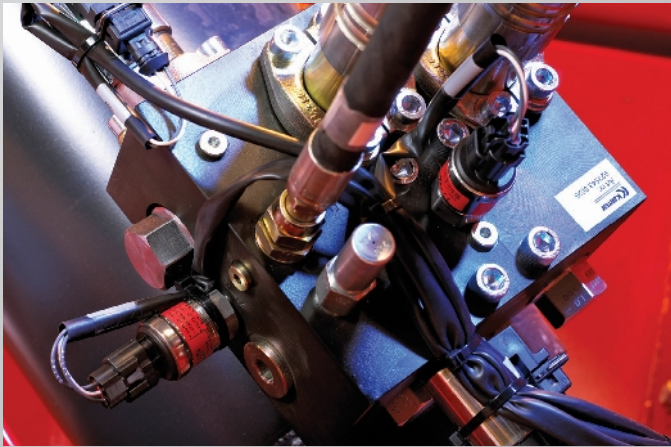


Enclosure	Control head diameter Ø mm	Code number
IP65	50	042N4820
IP65	63	042N4821
IP65	90	042N4822
IP65	110	042N4823

Capacity diagram, water

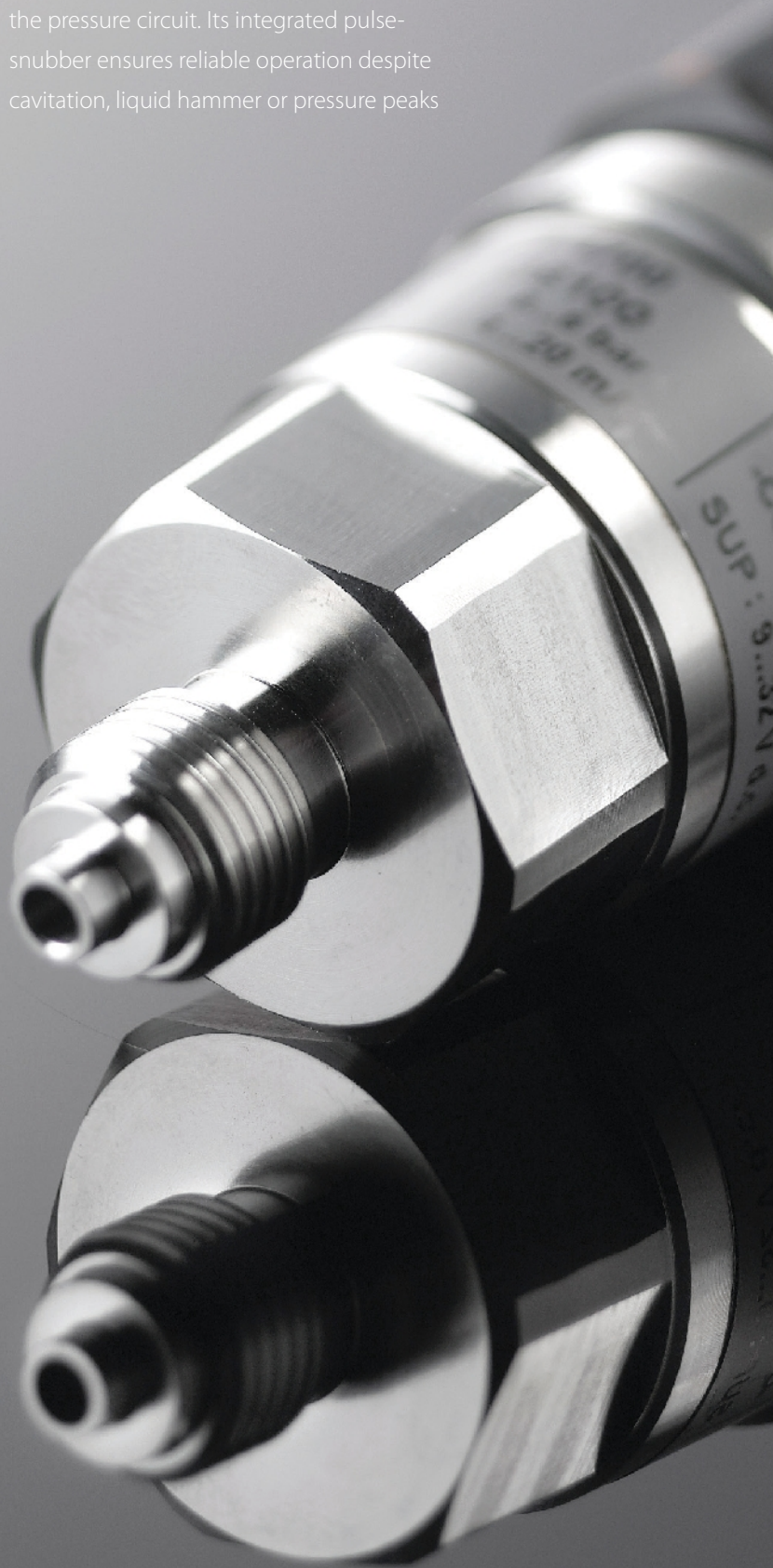
Example for water:
Capacity for AV 210 40 at
differential pressure of 3 bar:
Approx 80 m³/h





Safety application - tilt control - mobile hydraulic

An MBS 3050 pressure transmitter controls the pressure circuit. Its integrated pulse-snubber ensures reliable operation despite cavitation, liquid hammer or pressure peaks



Pressure transmitters

Industries

Transportation

Marine, Mobile Hydraulics and Railways

The increasing global focus on environmental and safety legislations calls for more control and automation. Danfoss accommodate this by optimising product functions and specifications, allowing you to comply with the new demands. Our wide transmitter range comprises solutions for:

- Marine equipment
- Mobile hydraulic equipment
- Railway equipment

Heating and sanitation

Sterilisers, Autoclaves,

Boiler and Boiler Room Equipment

Energy efficiency and safety are frequent challenges in heating and sanitation applications. The answer is highly reliable and accurate measurements, which is achieved by unique process control.

Machine and equipment

Industrial Hydraulics, Air Compressors, Water Pumps and Industrial Engines

Within machine and equipment the transmitter specifications depend on the specific application. Close cooperation with customers has allowed us to develop dedicated transmitter solutions for:

- Water pumps and air compressors
- Engines
- Industrial hydraulics

Energy

Wind Turbines and Electric Power

One of the most distinct global challenges now and in the future is how to produce energy in a both efficient and environmentally friendly way. In cooperation with some of the leading manufacturers, Danfoss has developed – and is continuously refining – solutions for:

- Wind turbines
- Gen sets

Pressure transmitters

in this catalogue



Type	Standard	MBS 3000	MBS 3200	MBS 3100	MBS 1900
	Pulse-snubber	MBS 3050	MBS 3250	MBS 3150	
Industries	Transportation				
	Heating and sanitation				
	Machine and equipment				
	Energy				
Sensor technology	Piezo resistive	Piezo resistive	Piezo resistive	Piezo resistive	
Accuracy FS (typ)	± 0.5%	± 0.5%	± 0.5%	± 1%	
Max. measuring range	600 bar 9,000 psi	600 bar 9,000 psi	600 bar 9,000 psi	25 bar 362 psi	
Output signal	4 - 20 mA and absolute voltage	4 - 20 mA and absolute voltage	4 - 20 mA	4 - 20 mA Ratiometric	
Medium temperature	-40 to 85° C -72 to 153° F 	-40 to 125° C -72 to 225° F 	-40 to 85° C -72 to 153° F 	0 to 80° C 32 to 176° F 	
Enclosure IP	IP 65 IP 67	IP 65 IP 67	IP 65 IP 67	IP 65	
Wetted parts material	AISI 316L	AISI 316L	AISI 316L	AISI 304/AISI 316	
Housing material	AISI 316L, PA 6.6	AISI 316L, PA 6.6	AISI 316L, PA 6.6	AISI 316L	
Zero point and span adjustment					
Marine approvals			•		
ATEX approvals	Zone 2	Zone 2	Zone 2	UL	
UL HazLoc	Class 1, Div. 2	Class 1, Div. 2	Class 1, Div. 2		

Railways and marine

Industrial hydraulics, air compressors, water pumps and industrial engines

Electric power and wind turbines

Boiler and boiler room equipment, sterilisers and autoclaves, mobile hydraulic



MBS1200
MBS1250



MBS1300
MBS1350



MBS 5100
MBS 5150



MBS 4510



EMP 2



Thin film

Thin film

Piezo
resistive

Piezo
resistive

Piezo
resistive

± 0.5%

± 0.5%

± 0.3%

± 0.5%

± 0.3%

2200 bar
32000 psi

2200 bar
32000 psi

600 bar
9,000 psi

25 bar
360 psi

400 bar
6,000 psi

4 - 20 mA
Voltage
Ratiometric

4 - 20 mA

4 - 20 mA

4 - 20 mA

-40 to 125° C
- 40 to 257° F



-40 to 125° C
- 40 to 257° F



-40 to 85° C
-72 to 153° F



-40 to 85° C
-72 to 153° F



-40 to 100° C
-72 to 180° F



IP 67

IP 67

IP 65
IP 67

IP 65
IP 67

IP 67

17-4PH

17-4PH

AISI 316L

AISI 316L

AISI316L

AISI 304 or plastic

AISI 304 or plastic

AISI 316L,
PA 6.6

AISI 316L,
PA 6.6

Al

•

•

•

•

Zone 2

Zone 2

Zone 2

Class 1,
Div. 2

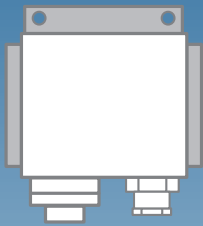
Class 1,
Div. 2

Sensor packages designed for customer needs

The extent of automation in both mobile and stationary applications has over the past decade increased dramatically and the demand for sensors and controls has increased accordingly.

Danfoss has followed this development closely, and as a result we now have a programme of products perfectly aligned to our customer's needs.

Box transmitter



Often used in applications requiring robust performance and enclosures. The Danfoss Box solution has been on the market for more than 30 years. It is still widely used within the marine sector

Block transmitter



Used in applications where space has become an issue. The Danfoss "Block" design is more compact compared to the traditional "Box" design. Where a combination of Sensor and valve is needed, Danfoss also offers the "Block" valve - MBV.

Cartridge transmitter

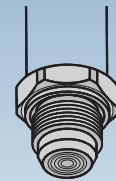


The cartridge transmitter can be mounted directly to the customer's system at the point of measurement, even where there is very little space. This eliminates the need for extra piping and joints.

Cartridge transmitter with flush diaphragm



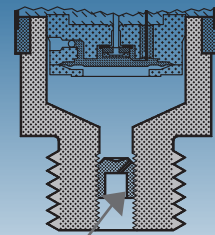
Often used in applications where measurements have to be made on highly viscous or slurry media. The front mounted diaphragm prevents blocking of the pressure port.



Front mounted diaphragm

Pulse-snubber

In applications where there is a risk of liquid hammering and cavitation it is recommended to select a transmitter with an integral pulse-snubber. The Danfoss pressure transmitters with a pulse-snubber are indicated with a "5" in the third type digit (example: MBS 1750).



Pulse-snubber

MBS transmitter made from expert know-how

A typical pressure transmitter has three general functional elements:

- The electronics
- The sensing element
- The packaging

It is the solution of each of these elements and the combination that determines the performance of the products. All Danfoss pressure transmitters are certified according to ISO 9001 and ISO 14001.

A variety of electrical connections available

1 Electronics

Danfoss MBS pressure transmitters are available with analogue electronic solutions and offer unique specifications in terms of:

- Accuracy
- Temperature range coverage
- EMI/RFI protection

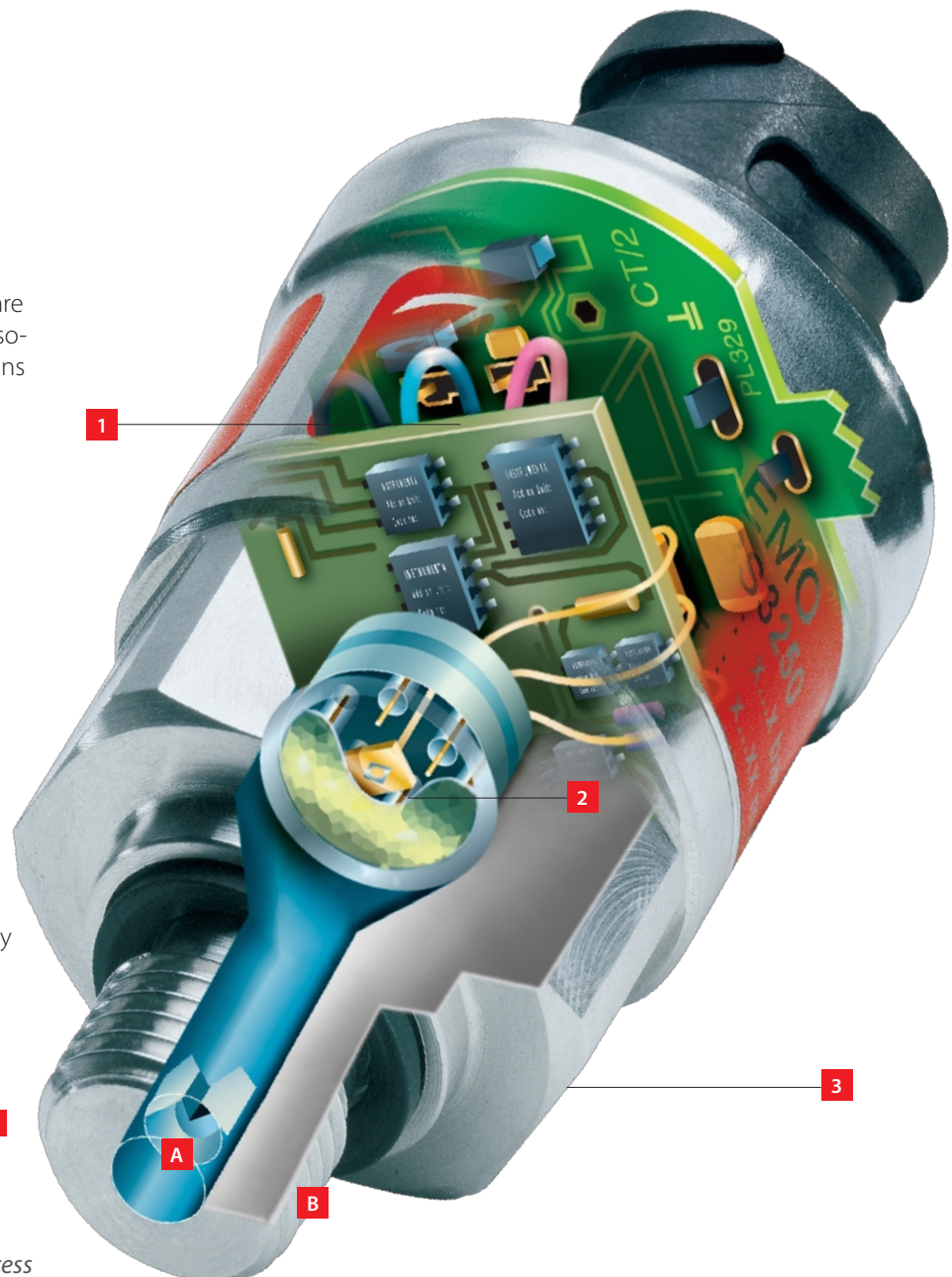
2 Sensing element

- Piezoresistive semi-conductor technology covering pressure ranges from 0 to 600 bar. This technology is available in absolute or gauge versions.

3 Packaging

The transmitter design offers long-life stability through:

- High shock and vibration stability
- High enclosure grade IP67
- Pulse restriction solution which prevents liquid hammering and cavitation. (pulse-snubber) **A**
- Wetted parts that are all made from stainless steel (AISI 316L) **B**

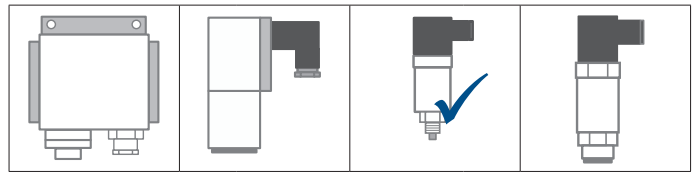


A variety of process connections available

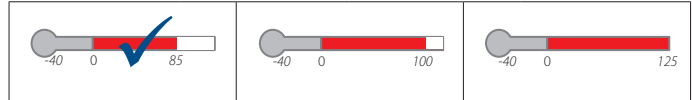
MBS 3000 compact pressure transmitter



Design



Temperature



The compact pressure transmitter MBS 3000 is designed for use in almost all industrial applications, and offers a reliable pressure measurement, even under harsh environmental conditions.

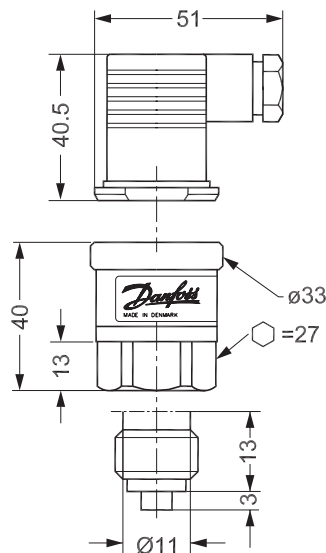
The flexible pressure transmitter programme covers a 4-20 mA output signal, absolute and gauge (relative) versions, measuring ranges from 0-1 to 0-600 bar and a wide range of pressure- and electrical connections.

Excellent vibration stability, robust construction, and a high degree of EMC/EMI protection equip the pressure transmitter to meet the most stringent industrial requirements.

- 4 - 20 mA output signal
- Operating temperature -40 to 85° C
- Measuring range 0 - 600 bar
- Standard pressure connection G 1/4A ISO 228/1
- For use in severe industrial environments such as pumps, compressors, pneumatics and water treatment

Dimensions:

Weight: 0.17 kg



All dimensions in millimetres

Approvals: CE, UL, UL Hazloc, Ex-N, Gost

MBS 3000 compact pressure transmitter

Accuracy: +/- 0.5% FS (typ.)

Media temperature: -40 to 85°C

Output signal: 4 to 20 mA

Electrical connections: EN175301-803A, Pg 9

Range: Flexible, different electrical and pressure connections available



Measuring range P_e ¹⁾ bar	Pressure connection G 1/4 EN 837	Code number
0 → 1	✓	060G1113
0 → 1.6	✓	060G1429
0 → 2.5	✓	060G1122
0 → 4	✓	060G1123
0 → 6	✓	060G1124
0 → 10	✓	060G1125
0 → 16	✓	060G1133
0 → 25	✓	060G1430
0 → 40	✓	060G1105
0 → 60	✓	060G1106
0 → 100	✓	060G1107
0 → 160	✓	060G1112
0 → 250	✓	060G1111
0 → 400	✓	060G1109
0 → 600	✓	060G1110

¹⁾ Gauge / relative

Spare parts and accessories for MBS 3000

Plug



Description	Code number
EN 175301-803-A, Pg 9 plug	060G0008
EN 175301-803-A, Pg 11 plug	060G0007
EN 175301-803-A, plug with 5 m cable	060G1034

Plug in display

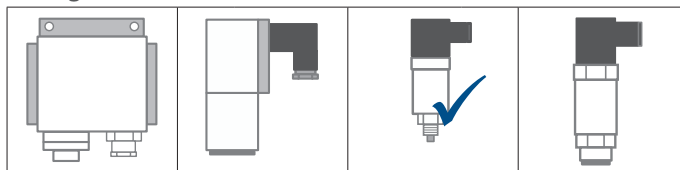


Type	Description	Code number
MBD 1000	Microprocessor controlled plug-in display	060G2850

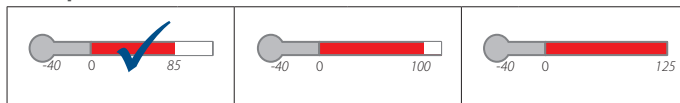
MBS 3050 compact pressure transmitters with pulse snubber



Design



Temperature



The compact heavy duty pressure transmitter MBS 3050 is designed for use in hydraulic applications with severe medium influences like cavitation, liquid hammer or pressure peaks and offers a reliable pressure measurement, even under harsh environmental conditions.

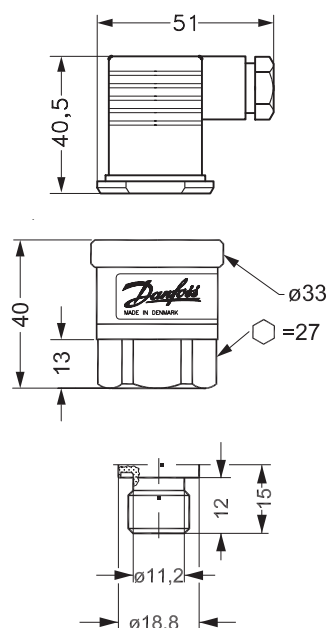
The flexible pressure transmitter programme covers a 4-20 mA output signal, absolute and gauge (relative) versions, measuring ranges from 0-1 to 0-600 bar and a wide range of pressure- and electrical connections.

Excellent vibration stability, robust construction, and a high

degree of EMC/EMI protection equip the pressure transmitter to meet the most stringent industrial requirements.

- 4 - 20 mA output signal
- Operating temperature -40 to 85° C
- Measuring range 0 - 600 bar
- Standard pressure connection DIN 3852 - G 1/4A
- With integrated pulse-snubber to protect against cavitation, liquid hammer or pressure peaks
- Especially suited for hydraulic applications

Dimensions and weight:



Weight: 0.17 kg

All dimensions in millimetres

Approvals: CE, UL, UL Hazloc, Ex-N, Gost

MBS 3050 compact pressure transmitters with pulse-snubber

Accuracy: +/- 0.5 % FS (typ.)

Media temperature: -40 to 85°C

Electrical connections: EN175301-803A, Pg 9

Range: Flexible, different electrical and pressure connections available



Pressure range P_e ¹⁾ bar	Output signal		Pressure connection:		Code number
	mA	V	G 1/4 DIN3852-E	G 1/4 DIN3852-G Special	
0 → 250	4 → 20		✓		060G3582
0 → 400	4 → 20		✓		060G3583
0 → 250		1 → 5	✓		060G3584
0 → 400		1 → 5	✓		060G3585
0 → 250		0 → 10	✓		060G3557
0 → 400		0 → 10	✓		060G3586
0 → 60	4 → 20			✓	060G1411
0 → 100	4 → 20			✓	060G1151
0 → 250	4 → 20			✓	060G1153
0 → 400	4 → 20			✓	060G1154

¹⁾Gauge / relative

Spare parts and accessories for MBS 3050

Plug in display



Type	Description	Code number
MBD 1000	Microprocessor controlled plug-in display	060G2850

Plug

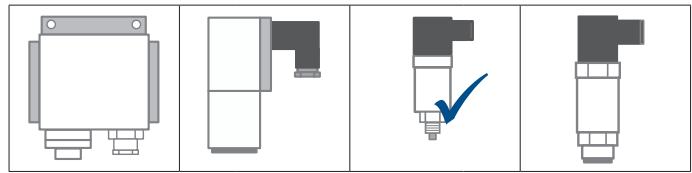


Description	Code number
EN 175301-803-A, Pg 9 plug	060G0008
En 175301-803-A, Pg 11 plug	060G0007
En 175301-803-A, plug with 5 m cable	060G1034

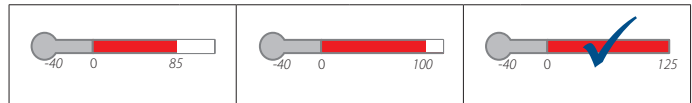
MBS 3200 compact pressure transmitters



Design



Temperature



The compact high temperature pressure transmitter MBS 3200 is designed for use in almost all industrial applications, and offers a reliable pressure measurement, even under harsh environmental conditions.

The flexible pressure transmitter programme covers 4-20 mA, 0-5 V, 1-5 V, 1-6 V and 0-10V output signal, absolute and gauge (relative) versions, measuring ranges from 0-1 to 0-600 bar and a wide range of pressure and electrical connections.

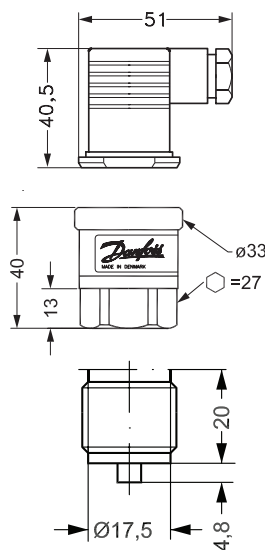
Excellent vibration stability, robust construction, a high degree

of EMC/EMI protection and a high operating temperature, equip the pressure transmitter to meet the most stringent industrial requirements.

- 4 - 20 mA, 0 - 5 V, 1 - 5 V, 1 - 6 V and 0 - 10 V output signal
- Operating temperature -40 to 125° C
- Measuring range 0 - 600 bar
- A wide range of pressure and electrical connections are available
- For use in severe industrial environments

Dimensions and weight:

Weight: 0.17 kg



All dimensions in millimetres

Approvals: CE, UL, UL Hazloc, Ex-N, Gost

MBS 3200 compact pressure transmitters

Accuracy: +/- 0.5% FS (typ.)
 Media temperature: -40 to 125 °C
 Output signal: 4 to 20 mA
 Electrical connections: EN175301-803A, Pg 9
 Range: Flexible - different electrical and pressure connections available



Pressure range P _e ¹⁾ bar	Pressure connection: G 1/2 EN 837	Code number
0 → 6	✓	060G1874
0 → 10	✓	060G1875
0 → 16	✓	060G1876
0 → 25	✓	060G1877

¹⁾ Gauge / relative

Spareparts and accessories for MBS 3200



Plug in display

Type	Description	Code number
MBD 1000	Microprocessor controlled plug-in display	060G2850

Plug



Description	Code number
EN 175301-803-A, Pg 9 plug	060G0008
En 175301-803-A, Pg 11 plug	060G0007
En 175301-803-A, plug with 5 m cable	060G1034

Adapters

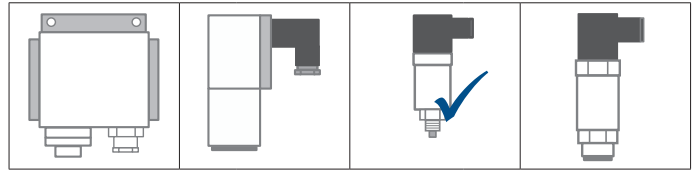


Description	Code number
G1/2 female to G1/4 male	060G1021
G1/2 female to G1/4 (DIN3852) male	060G1022
G1/2 female to G3/8 male	060G1023
G1/2 female to 1/4 flare male	060G1024
G1/2 with pulse-snubber	060G0252

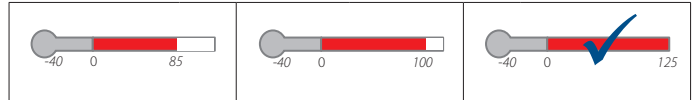
MBS 3250 compact pressure transmitters with pulse-snubber



Design



Temperature



The compact high temperature pressure transmitter MBS 3250 is designed for use in hydraulic applications with severe medium influences like cavitation, liquid hammer or pressure peaks and offers a reliable pressure measurement, even under harsh environmental conditions.

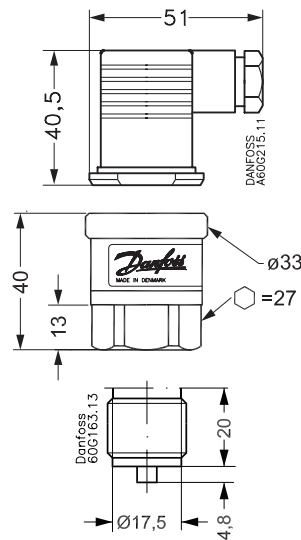
The flexible heavy duty pressure transmitter programme covers 4-20 mA, 0-5 V, 1-5 V, 1-6 V and 0-10V output signal, absolute and gauge (relative) versions, measuring ranges from 0-1 to 0-600 bar and a wide range of pressure- and electrical connections.

Excellent vibration stability, uniquely robust construction, a high degree of EMC/EMI protection and a high operating temperature equip the pressure transmitter to meet the most stringent industrial and hydraulic requirements.

- 4 - 20 mA, 0 - 5 V, 1 - 5 V, 1 - 6 V and 0 - 10 V output signal
- Operating temperature -40 to 125° C
- Measuring range 0 - 600 bar
- A wide range of pressure and electrical connections are available
- For use in severe industrial environments
- With pulse-snubber

Dimensions and weight:

Weight: 0.17 kg



All dimensions in millimetres

Approvals: CE, UL, UL Hazloc, Ex-N, Gost

MBS 3250 pressure transmitters with pulse-snubber

Accuracy: +/- 0.5% FS (typ.)
 Media temperature: -40 to 125 °C
 Output signal: 4 to 20 mA
 Electrical connections: EN175301-803A, Pg 9
 Range: Flexible - different electrical and pressure connections available



Pressure range P _e ¹⁾ bar	Pressure connection G 1/2 EN 837	Code number
0 → 2.5	✓	060G1861
0 → 4	✓	060G1862
0 → 6	✓	060G1863
0 → 10	✓	060G1791
0 → 16	✓	060G1864
0 → 25	✓	060G1865
0 → 40	✓	060G1790
0 → 60	✓	060G1866
0 → 100	✓	060G1867
0 → 160	✓	060G1868
0 → 250	✓	060G1779
0 → 400	✓	060G1869
0 → 600	✓	060G1778

¹⁾ Gauge / relative

Spareparts and accessories for MBS 3250



Plug in display

Type	Description	Code number
MBD 1000	Microprocessor controlled plug-in display	060G2850

Plug



Description	Code number
EN 175301-803-A, Pg 9 plug	060G0008
En 175301-803-A, Pg 11 plug	060G0007
En 175301-803-A, plug with 5 m cable	060G1034

Adapters

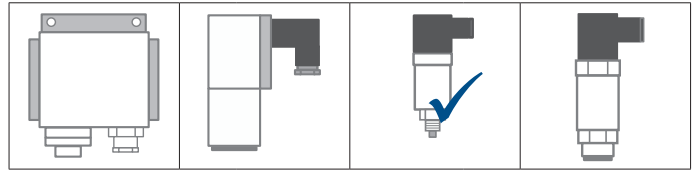


Description	Code number
G1/2 female to G1/4 male	060G1021
G1/2 female to G1/4 (DIN3852) male	060G1022
G1/2 female to G3/8 male	060G1023
G1/2 female to 1/4 flare male	060G1024

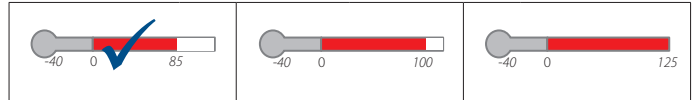
MBS 3100 compact pressure transmitter



Design



Temperature



The compact ship approved pressure transmitter MBS 3100 is designed for use in almost all marine applications, and offers a reliable pressure measurement, even under harsh environmental conditions.

The flexible pressure transmitter programme covers a 4-20 mA output signal, absolute and gauge (relative) versions, measuring ranges from 0-1 to 0-600 bar, plug and cable connections and a wide range of pressure connections.

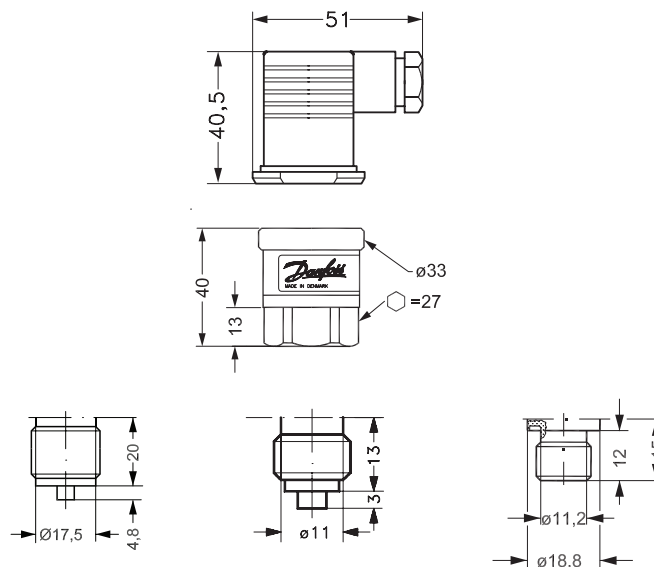
Excellent vibration stability, robust construction, and a high degree of EMC/EMI protection equip the pressure transmitter to

meet the most stringent marine requirements.

- 4 - 20 mA output signal
- Operating temperature -40 to 85° C
- Measuring range 0 - 600 bar
- Standard pressure connection G 1/4A DIN 16288, G 1/4A, O-ring DIN 3852 G 1/2A DIN 16288
- Available with all relevant marine approvals
- Suited for marine applications

Dimensions and weight:

Weight: 0.2 kg



All dimensions in millimetres

Approvals: CE, UL, UL Hazloc, Ex-N, Gost, LR, DNV, GL, RINA, ABS, BV, NKK, PRS, MRS, CSS

MBS 3100 compact pressure transmitter

Accuracy: +/- 0.5% FS (typ.)
Media temperature: -40 to 85°C
Output signal: 4 to 20 mA
Electrical connections: EN 175301-803-A, Pg 11
Range: Flexible – many different electrical and pressure connections available



Measuring range P _e ¹⁾ (bar)	Pressure connection			Code numbers
	G ¼ A EN 837	G ¼ A, O-ring DIN 3852	G½ A EN 837	
0 → 4	✓			060G1367
0 → 6	✓			060G1368
0 → 10	✓			060G1369
0 → 16	✓			060G1370
0 → 25	✓			060G1371
0 → 40	✓			060G1372
0 → 4		✓		060G1463
0 → 6		✓		060G1464
0 → 10		✓		060G1465
0 → 16		✓		060G1466
0 → 25		✓		060G1467
0 → 40		✓		060G1468
-1 → 1.5 ²⁾			✓	060G5600
-1 → 5 ²⁾			✓	060G5601
0 → 4			✓	060G1469
0 → 6			✓	060G1470
0 → 10			✓	060G1471
0 → 16			✓	060G1472
0 → 25			✓	060G1473
0 → 40			✓	060G3388

¹⁾ Gauge / relative

²⁾ Sealed gauge

Spare parts and accessories for MBS 3100

Plugs



Description	Code number
EN 175301-803-A, Pg 9 plug	060G0008
EN 175301-803-A, Pg 11 plug	060G0007
EN 175301-803-A, Pg 13.5 plug	060G0005
EN 175301-803-A, plug with 5 m cable	060G1034

Adapters



Description	Code number
G1/2 female to G1/4 male	060G1021
G1/2 female to G1/4 (DIN 3852) male	060G1022
G1/2 female to 3/8 male	060G1023
G1/2 female to ¼ flare male	060G1024
G1/2 female with pulse-snubber	060G0252



Plug in display

Type	Description	Code number
MBD 1000	Microprocessor controlled plug-in display	060G2850



Isolating valve for pressure connection in compliance with DIN 3852-E

Type	Female thread	Male thread	Code number
MBV 2000	G ¼ DIN 3852	G ¼ DIN 3852-E	061B6001
MBV 2000	G ¼ DIN 3852	G ½ DIN 3852-E	061B6002
MBV 2000	G ½ DIN 3852	G ½A DIN 3852-E	061B6003
MBV 2000	G ¼ DIN 3852	¼-18 NPT DIN 3866-A	061B6004



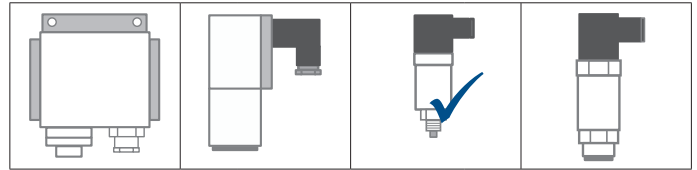
Test valve

Type	Pressure range, bar	Pressure connection	Transmitter connection	Code number
MBV 3000	0 → 120	DIN 3852-E-G½	DIN 3852-X-G½	061B6100

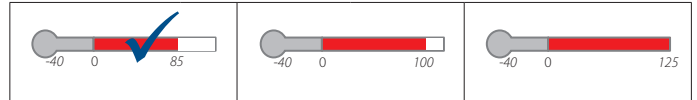
MBS 3150 compact pressure transmitter with pulse-snubber



Design



Temperature



The compact ship approved pressure transmitter MBS 3150 is designed for use in marine applications with severe medium influences like cavitation, liquid hammer or pressure peaks and offers a reliable pressure measurement, even under harsh environmental conditions.

The flexible pressure transmitter programme covers a 4-20 mA output signal, absolute and gauge (relative) versions, measuring ranges from 0-1 to 0-600 bar, plug and cable connections and a wide range of pressure connections.

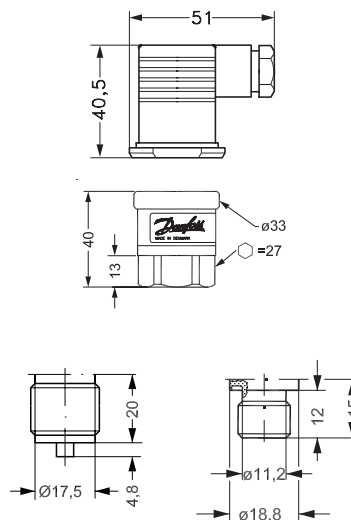
Excellent vibration stability, uniquely robust construction, and a high degree of EMC/EMI protection equip the pressure transmit-

ter to meet the most stringent marine requirements.

- 4 - 20 mA output signal
- Operating temperature - 40 to 85° C
- Measuring range 0 - 600 bar
- Standard pressure connection G 1/4A, O-ring DIN 3852, G 1/2A DIN 16288
- With integrated pulse-snubber
- Available with all relevant marine approvals and designed to meet the strict demands on marine equipment

Dimensions and weight:

Weight: 0.2 kg



All dimensions in millimetres

Approvals: CE, UL, UL Hazloc, Ex-N, Gost, LR, DNV, GL, RINA, ABS, BV, NKK, PRS, MRS, CSS

MBS 3150 compact pressure transmitter with pulse-snubber

Accuracy: +/- 0.5% FS (typ.)
 Media temperature: -40 to 85°C
 Output signal: 4 to 20 mA
 Electrical connections: EN 175301-803-A, Pg 11
 Range: Flexible – many different electrical and pressure connections available



Measuring range Pe ¹⁾ bar	Pressure connection		Code numbers
	G ½ A EN 837	G ¼ A, O-ring DIN 3852	
0 → 6	✓		060G1476
0 → 10	✓		060G1477
0 → 6		✓	060G1474
0 → 10		✓	060G1475

¹⁾ Gauge / relative

Spare parts and accessories for MBS 3150



Plugs

Description	Code number
EN 175301-803-A, Pg 9 plug	060G0008
EN 175301-803-A, Pg 11 plug	060G0007
EN 175301-803-A, Pg 13.5 plug	060G0005
EN 175301-803-A, plug with 5 m cable	060G1034

Adapters



Description	Code number
G1/2 female to G1/4 male	060G1021
G1/2 female to G1/4 (DIN 3852) male	060G1022
G1/2 female to 3/8 male	060G1023
G1/2 female to ¼ flare male	060G1024
G1/2 female with pulse-snubber	060G0252

Plug in display



Type	Description	Code number
MBD 1000	Microprocessor controlled plug-in display	060G2850

Isolating valve for pressure connection in compliance with DIN 3852-E



Type	Female thread	Male thread	Code number
MBV 2000	G ¼ DIN 3852	G ¼ DIN 3852-E	061B6001
MBV 2000	G ¼ DIN 3852	G ½ DIN 3852-E	061B6002
MBV 2000	G ½ DIN 3852	G ½A DIN 3852-E	061B6003
MBV 2000	G ¼ DIN 3852	¼-18 NPT DIN 3866-A	061B6004

Test valve

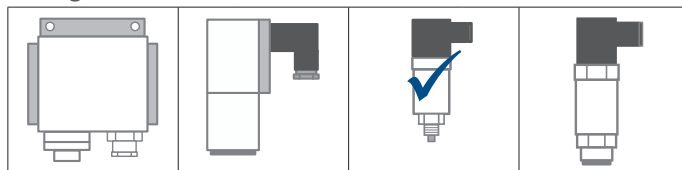


Type	Pressure range, bar	Pressure connection	Transmitter connection	Code number
MBV 3000	0 → 120	DIN 3852-E-G½	DIN 3852-X-G½	061B6100

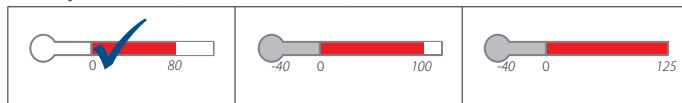
MBS 1900, OEM pressure transmitter for compressed air and water pump applications



Design



Temperature °C

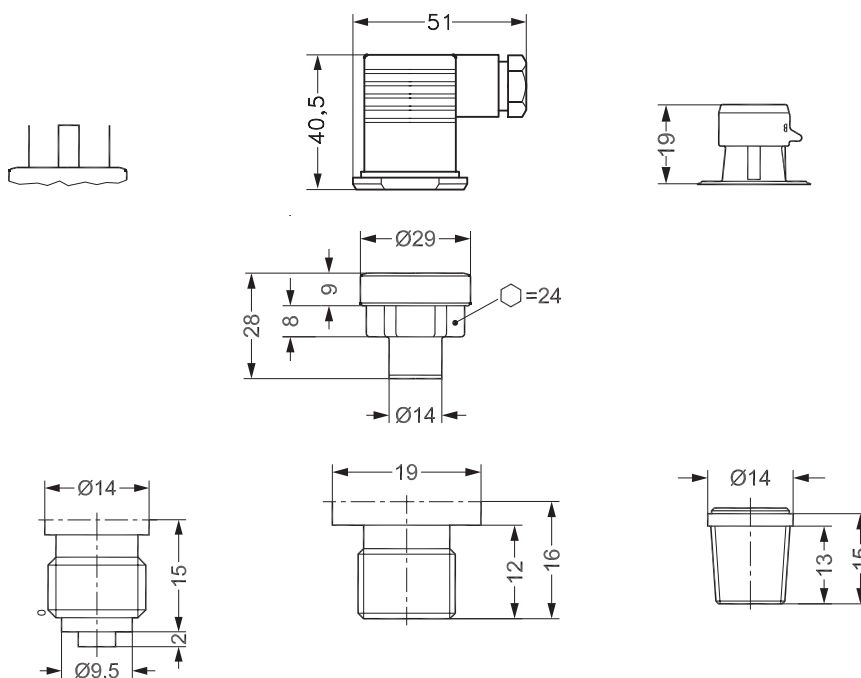


Pressure transmitter, type MBS 1900 is designed for use in air and water applications like booster pumps and air compressors. The pressure transmitter programme covers different output sig-

nals, absolute and gauge (relative) versions, measuring ranges from 0-4 bar to 0-25 bar and a range of pressure and electrical connections.

Dimensions and weight:

Weight: 0.15 to 0.3 kg, depending on pressure / electrical connection



All dimensions in millimetres

Approvals: CE, UL

MBS 1900 pressure transmitter

Accuracy: +/- 1% FS

Media temperature: 0 - 80°C

Digitally compensated



Measuring range P _e ¹⁾ bar	Output signal		Pressure connection			Electrical connection			Code number
	mA	Ratio- metric	G 1/4 A EN 837	R 1/4 ISO 7-1	G 1/4 DIN 3852-E	No plug (EN 175301- 803-A)	Plug Pg 9 (EN 175301- 803-A)	Round Pack- ard Metripack 150.2	
0 → 6	4 → 20		✓			✓			064G6501
0 → 10	4 → 20		✓			✓			064G6502
0 → 10	4 → 20			✓				✓	064G6543
0 → 16	4 → 20		✓					✓	064G6523
0 → 16	4 → 20				✓	✓			064G6511
0 → 16	4 → 20				✓			✓	064G6533
0 → 16		✓			✓			✓	064G6532
0 → 16	4 → 20			✓				✓	064G6542
0 → 25	4 → 20		✓			✓			064G6504

¹⁾ Gauge / relative

Spareparts and accessories for MBS 1900

Plug

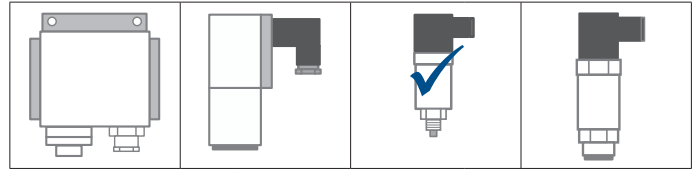


Description	Code number
EN 175301-803-A, Pg 9 plug	060G0008
EN 175301-803-A, plug with 5 m cable	060G1034

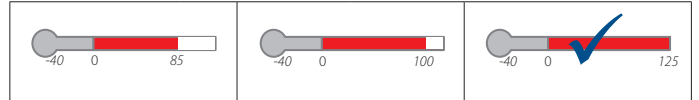
MBS 1200/1250 OEM pressure transmitters for use in severe hydraulic applications



Design



Temperature



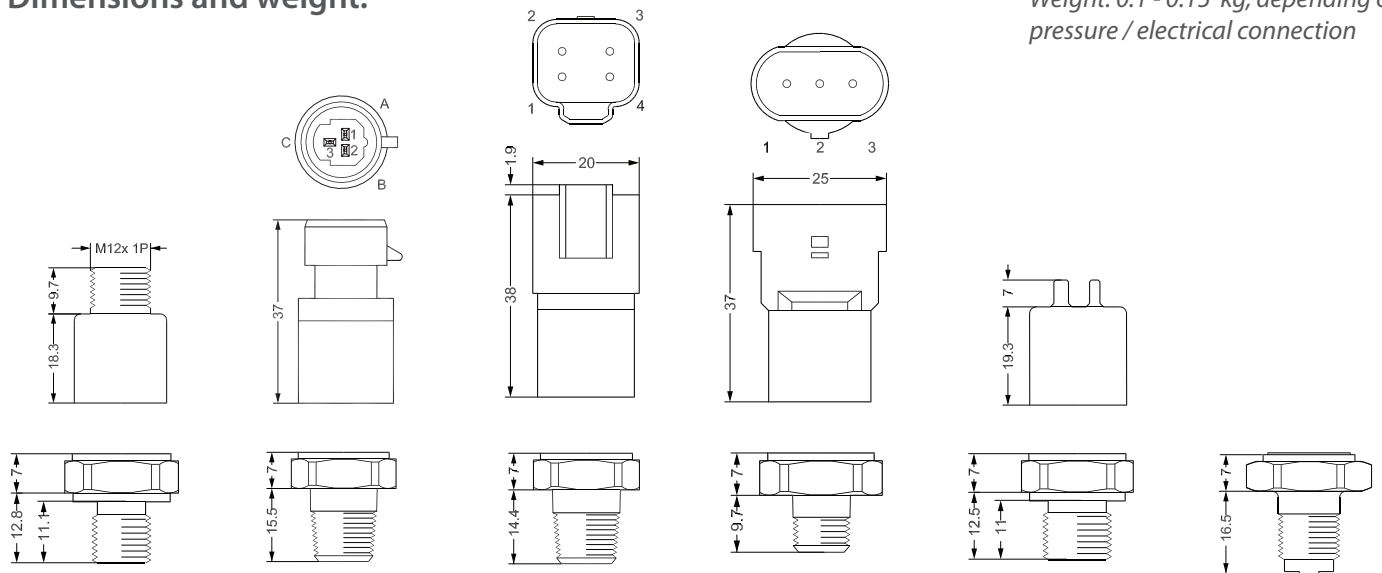
The OEM pressure transmitter, types MBS 1200 & MBS 1250 are based on a thin-film technology ensuring an excellent vibration stability and an exceptional robustness as well as a high degree of EMI protection which enable them to meet the most severe hydraulic applications.

A wide choice of electrical outputs as well as pressure connections mean that the transmitters are suitable for most applications within the mobile hydraulic segment.

And the compact designs make them ideal for installations where space is at a premium.

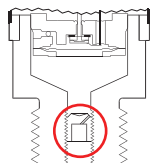
- Measuring range: 0 -20 bar to 0 - 2200 bar
- Accuracy: +/- 0.5% FS
- Pressure reference: Gauge (relative)
- Output signal: mA, voltage and ratiometric

Dimensions and weight:



Weight: 0.1 - 0.15 kg, depending on pressure / electrical connection

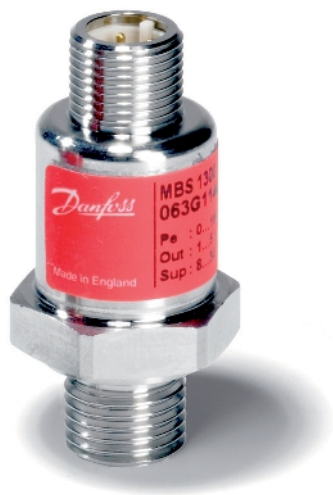
All dimensions in millimetres



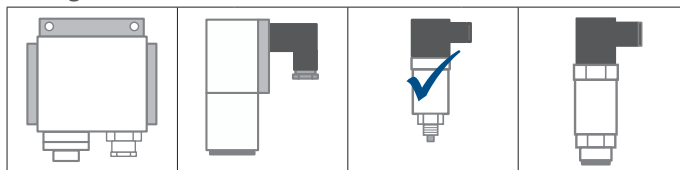
MBS 1250 has an integrated pulse-snubber offering a high degree of protection against cavitations and liquid hammer. Cavitation, liquid hammer and pressure peaks may occur in liquid filled hydraulic systems with changes in flow velocity, e.g. fast closing of a valve or pump starts and stops. The problem may occur on the inlet and outlet side, even at rather low operating pressures.

For ordering please contact your nearest Danfoss dealer.

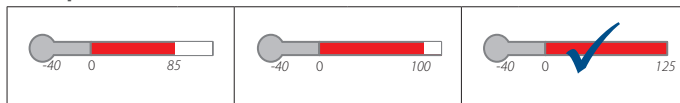
MBS 1300/1350 OEM electronic pressure switch with dual output for severe hydraulic applications



Design



Temperature



The OEM pressure switch and transmitter, types MBS 1300 and MBS 1350 are based on thin-film technology providing excellent vibration stability, robust construction and a high degree of EMI protection. These features among others ensure that the transmitters meet the most stringent industrial standards.

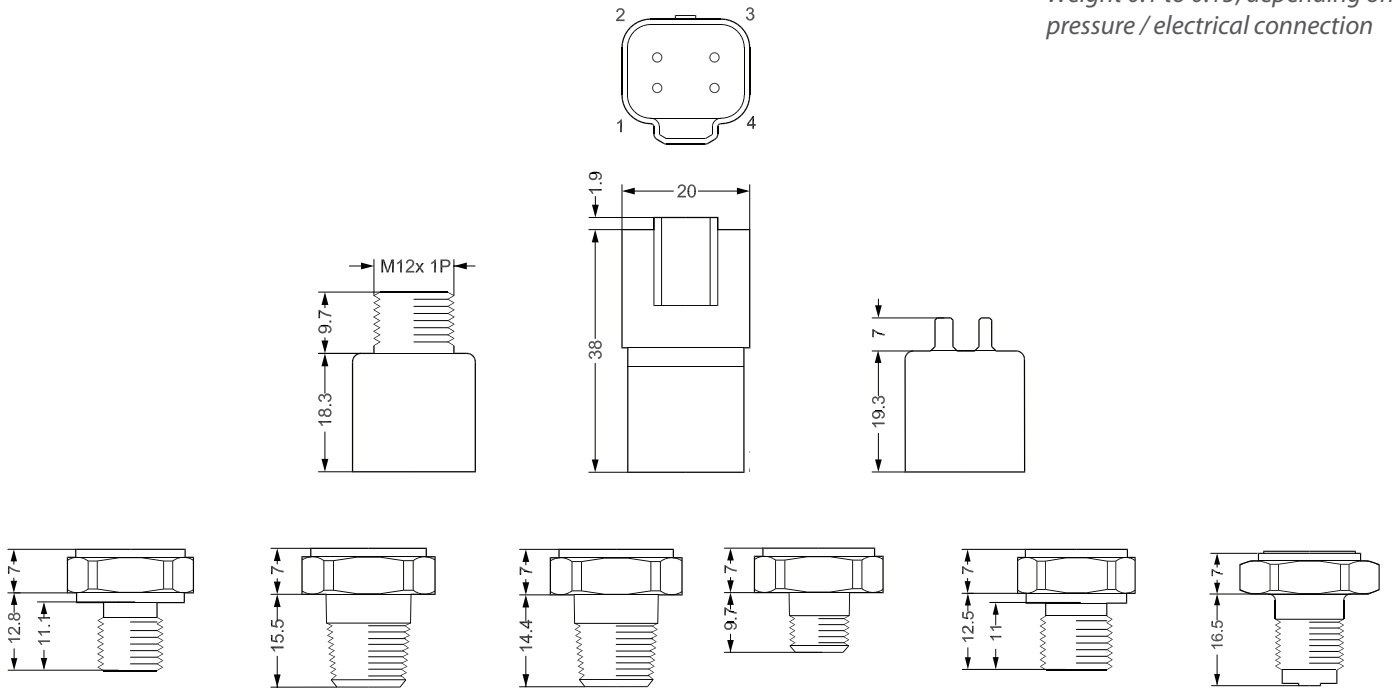
Two products in one:

The range is a compact dual-output product dedicated for hydraulic applications, where a combination of pressure signal output and/or pressure switch function is requested.

Pressure ranges (system):	20-2,200 bar
Pressure set point (typical):	10-110% calibrated range - switch point set at factory
DC switch current limit:	350mA (at 125 Centigrade)
Switch Options:	PNP (switch to Battery) or NPN (Open Collector format, switch to ground)
Mobile Hydraulic Certifications:	Designs compliant with ISO7637 standards
Supply voltage:	Compatible with 12V or 24V regulated supplies

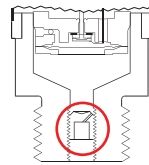
Dimensions and weight:

Weight 0.1 to 0.15, depending on pressure / electrical connection



All dimensions in millimetres

MBS 1350 has an integrated pulse-snubber offering a high degree of protection against cavitations and liquid hammer. Cavitation, liquid hammer and pressure peaks may occur in liquid filled hydraulic systems with changes in flow velocity, e.g. fast closing of a valve or pump starts and stops. The problem may occur on the inlet and outlet side, even at rather low operating pressures.

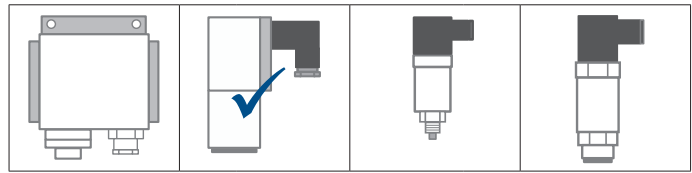


For ordering please contact your nearest Danfoss dealer.

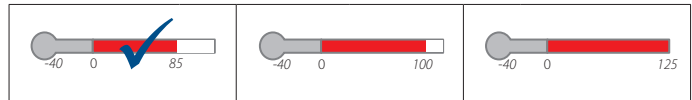
MBS 5100 pressure transmitter



Design



Temperature



The ship approved high accuracy pressure transmitter MBS 5100 is designed for use in almost all marine applications, and offers a reliable pressure measurement, even under harsh environmental conditions.

The pressure transmitter programme in block design covers a 4-20 mA output signal, absolute and gauge (relative) versions, measuring ranges from 0-1 to 0-600 bar, zero point and span adjustment, plug connection and female/flange pressure connections.

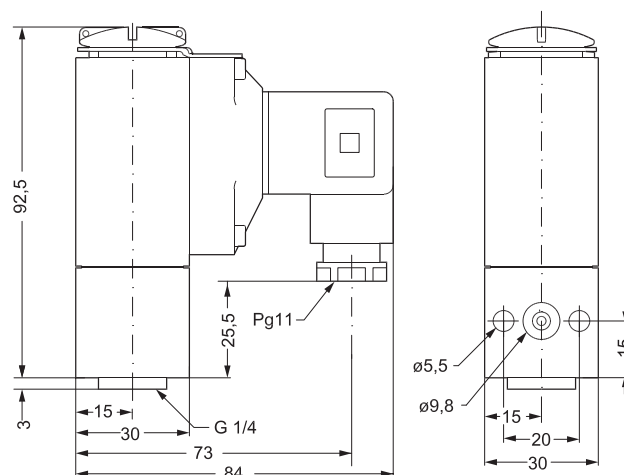
Excellent vibration stability, robust construction, and a high

degree of EMC/EMI protection equip the pressure transmitter to meet the most stringent industrial requirements.

- 4 - 20 mA output signal
- Operating temperature -40 to 85° C
- Measuring range 0 - 600 bar
- Pressure connection G ¼ female
- Available with all relevant marine approvals
- Designed to meet the strict demands in marine equipment

Dimensions and weight:

Weight: 0.4 kg



All dimensions in millimetres

Approvals: CE, UL, UL Hazloc, Ex-N, Gost, LR, DNV, GL, RINA, ABS, BV, NKK, PRS, MRS, CSS

MBS 5100 pressure transmitter

Accuracy: +/- 0.1% FS (typ.)
 Media temperature: -40 to 85°C
 Output signal: 4 to 20 mA
 Electrical connections: EN 175301-803-A, Pg 11
 Zero and span adjustment



Measuring range P _e ¹⁾ bar	Pressure connection G 1/4 with flange	Code number
0 → 1	✓	060N1032
0 → 2,5	✓	060N1033
0 → 4	✓	060N1034
0 → 6	✓	060N1035
0 → 10	✓	060N1036
0 → 16	✓	060N1037
0 → 25	✓	060N1038
0 → 40	✓	060N1039
0 → 60	✓	060N1040
0 → 100	✓	060N1041

¹⁾ Gauge / relative

Spare parts and accessories for MBS 5100



Plugs

Description	Code number
EN 175301-803-A, Pg 9 plug	060G0008
EN 175301-803-A, Pg 11 plug	060G0007
EN 175301-803-A, Pg 13.5 plug	060G0005
EN 175301-803-A, plug with 5 m cable	060G1034

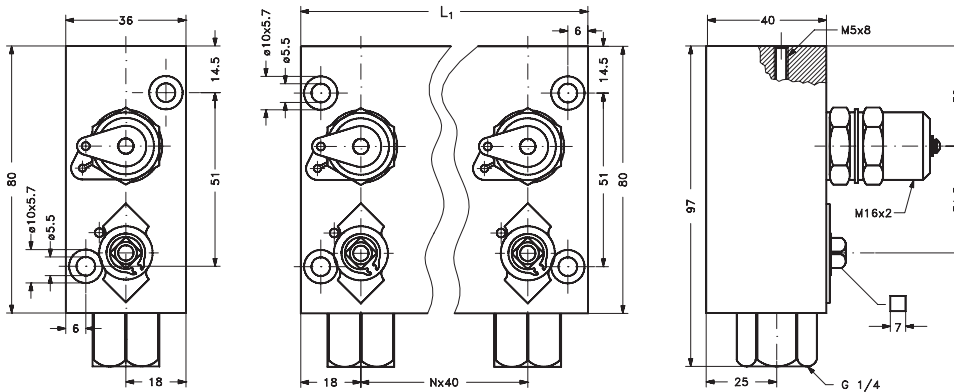
MBV 5000 pressure test valve

Media temperature: -20 to 120°C

Pressure connection: G 1/4 (Input)
Flange / M5 x 8 (Output)

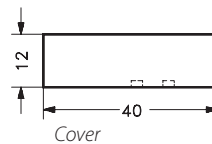


Output no.	Length (L ₁) mm	Code numbers
x1	36	061B7000
x2	76	061B7001
x3	116	061B7002
x4	156	061B7003
x5	196	061B7004
x2	76	061B7005
x3	116	061B7006
x4	156	061B7007
x5	196	061B7008
x2	76	061B7009
x3	116	061B7010
x4	156	061B7011
x5	196	061B7012

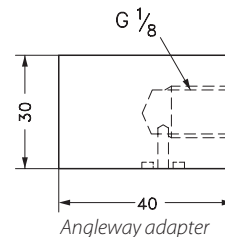


Weight: 0.4 - 2 kg depending on the different configurations

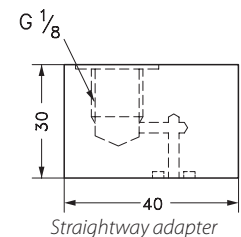
All dimensions in millimetres



Cover



Angleway adapter



Straightway adapter

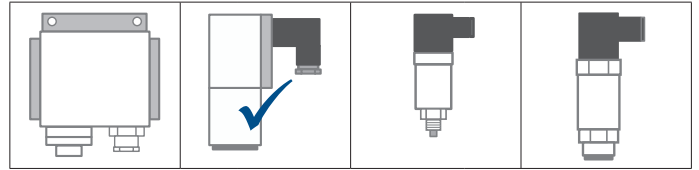
Standard flange - G1/8 adapters

Description	Code number
Cover	061B720001
Angleway adapter	061B720101
Straightway adapter	061B720201

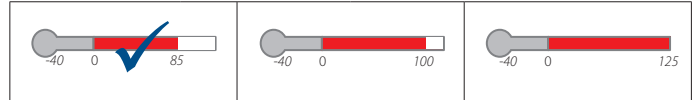
MBS 5150 pressure transmitters with pulse-snubber



Design



Temperature



The ship approved high accuracy pressure transmitter MBS 5150 is designed for use in marine applications with severe medium influences like cavitation, liquid hammer or pressure peaks, and offers a reliable pressure measurement, even under harsh environmental conditions.

The pressure transmitter programme in block design covers a 4-20 mA output signal, absolute and gauge (relative) versions, measuring ranges from 0-1 to 0-600 bar, zero point and span adjustment, plug connection and female/flange pressure connections.

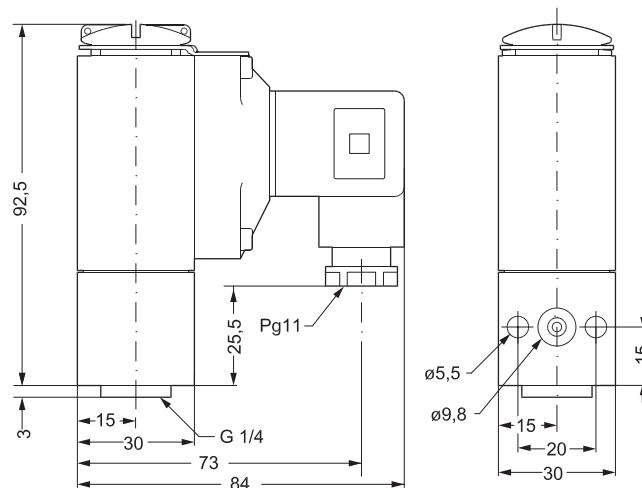
Excellent vibration stability, robust construction, and a high

degree of EMC/EMI protection equip the pressure transmitter to meet the most stringent industrial requirements.

- 4 - 20 mA output signal
- Operating temperature -40 to 85° C
- Measuring range 0 - 600 bar
- Pressure connection G ¼ female
- With integrated pulse-snubber
- Available with all relevant marine approvals
- Designed to meet the strict demands in marine equipment

Dimensions and weight:

Weight: 0.4 kg



All dimensions in millimetres

Approvals: CE, UL, UL Hazloc, Ex-N, Gost, LR, DNV, GL, RINA, ABS, BV, NKK, PRS, MRS, CSS

MBS 5150 pressure transmitter with pulse-snubber

Accuracy: +/- 0.1% FS (typ.)
 Media temperature: -40 to 85°C
 Output signal: 4 to 20 mA
 Electrical connections: EN 175301-803-A, Pg 11
 Zero and span adjustment



Measuring range P _e ¹⁾ (bar)	Pressure connection G ¼ with flange	Code number
0 → 1	✓	060N1081
0 → 2,5	✓	060N1083
0 → 4	✓	060N1084
0 → 6	✓	060N1063
0 → 10	✓	060N1064
0 → 16	✓	060N1065
0 → 25	✓	060N1085
0 → 40	✓	060N1066
0 → 60	✓	060N1086
0 → 100	✓	060N1087

¹⁾ Relative / gauge

Spare parts and accessories for MBS 5150

Plugs



Description	Code number
EN 175301-803-A, Pg 9 plug	060G0008
EN 175301-803-A, Pg 11 plug	060G0007
EN 175301-803-A, Pg 13.5 plug	060G0005
EN 175301-803-A, plug with 5 m cable	060G1034

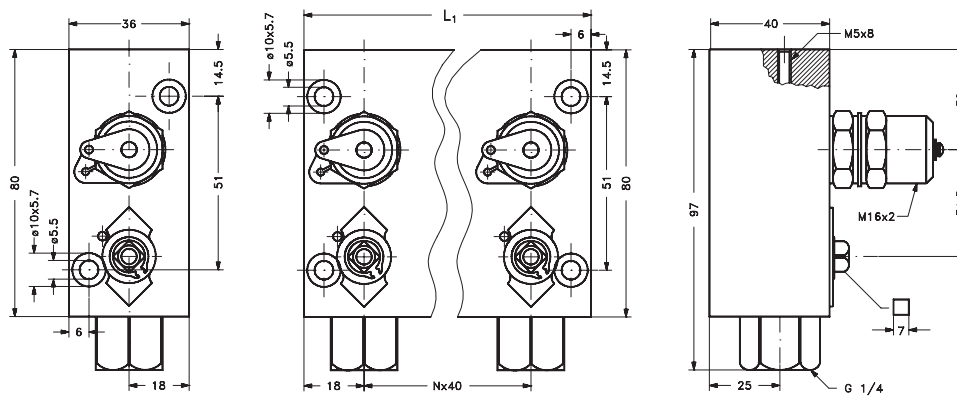
MBV 5000 pressure test valve

Media temperature: -20 to 120°C

Pressure connection: G 1/4 (Input)
Flange / M5 x 8 (Output)

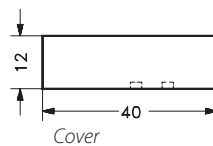


Output no.	Length (L ₁) mm	Code numbers
x1	36	061B7000
x2	76	061B7001
x3	116	061B7002
x4	156	061B7003
x5	196	061B7004
x2	76	061B7005
x3	116	061B7006
x4	156	061B7007
x5	196	061B7008
x2	76	061B7009
x3	116	061B7010
x4	156	061B7011
x5	196	061B7012

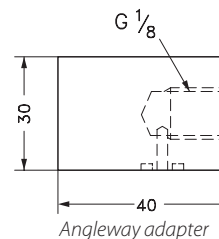


Weight: 0.4 - 2 kg
depending on the
different configura-
tions

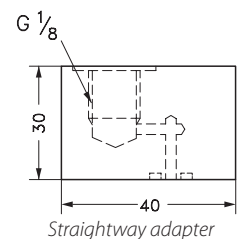
All dimensions in millimetres



Cover



Angleway adapter



Straightway adapter

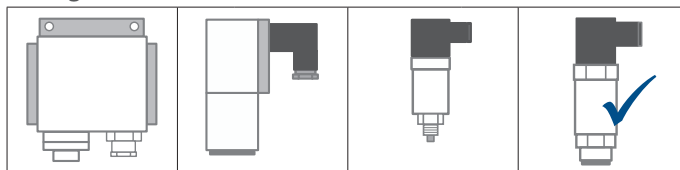
Standard flange - G1/8 adapters

Description	Code number
Cover	061B720001
Angleway adapter	061B720101
Straightway adapter	061B720201

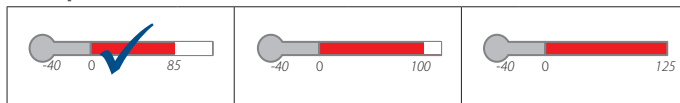
MBS 4510 flush diaphragm pressure transmitter



Design



Temperature



The high accuracy flush diaphragm pressure transmitter MBS 4510 is designed for use in non-uniform, high viscous or crystallizing media within industry, food and beverage, and offers a reliable pressure measurement, even under harsh environmental conditions.

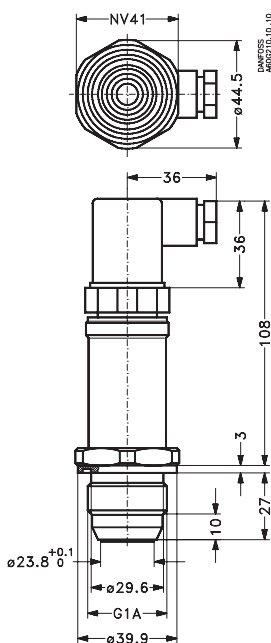
The pressure transmitter programme covers a 4-20 mA output signal, absolute and gauge (relative) versions, measuring ranges from 0-250 mbar til 0-25 bar, zero point and span adjustment, plug connection and a G1A conic pressure connection with a flush mounted diaphragm.

Excellent vibration stability, robust construction, and a high

degree of EMC/EMI protection equip the pressure transmitter to meet the most stringent industrial requirements.

- 4 - 20 mA output signal
- Operating temperature -40 to 85° C
- Measuring ranges 0 - 250 mbar to 0 - 25 bar
- Available with many different pressure connections
- With zero point and span adjustment
- With flush diaphragm
- For use in food and beverage industry as well as industrial applications with aggressive, heterogeneous and highly viscous media

Dimensions and weight:



Weight: 0.4 kg

All dimensions in millimetres

Approvals: CE, UL, UL Hazloc, Ex-N, Gost

MBS 4510 flush diaphragm pressure transmitter

Accuracy: +/- 0.2% FS (typ.)
 Media temperature: -40 to 85°C
 Output signal: 4 to 20 mA
 Electrical connections: EN 175301-803-A, Pg 9
 Zero and span adjustment



Measuring range P _e ¹⁾ (bar)	Pressure connection G 1 A with cone	Code number
0 → 0.25	✓	060G2418
0 → 0.4	✓	060G2419
0 → 0.6	✓	060G2420
0 → 1	✓	060G2421
0 → 1.6	✓	060G2422
0 → 2.5	✓	060G2423
0 → 4	✓	060G2424
0 → 6	✓	060G2425
0 → 10	✓	060G2426
0 → 16	✓	060G2427
0 → 25	✓	060G2428

¹⁾ Gauge / relative

Spare parts and accessories for MBS 4510

Adapters

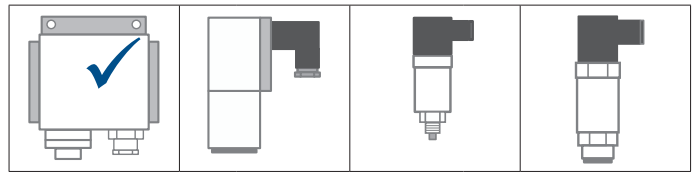


Description	Code number
Welding nipple for conic metal/metal seal	060G2501
DIN 11851 (diary connection) DN40	060G2505
DIN 11851 (diary connection) DN50	060G2506
Clamp, ISO 2852, 1½ in	060G2502
Clamp, ISO 2852, 2 in	060G2510
SMS 1145 connection, 1½ in	060G2503

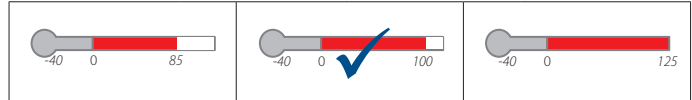
EMP 2 pressure transmitters



Design



Temperature



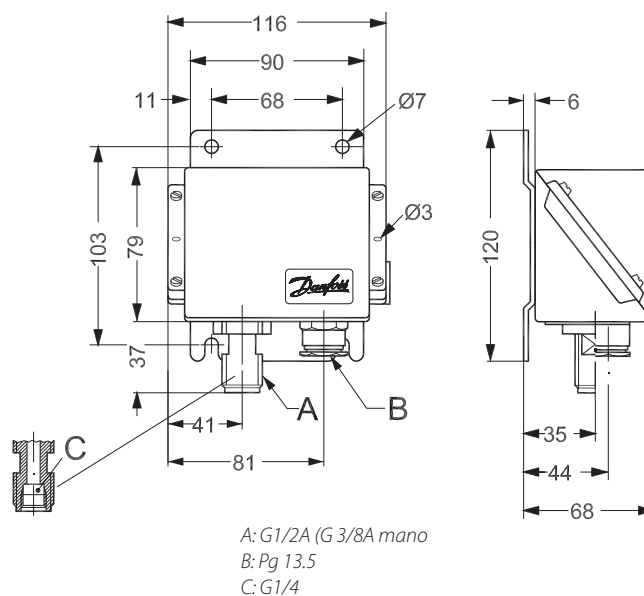
The ship approved pressure transmitter EMP 2 is designed for use in almost all marine and industrial applications, and offers a reliable pressure measurement, even under harsh environmental conditions.

The pressure transmitter programme in box design covers a 4-20 mA output signal, gauge (relative) versions, measuring ranges from 0-1 to 0-400 bar, zero point and span adjustment, Pg 13.5 cable entry and different pressure connections.

A robust construction enables the pressure transmitter to meet the strictest requirements.

- 4 - 20 mA output signal
- Operating temperature -10 to 70° C
- Measuring range 0 - 400 bar
- Pressure connections G 1/4, G 1/2A standard, G 3/8 A mano
- With zero point and span adjustment
- Available with all relevant marine approvals
- For use in harsh industrial / marine environments

Dimensions and weight:



Weight: 1 kg

All dimensions in millimeters

Approvals: CE, UL, UL Hazloc, Ex-N, Gost, LR, DNV, GL, RINA, ABS, BV, NKK, PRS, MRS, CSS

EMP 2 pressure transmitters

Accuracy: +/- 0.3 % FS
 Media temperature: -40 to 100 °C
 Output signal: 4 to 20 mA
 Electrical connections: Terminal block, Pg 13.5
 Zero and span adjustment



Operating pressure P _e bar	Pressure connection		Code number
	G 1/2 A	G 3/8 A	
-1 → 1.5 ¹⁾	✓		084G2100
-1 → 5 ¹⁾	✓		084G2101
0.2 → 1	✓		084G2102
0 → 1	✓		084G2103
0 → 1.6	✓		084G2104
0 → 2.5	✓		084G2105
0 → 4	✓		084G2106
0 → 4		✓	084G2206
0 → 6	✓		084G2107
0 → 6		✓	084G2207
0 → 6	✓		084G2108
0 → 10	✓		084G2109
0 → 10		✓	084G2209
0 → 10	✓		084G2110
0 → 16	✓		084G2111
0 → 16		✓	084G2211
0 → 25	✓		084G2112
0 → 40	✓		084G2113
0 → 40		✓	084G2213
0 → 60	✓		084G2114
0 → 100	✓		084G2115
0 → 160	✓		084G2116
0 → 250	✓		084G2117
0 → 400	✓		084G2118
-1 → 9 ¹⁾	✓		084G2120

¹⁾ Gauge / relative

Spareparts and accessories for EMP



Damping coil

Description	Material	Code number
G 1/4 unions and 1 m capillary tube.	Copper	060-104766
G 1/2 unions and 1 m capillary tube.	Stainless steel	060-016966
G 3/8 unions and 1 m capillary tube. Armoured.	Copper	060-333366

Nipple

Description	Material	Code number
G 1/4 A x G 3/8 A with copper washer.	Brass	060-333266



Temperature sensors

Transportation

Marine, Mobile Hydraulics and Railways

The increasing global focus on environmental and safety legislations calls for more control and automation. Danfoss accommodate this by optimising product functions and specifications allowing you to comply with the new demands. Our wide sensor range comprises solutions for:

- Marine equipment
- Mobile hydraulic equipment
- Railway equipment

Heating and sanitation

Sterilisers, Autoclaves, Boiler and Boiler Room Equipment

Energy efficiency and safety are frequent challenges in heating and sanitation applications. The answer is highly reliable and accurate measurements, which is achieved by using specialised sensors. Bearing the above equipment in mind we have developed dedicated temperature sensors for:

- Sterilisers and autoclaves
- Boiler and boiler room equipment

Machine and equipment

Industrial Hydraulics, Air Compressors, Water Pumps and Industrial Engines

Within machine and equipment the temperature sensor specifications depend on the specific application. Close cooperation with customers has allowed us to develop dedicated sensor solutions for:

- Water pumps and air compressors
- Industrial engines
- Industrial hydraulics

Energy

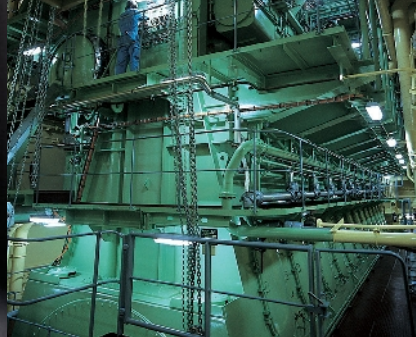
Wind Turbines and Electric Power

One of the most distinct global challenges now and in the future is how to produce energy in a both efficient and environmentally friendly way. In cooperation with some of the leading manufacturers of process and energy equipment, Danfoss has developed – and is continuously refining – solutions for:

- Wind turbines
- Gen sets



Examples



Onboard complex, new ships, the MBT temperature sensor control that vital parts of the propulsion system all run perfectly, within the parameters of safe operation.



On wind turbines, helping to increase the amount of wind-produced power worldwide, the MBT temperature sensor gives reliable readings of hydraulic oil temperatures.

Temperature sensors

in this catalogue



MBT 3260 MBT 3270 MBT 3560 MBT 153 MBT 5250 MBT 5252 MBT 5113 MBT 5116

	MBT 3260	MBT 3270	MBT 3560	MBT 153	MBT 5250	MBT 5252	MBT 5113	MBT 5116	
Segments	Transportation								
	Heating and sanitation								
	Machine and equipment								
	Energy								
Characteristics	Pt 100/Pt 1000	✓	✓		✓	✓	✓	✓	
	NTC/PTC		✓		✓	✓	✓		
	Transmitter	mAV d.c.							
	Transmitter as option						mA	mA	
	Measuring insert	Fixed	Fixed	Fixed	Fixed	Changeable	Changeable	Changeable	Changeable
	Medium temperature	-50 to 120° C (-58 to 248° F)	-50 to 300° C (-58 to 572° F)	-50 to 200° C (-58 to 392° F)	-50 to 200° C (-58 to 392° F)	-50 to 200° C (-58 to 392° F)	-50 to 400° C (-58 to 752° F)	-50 to 800° C (-58 to 1472° F)	-50 to 600° C (-58 to 1112° F)
	Enclosure	IP 54 (NEMA 13)	IP 65 (NEMA 4)	IP 65/IP 67 (NEMA 4/ NEMA 6)	IP 67 (NEMA 6)	IP 65 (NEMA 4)	IP 65 (NEMA 4)	IP 65 (NEMA 4)	IP 65 (NEMA 4)
	Material protection tube	Protection tube Copper Process connection Brass	W.no. 1.4571 (AISI 316 Ti)	W.no. 1.4571 (AISI 316 Ti)	W.no. 1.4571 (AISI 316 Ti)	W.no. 1.4571 (AISI 316 Ti)	W.no. 1.4571 (AISI 316 Ti)	W.no. 1.4571 (AISI 316 Ti)	W.no. 1.4571 (AISI 316 Ti)
	Reaction time t0.5 in water (sec)	2 s	1.5 s	10 s	1 s	9 s	12 s	30 s	30 s
	Marine approvals					✓	✓	✓	✓



Marine and mobile hydraulics



Boiler and boiler room equipment, sterilisers and autoclaves



Electric power and wind turbines



Industrial hydraulics, air compressors, water pumps and industrial engines

Temperature sensors that can take the heat

An outstanding temperature sensor performance is characterised by:

- The element
- The ability to react fast and precise
- The packaging

1 Elements

- RTD (Pt100/Pt1000) – for standardised signals and high accuracy the RTD's are a perfect choice
- Changeable measuring insert

2 The ability to react fast and precise

Special care has been put into the design of the sensor in relation to the reaction time. A specially developed sensor element fixture ensures contact between the element and the housing material in order to secure a fast heat transfer from the media to the sensor element. On top of this the sensor construction ensures minimum radiation of heat, which results in a measurement very close to the actual temperature of the media.

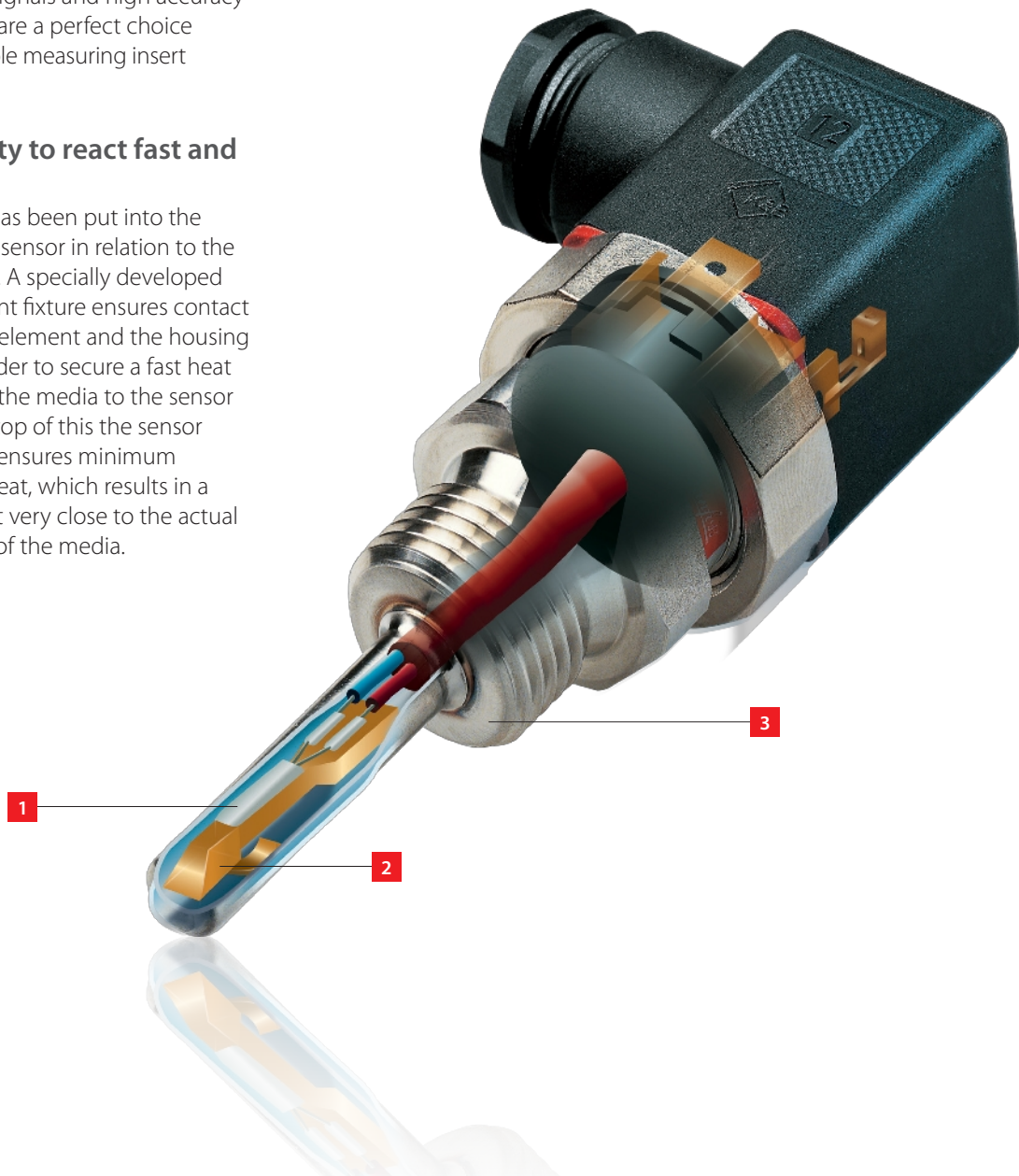
3 Packaging

The sensor design offers long-life stability through:

- High shock and vibration stability
- High enclosure grade IP65

Sensor material:

- Stainless steel (AISI 316)
- Gold plated contacts to secure flawless signal



MBT 3260 temperature sensors with fixed insert



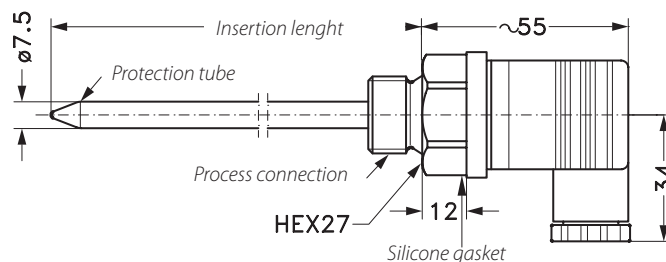
The MBT 3260 is a temperature sensor that can be used for measuring and regulation in piping and ventilation systems and other light industrial applications.

Due to the fact that the protection tube is made of copper the MBT 3260 has a very short response time of down to $t_{0,5} = 2$ sec. in water. This temperature sensor is based on a standardized Pt100 or Pt1000 element, which gives a reliable and accurate measurement. Parts in contact with the media are made of copper or brass.

The MBT 3260 is delivered with a EN 175301-803-A, Pg9 plug as standard.

- Pt100 or Pt1000 resistance element
- Temperature range -50 to 120° C
- Copper tube
- Short response times
- G1/2A brass process connection
- Gold plated connectors
- Fixed measuring insert
- Multiple insertion lengths: 50, 100 or 250 mm

Dimensions and weight:



Weight: 0.120 kg to 0.150 kg depending on insertion length.

All dimensions in millimetres

MBT 3260 temperature sensors with fixed insert

Measuring range: -50 to 120°C

Process connection: G1/2 A brass

Electrical connection: EN 175301-803-A, Pg 9



Resistance element		Insertion length mm	Code number
Pt 100	Pt 1000		
✓		50	084Z6055
✓		100	084Z8181
✓		250	084Z8183
	✓	50	084Z6056
	✓	100	084Z8180
	✓	250	084Z8182

Approvals: CE

MBT 3270 temperature sensors



The flexible temperature sensor MBT 3270 can be used in many industrial applications such as: Air Compressors, Mobile Hydraulics and Exhaust gas return systems.

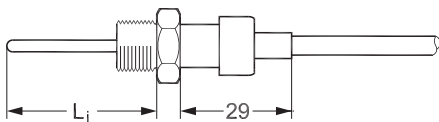
In other words application where robustness, size and performance are essentials.

The sensor can be equipped with different sensing element (RTD, NTC and PTC) and is available with different electrical connections (Cable, Delphi Metri Pack, AMP junior power Timer, Deutch DT04).

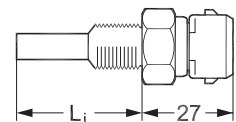
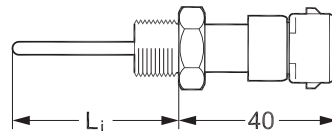
- Robust, high protection against moisture
- Fixed measuring insert
- Brass or stainless steel
- Very low response times
- Temperature range up to 300°C

Dimensions and weight:

Weight: 0.085 kg



-50 → 300°C



-50 → 150°C

All dimensions in millimetres

MBT 3270 temperature sensors

Fixed measuring insert
Very low response times

Resistance element			Insertion length (L _i) mm	Temperature range, °C	Insertion Ø mm	Electrical connection			Code number
Pt 100	Pt 1000	PTC 2000				AMP	Cable/m	Deutsch	
✓			24	-50 → 150	6	✓			084Z2014
	✓		28	-50 → 150	4.2	✓			084Z2012
		✓	24	-50 → 150	6	✓			084Z2010
✓			40	-50 → 300	3	✓			084Z2018
✓			40	-50 → 300	3			✓	084Z2019
✓			40	-50 → 300	3		2		084Z2021

Approvals: CE

MBT 3560 temperature sensors with built-in transmitter

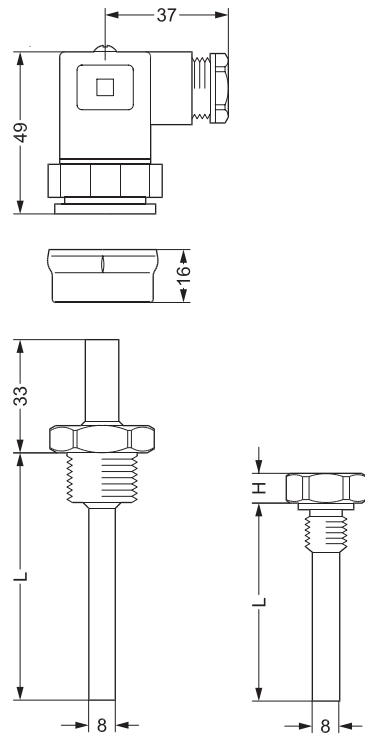


With MBT 3560 we have combined the technology of our standard temperature sensors and the electrical connections from the MBS pressure transmitters with a new developed electronics which has resulted in a compact temperature sensor with a built-in transmitter. The MBT 3560 is designed for use in harsh industrial environments where reliable, robust and accurate equipment is required. Available with a wide selection of process and electrical connections. Can be delivered with a 33 mm extension length which makes it possible to measure temperatures up to 200°C without damaging the built-in electronics.

- Ultra compact design
- Acid-resistant stainless steel enclosure (AISI 316L)
- Temperature range -50 °C - +200°C
- Pt 1000 resistance element
- Output signals: 4 - 20 mA or Ratiometric
- Protection tube: \varnothing 8 mm
- Multiple insertion lengths: 50 mm- 250 mm

Dimensions and weight:

*Weight: 0.15 kg to 0.22 kg
depending on insertion length*



*L= Insertion length
H=9 mm*

All dimensions in millimetres

Approvals: CE

MBT 3560 Temperature sensors with built-in transmitter

Measuring range: -50 to 200°C
 Electrical connection: EN175301-803A, Pg 9
 Resistance element: Pt 1000
 Protection tube: Ø 8 mm
 Process connection: G1/4 A



Insertion length mm	Transmitter output 4 → 20 mA	Transmitter settings C°	Extension length mm	Code number
50	✓	0 → 100	-	084Z4030
100	✓	0 → 100	-	084Z4031
150	✓	0 → 100	-	084Z4032
200	✓	0 → 100	-	084Z4033
250	✓	0 → 100	-	084Z4034
50	✓	0 → 200	33	084Z4035
100	✓	0 → 200	33	084Z4036
150	✓	0 → 200	33	084Z4037
200	✓	0 → 200	33	084Z4038
250	✓	0 → 200	33	084Z4039

Spare part and accessories

Sensor pocket

Instertion length mm	Pocket insertion length mm	Process connection G ½ A	Protection tube Ø 11 mm	Code number
50	37.50	✓	✓	084Z7258
100	87.50	✓	✓	084Z7259
150	137.50	✓	✓	084Z7260
200	187.50	✓	✓	084Z7261
250	237.50	✓	✓	084Z7262



Plug in display

Type	Description	Code number
MBD 1000	Microprocessor controlled plug-in display	060G2850



MBT 153 cable-type temperature sensors



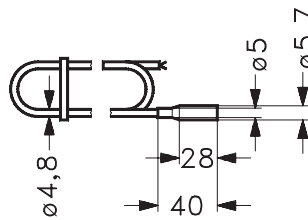
The MBT 153 is a heavy-duty temperature sensor that can be used for controlling cooling water and ventilation systems within general industry and marine applications.

This temperature sensor is based on a standardized Pt100 or Pt1000 element, which gives a reliable and accurate measurement. On request the MBT 153 can also be delivered with NTC/PTC elements. The sensor is based on a stainless steel housing with a cable, which makes the sensor extremely flexible.

The MBT 153 can be combined with a sensor pocket to protect the silicone cable from the media. The MBT 153 has a PVC or silicone cable as standard but it can be delivered with teflon cable on request.

- Temperature range -50 to +200°C
- Short response times
- Pt100 or Pt1000 resistance element
- 2- or 4-wire connection

Dimensions and weight:



Weight: 0.120 kg to 0.425 kg
depending on cable length

All dimensions in millimetres

Approvals: CE, LR, DNV, ClassNK

MBT 153 cable-type temperature sensors

Measuring range: -50 to 200°C

Short response time



Resistance element		Cable length m	Cable type		Wires pcs	Code number
Pt 100	Pt 1000		PVC	Silicone		
✓		3.5	✓		2	084Z6030
✓		8.5	✓		2	084Z6032
	✓	3.5	✓		2	084Z6033
	✓	5.5	✓		2	084Z6034
	✓	8.5	✓		2	084Z6035
✓		3.5		✓	2	084Z6036
✓		5.5		✓	2	084Z6037
✓		8.5		✓	2	084Z6038
	✓	3.5		✓	2	084Z6039
✓		3.5		✓	4	084Z6215
✓		5.5		✓	4	084Z6042
✓		8.5		✓	4	084Z6216

Spare parts and accessories

Sensor pocket MBT 120



Insertion length mm	Process connections		Code number
	G 1/2 A	G 3/4 A	
50	✓		084Z6050
100	✓		084Z6051
200	✓		084Z6053
250	✓		084Z6054

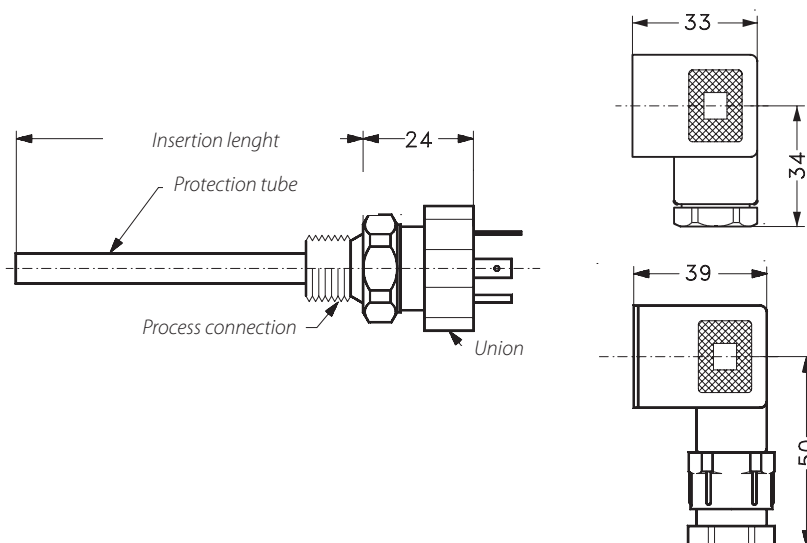
MBT 5250 temperature sensor



The MBT 5250 is a heavy-duty temperature sensor that can be used for controlling cooling water, lubrication oil, hydraulic oil and refrigeration plants within general industry and marine applications. This temperature sensor is based on a standardized Pt100 or Pt1000 element, which gives a reliable and accurate measurement. The MBT 5250 can be delivered with NTC/PTC elements on request. The measuring insert is based on a silicone cable, which makes the sensor very resistant towards vibrations. All parts in contact with the media are made of stainless steel AISI 316 Ti. The MBT 5250 is equipped with a EN 175301-803-A, Pg 9 plug as standard, but can be delivered with M12 or DIN 72585 Bayonet on request.

- For gaseous or liquid media, e.g. air, gas, vapour, water or oil
- Up to +200°C media temperatures
- Pt100 or Pt1000 resistance element
- Can be used with 2- or 3-wire connections
- Gold plated male and female connector
- Interchangeable measuring insert
- Available with all relevant marine approvals

Dimensions and weight:



Weight: 0.145 kg to 0.220 kg depending on insertion length

All dimensions in millimetres

Approvals: CE, LR, GL BV, DNV, ClassNK, RINA, ABS, CCS

MBT 5250 temperature sensor

Measuring range: -50 to 200°C

Resistance element: 1 x Pt 100

Extension length: None



Insertion length mm	Process connection size	Electrical connection: EN 175301-803-A			Code number
		Pg 9	Pg 11	Pg 13.5	
50	G 1/2 A	✓			084Z8011
50	G 1/2 A		✓		084Z8036
50	G 3/4 A		✓		084Z8037
100	G 3/4 A		✓		084Z8006
100	G 1/2 A	✓			084Z8012
100	G 1/2 A		✓		084Z8039
150	G 1/2 A		✓		084Z8008
150	G 1/2 A	✓			084Z8010
150	G 3/4 A			✓	084Z8014
150	G 3/4 A		✓		084Z8041
200	G 1/2 A	✓			084Z8022
200	G 1/2 A		✓		084Z8043
200	G 3/4 A			✓	084Z8218
200	G 3/4 A		✓		084Z8044
50	G 3/4 A			✓	084Z8058
100	G 3/4 A			✓	084Z8013

MBT 5252 temperature sensors



The MBT 5252 is a heavy-duty temperature sensor that can be used for controlling cooling water, lubrication oil, hydraulic oil and refrigeration plants within general industry and marine applications.

This temperature sensor is based on a standardized Pt100 or Pt1000 element, which gives a reliable and accurate measurement. NTC/PTC elements available on request.

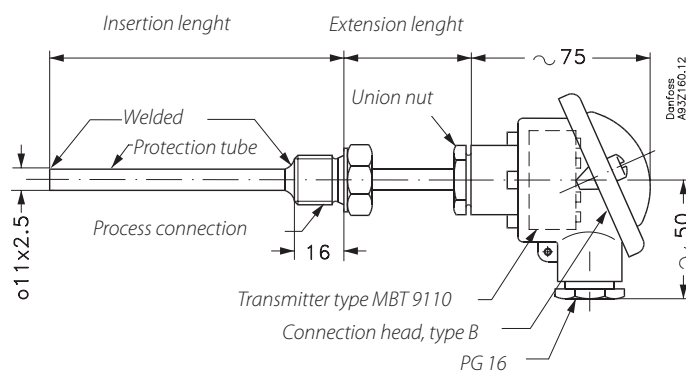
MBT 5252 can also be delivered with transmitter insert for 4 - 20 mA output. In the low temperature version (-50 °C to +200 °C) the measuring insert is based on a silicone cable, which makes the sensor very resistant towards vibrations.

All parts in contact with the media are made of stainless steel AISI 316 Ti. The MBT 5252 is equipped with a B-head as standard, but can be delivered with B-mini or B-head with screw cap on request.

- For gaseous or liquid media, e.g. air, gas, vapour, water or oil
- Up to +400° C media temperatures
- Available with built-in transmitter
- Available with all relevant marine approvals

Dimensions and weight:

*Weight: 0.37 kg to 0.45 kg
depending on insertion length*



All dimensions in millimetres

Approvals: CE, LR, BV, DNV, ClassNK, RINA, ABS, KRS, CCS

MBT 5252 temperature sensors

Measuring range: -50 to 200°C.

Resistance element: Pt 100

Connection head: B-head

Extension length: 50 mm



Insertion length mm	Transmitter output 4 → 20 mA	Transmitter setting 0 → 100°C	Code Number G1/2A	Code Number G3/4A
50	-	-	084Z8210	084Z8230
80	-	-	084Z6140	084Z6164
100	-	-	084Z8211	084Z8231
150	-	-	084Z8212	084Z8232
200	-	-	084Z8213	084Z8233
250	-	-	084Z6139	084Z6141
50	✓	✓	084Z8214	084Z8234
80	✓	✓	084Z6142	084Z6144
100	✓	✓	084Z8215	084Z8235
150	✓	✓	084Z8216	084Z8236
200	✓	✓	084Z8217	084Z8237
250	✓	✓	084Z6143	084Z6145

MBT5113 Temperature sensor



The MBT 5113 is a heavy-duty temperature sensor that can be used for measuring and regulating exhaust gas from diesel engines, turbines and compressors within stationary and marine applications. This temperature sensor is based on a type K thermo couple, which measures temperatures up to 800 °C. The measuring insert can be changed even while operating the application.

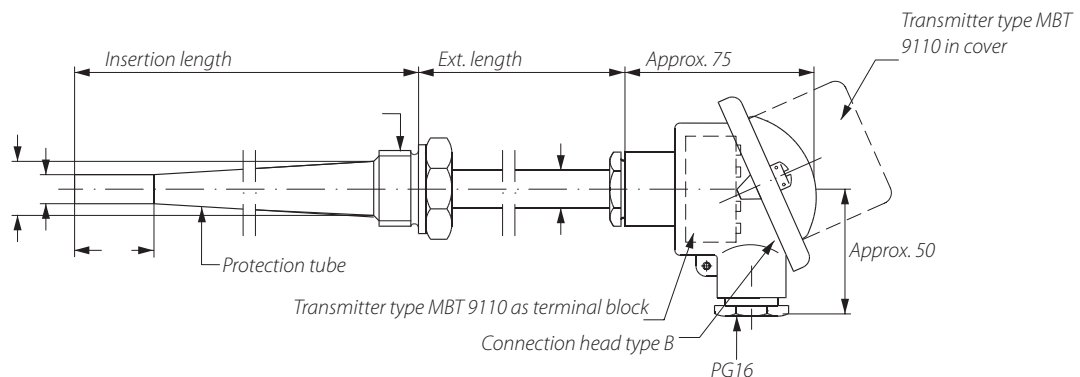
All parts in contact with the media are made of stainless steel AISI 316 Ti. The sensor is delivered with B-head as standard and, if needed, a transmitter (MBT 9110) can be ordered as an integrated part of the sensor.

- With thermocouple up to 800° C media temperature
- Available with built-in transmitter - with or without Eex ia IIC T4/T6 approval
- Available with all relevant marine approvals

New picture to be taken -
Irene Madsen

Dimensions and weight:

Weight: 0.48 - 1.04 kg
depending on insertion length
and process onnection
(excl. transmitter)



All dimensions in millimetres

Approvals: CE, LR, BV, DNV, GL, Class NK, RINA, ABS, KRS CCS

MBT5113 Temperature sensor

Measuring range: -50 to 800°C
Measuring element: Thermocouple
Connection head: B-head
Process connection: 3/4A

Insertion length mm	Transmitter output 4 → 20 mA	Transmitter range 0 - 600°C	Extension length mm	Code number
100	-	-	50	084Z5052
200	-	-	50	084Z5248
100	✓	✓	100	084Z5276
200	✓	✓	100	084Z5277

MBT5116 Temperature sensors



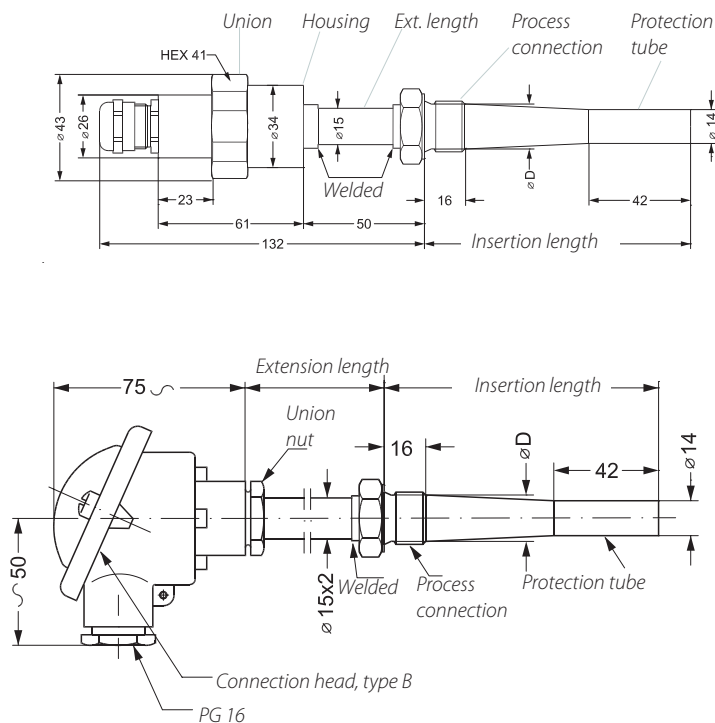
The MBT 5116 is a heavy-duty temperature sensor that can be used for measuring and regulating exhaust gas from diesel engines, turbines and compressors within stationary and marine applications. This temperature sensor is based on a standardized Pt100 element, which gives a reliable and accurate measurement. The Pt100 element is a thin film element specially designed for heavy-duty applications up to 600 °C.

The measuring insert can be changed even while operating the application. All parts in contact with the media are made of stainless steel AISI 316 Ti. The sensor is constructed to fit where there is limited space.

- Up to 600°C media temperature
- Can be used with 2- or 3-wire connections
- Robust and compact construction with extremely high resistance to shock and vibration according to IEC 68-2-6
- Easy exchange of measuring insert
- Pt 100 thin film technology specially developed for heavy duty applications
- Can be mounted in all positions
- Solid drilled protection tube
- Available with all relevant marine approvals

Dimensions and weight:

*Weight: 0.52 - 1.04 kg
depending on insertion length
and process connection
(excl. transmitter)*



All dimensions in millimetres

Approvals: CE, LR, GL, RINA, ABS, BV, DNV, Class NK, KRS, CCS

MBT5116 Temperature sensors

Measuring range: -50 to 600°C

Measuring element: Pt 100

Extension length: 50 mm

Process connection: 3/4A

B-head	Sensor design		Insertion length mm	Code number
	Slim-line Pg 9	Slim-line Pg 13.5		
✓			100	084Z5160
✓			200	084Z5025
✓			250	084Z5034
✓			300	084Z5026
	✓		100	084Z3257
	✓		200	084Z3260
	✓		250	084Z3261
	✓		300	084Z3262
		✓	100	084Z8150
		✓	200	084Z8154
		✓	250	084Z8155
		✓	300	084Z8156

Pressure and temperature switches

When it comes to demanding applications, Danfoss' know-how and expertise is unsurpassed. Our robust switches offer flawless performance day after day and are trusted in the most challenging situations in a variety of industries and applications, of which some are mentioned in the following.

Marine and railway equipment

Break down of essential functions in trains and ships due to failures in the controls and safety equipment can be dangerous, very costly and time consuming. These customers therefore choose partners who have a good reputation and superior products to offer, among others:

- Temperature and pressure control and alarm functions in lubrication oil systems – type KPS, CAS and MBC.
- Pressure control for air compressors – type MBC, KP and RT.
- Essential safety control on trains – type RT and CAS.

Water pumps and air compressors

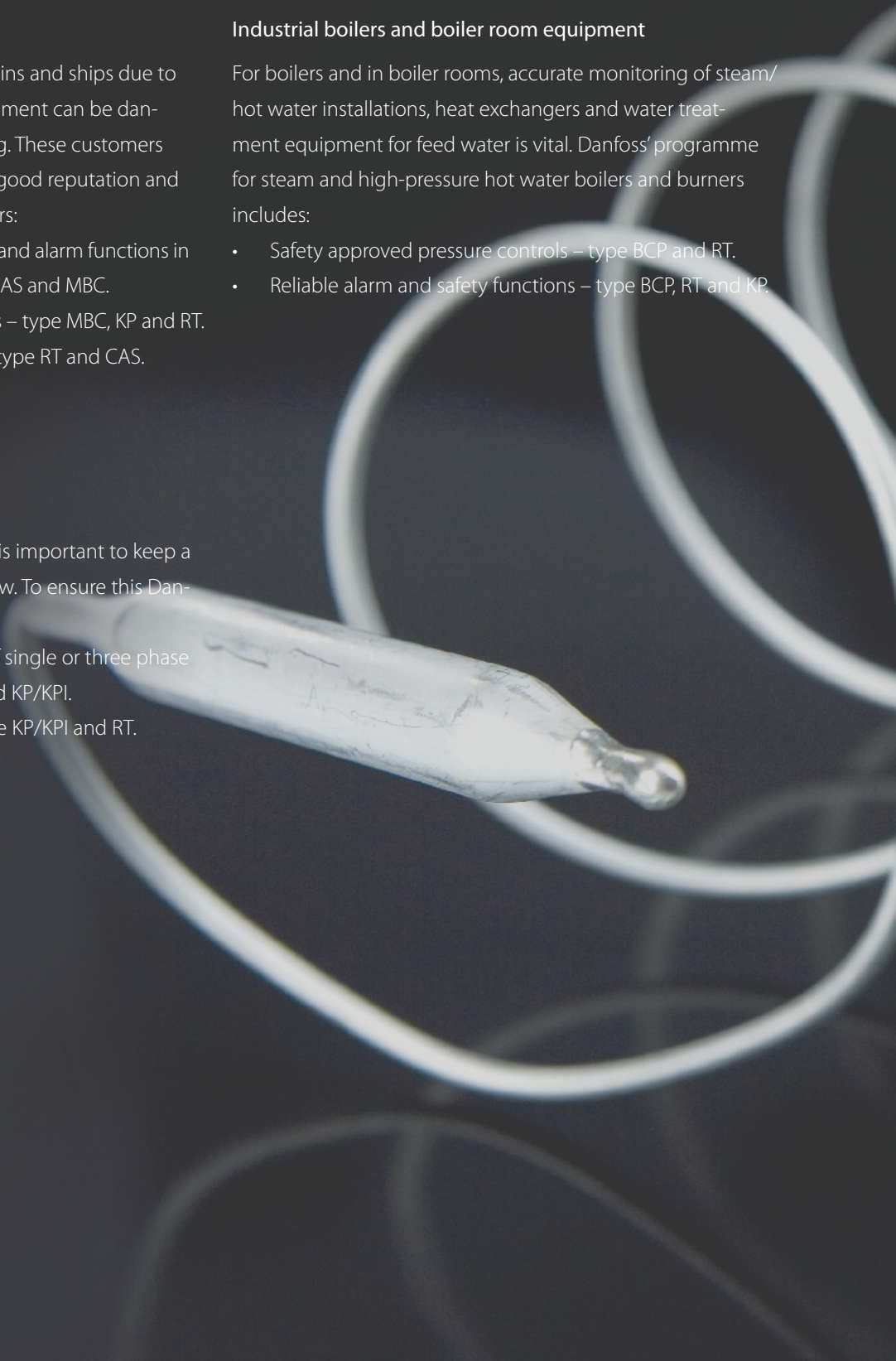
In water pumps and air compressors it is important to keep a constant pressure and a continuous flow. To ensure this Danfoss offers a range of switches for:

- Monitoring and direct start/stop of single or three phase motors – type RT, MBC, CS, CAS and KP/KPI.
- Dry run protection of pumps – type KP/KPI and RT.

Industrial boilers and boiler room equipment

For boilers and in boiler rooms, accurate monitoring of steam/hot water installations, heat exchangers and water treatment equipment for feed water is vital. Danfoss' programme for steam and high-pressure hot water boilers and burners includes:

- Safety approved pressure controls – type BCP and RT.
- Reliable alarm and safety functions – type BCP, RT and KP.



Hydraulic equipment and windmills

Danfoss switches are intended for flawless alarm indication, shut down, control and diagnostics in a variety of demanding applications:

- Cooling and lubrication systems for generators and gear-boxes – type MBC, KPS, KPI, KP, CAS and RT.
- Hydraulic units such as disk brakes and pitch cylinders – type MBC, KPS and RT.
- Power packs – type MBC and KP.

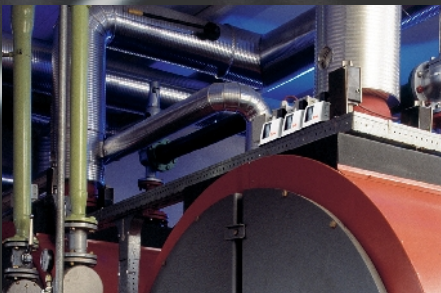
Autoclaves and sterilisers

High control and safety are essential within the autoclave process.

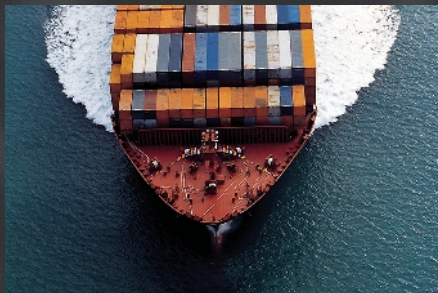
Temperatures and pressures must be controlled within narrow limits over time by products with high repeatability and trustworthy performance:

- Check of door sealing – type KP, BCP and RT.
- Pressure controls of steam supply – type KP, RT and BCP.
- Control and alarm of pressure in the process chamber – type BCP, KP and RT.

Examples



The BCP pressure switch packs all our expertise into a sleek, modern design. The advanced technology built into this durable boiler control sets new standards for reliability - and ensures a long life with a minimum of maintenance.



Marine applications where space and reliability are the most important features are the natural habitat of the MBC 5100 block-type pressure switch. With their high vibration resistance and all common marine approvals, they are trusted at high seas.

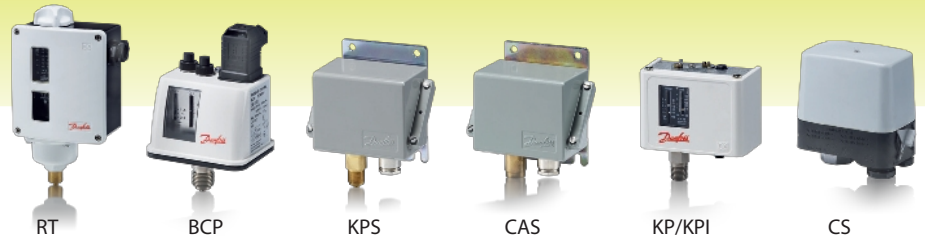


On wind turbines, helping to increase the amount of wind-produced power worldwide, the KPS temperature switch provides on-off limits when critical temperatures are reached.

Industrial Switches

In this catalogue

Pressure switches



Type

RT

BCP

KPS

CAS

KP/KPI

CS

Segments	Marine and railway equipment						
	Industrial boilers and boiler room equipment						
	Autoclaves and sterilisers						
	Water pumps and air compressors						
	Hydraulic equipment						
	Windmills						
Characteristics	Setting range	-1 → 30 bar	0.03 → 40 bar	0 → 60 bar	0 → 60 bar	-0.2 → 28 bar	2 → 20 bar
	Contact system	SPDT	SPDT	SPDT	SPDT	SPDT	TPST and SPST
	Electrical rating AC-3	4 A, 400 V	3 A, 250 V	6 A, 400 V	-	16/ 6 A, 400 V	12 A, 400 V
	Electrical rating AC-15	3 A, 400 V	2 A, 250 V	4 A, 400 V	0.1 A, 220 V	10/4 A, 400 V	-
	Electrical connection	Screw terminals	DIN plug	Screw terminals	Screw terminals	Screw terminals	Screw terminals
	Contact material	Silver or Gold	Silver or Gold	Gold	Silver	Silver or Gold	Silver
	Differential	Adjustable	Adjustable	Adjustable	Fixed	Adjustable	Adjustable
	Special approvals	Marine, TÜV	TÜV	Marine, UL	Marine	Marine	
	Degree of enclosure	IP 66 or IP 54	IP 65	IP 67	IP 67	IP 30, IP 44 or IP 55	IP 43 or IP 55
Design	Box industrial	Box industrial	Box heavy duty	Box heavy duty	Box	Box	
Adjustable neutral zone	Yes						































Railways and marine

Electric power and wind turbines



Industrial hydraulics, air compressors and water pumps

Boiler and boiler room equipment, sterilisers and autoclaves

Differential pressure switches				Temperature switches			
							
MBC	RT	CAS	MBC	RT	KPS	KP	MBC
							
							
							
							
							
							
-0.2 → 400 bar	0 → 11 bar	0.2 → 2.5 bar	0.3 → 5 bar	-60 → 300°C	-10 → 200°C	0 → 150 °C	-10 → 200°C
SPDT	SPDT	SPDT	SPDT	SPDT	SPDT	SPDT	SPDT
3 A, 250 V 0.5 A, 250 V	4 A, 400 V 3 A, 400 V	- 0.1 A, 220 V	3 A, 250 V 0.5 A, 250 V	4 A, 400 V 3 A, 400 V	6 A, 400 V 4 A, 400 V	16 A, 400 V 10 A, 400 V	3 A, 250 V 0.5 A, 250 V
DIN plug	Screw terminals	Screw terminals	DIN plug	Screw terminals	Screw terminals	Screw terminals	DIN plug
Silver	Silver or Gold	Silver	Silver	Silver or Gold	Gold	Silver	Silver
Fixed	Fixed	Fixed	Fixed	Adjustable	Adjustable	Adjustable	Fixed
Marine	Marine	Marine	Marine	Marine	Marine, UL	Marine, UL	Marine
IP 65	IP 66	IP 67	IP 65	IP 66 or IP 54	IP 67	IP 33, IP 44 or IP 55	IP 65
Compact	Box industrial	Box heavy duty	Compact	Box industrial	Box heavy duty	Box	Compact
	Yes			Yes			

Discover a variety of built-in benefits



Ongoing development of new technology and new features is at the very heart of Danfoss. We want our switches to be among the very best on the market – living up to your expectations.

1 Adjustable differential switching

Pressure and temperature controls have either fixed or adjustable differential settings, good readability, and high accuracy of range setting with use of the scale.

2 Bellows technology

The lifetime of a pressure and temperature switch is determined by the quality of the bellows. Using advanced technology, and being world leader, Danfoss' bellows are manufactured without any welding points, which makes them stress free and completely tight.

3 Designed for various applications

Danfoss offers a very broad range of purpose-specific enclosures and connections.

4 Snap action contacts

All contacts are "snap-action" types, maintaining the contact force until the moment of contact break. Units with gold-plated contacts are ideal for low electrical loads while the silver-cadmium contacts are developed for high loads.

15 international approvals

Danfoss offers a wide range of approvals suited for different industries and geographical markets.

High vibration stability

Outstanding vibration stability in switches ensures flawless operation even in heavy-duty applications.

Wide pressure ranges

The programme covers working ranges from -1 bar up to 400 bar.

High reliability

All switches feature high accuracy, repeatability and stability over time.

Different temperature sensing elements

As experts in charging technologies Danfoss offers temperature switches that operate in a wide temperature range.

RT pressure switches



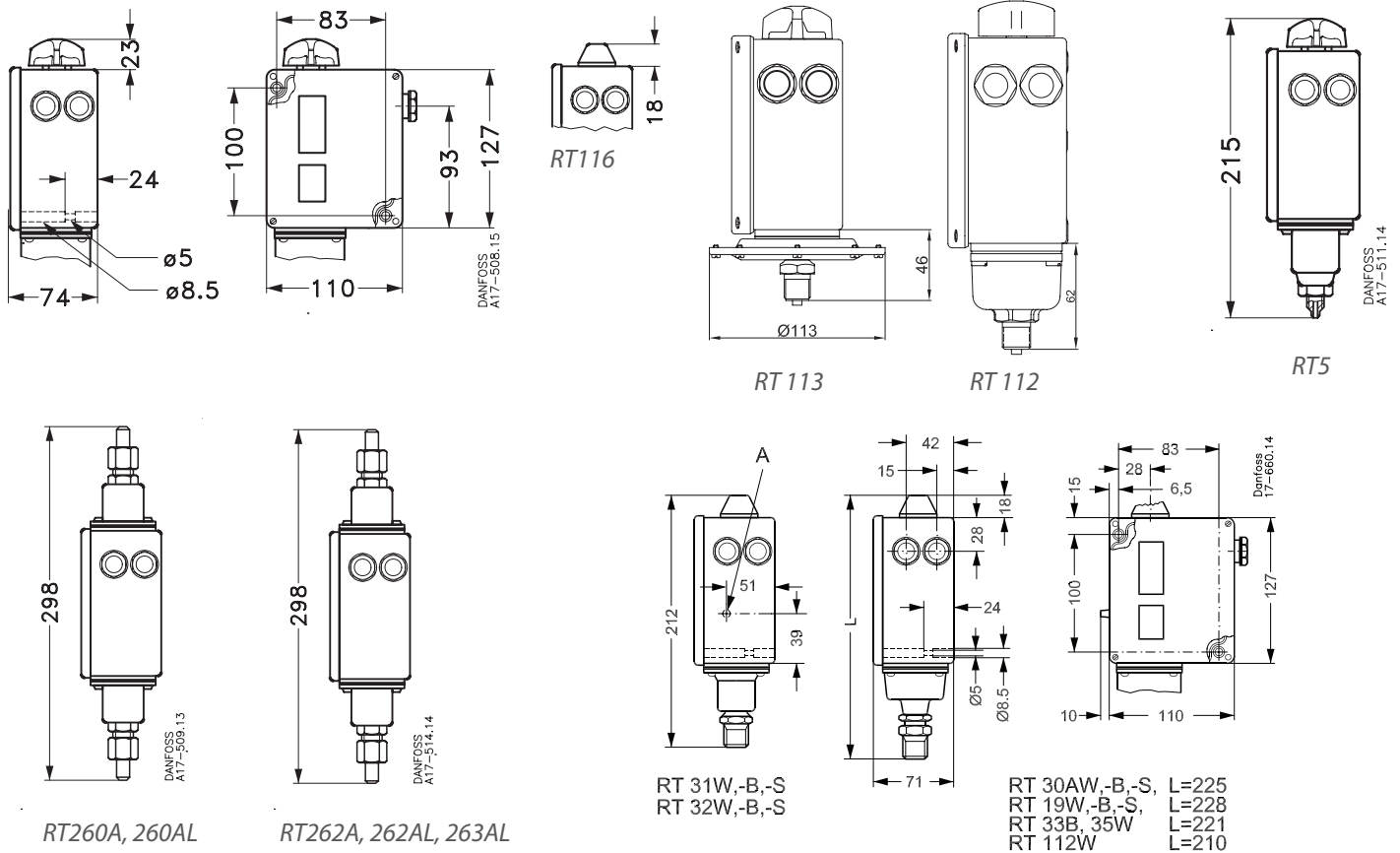
RT switches are used in general industrial, heating and marine sectors. The RT single pressure switches series consist of a variety of controls including neutral zone pressure switches and safety pressure switches for steam boiler plant.

RT switches have been in service for more than 70 years.

- Pressure ranges: -1 to 30 bar
- Replaceable contact system
- Also available with gold plated contact systems
- Fail-safe design
- Adjustable differential
- Adjustable neutral zone
- Enclosure IP66
- Available with TÜV approvals
- Available with min. and max. reset function (IP54)
- Also available as differential switch
- Available with all relevant marine approvals

Dimensions and weight:

Weight: Appr. 1 kg



All dimensions in millimetres

Approvals: CE marked in accordance with EN60947-4/-5. Relevant marine approvals.

RT pressure switches

Contact type: SPDT
Contact material: Silver cadmium oxide (other contact types - see accessories)
Loads: AC-1 ohmic 10A 400V
 AC-3 (motor) 4A 400V
 AC-15 (inductive) 3A 400V
Ambient temperature: -50 to 70°C



RT pressure switches

Pressure connection: G 3/8 A

Type	Setting range bar P _e	Mechanical differential bar	Max. working pressure bar P _e	Reset		Code number
				Auto- matic	Min. Max.	
RT121	-1 → 0	0.09 → 0.4	7.0	✓		017-521566
RT113 ¹⁾	0 → 0.3	0.01 → 0.05	0.4	✓		017-519666
RT112	0.1 → 1.1	0.07 → 0.16	7.0	✓		017-519166
RT112	0.1 → 1.1	0.07	7.0		✓	017-519266
RT110	0.2 → 3	0.08 → 0.25	7	✓		017-529166
RT200	0.2 → 6	0.25 → 1.2	22	✓		017-523766
RT200	0.2 → 6	0.25	22		✓	017-523866
RT200	0.2 → 6	0.25	22	✓		017-523966
RT116	1 → 10	0.3 → 1.3	22	✓		017-520366
RT116	1 → 10	0.3	22		✓	017-520466
RT116	1 → 10	0.3	22	✓		017-519966
RT116 ²⁾	1 → 10	0.3 → 1.3	22	✓		017-520066
RT5	4 → 17	1.2 → 1.3	22		✓	017-509466
RT5	4 → 17	1.2 → 4	22	✓		017-525566
RT117	10 → 30	1 → 4	42	✓		017-529566

¹⁾Ambient temperature: -10 to 70°C

²⁾Tamper proof setting knob



RT pressure switches with neutral zone

Pressure connection: G 3/8 A

Type	Setting range bar P _e	Mechanical differential bar	Adjustable neutral zone bar	Max. working pressure bar P _e	Code number
RT 200L	0.2 → 6	0.25	0.25 → 0.7	22	017L003266

RT pressure switches for steam plant

Pressure connection: G½ A



Type	Setting range bar P _e	Mechanical differential bar	Max. working pressure bar P _e	Reset		Code number
				Auto- matic	Min. Max.	
PED approved. For rising pressure. Ambient temperature: -40 - 70°C						
RT112W	0.1 → 1.1	0.07	7	✓		017-528266
RT35W	0 → 2.5	0.1	7	✓		017-528066
RT30AS	1 → 10	0.4	22		✓	017-518966
RT30AB	1 → 10	0.6	22		✓	017-518866
RT30AW	1 → 10	0.8	22	✓		017-518766
RT19B	5 → 25	1.0	42		✓	017-518266
RT19W	5 → 25	1.2	42	✓		017-518166
PED approval. For falling pressure. Ambient temperature: -40 - 70°C						
RT33B	0 → 2.5	0.1	7		✓	017-526266
RT31W	2 → 10	0.3 → 1	22	✓		017-526766
RT31B	2 → 10	0.3	22		✓	017-526866
RT31S	2 → 10	0.3	22		✓	017-526966

Differential pressure switches

Pressure connection: G 3/8 A



Type	Setting range bar P _e	Mechanical differential bar	Operation range bar	Max. working pressure bar P _e	Code number
RT262A	0.1 → 1.5	0.1	-1 → 9	11	017D002566
RT262A	0 → 0.3	0.035	-1 → 10	11	017D002766
RT260A	0.5 → 4	0.3	-1 → 18	22	017D002166
RT260A	0.5 → 6	0.5	-1 → 36	42	017D002366
RT260A	1.5 → 11	0.5	-1 → 31	42	017D002466

Differential pressure switches with adjustable neutral zone

Pressure connection: G 3/8 A



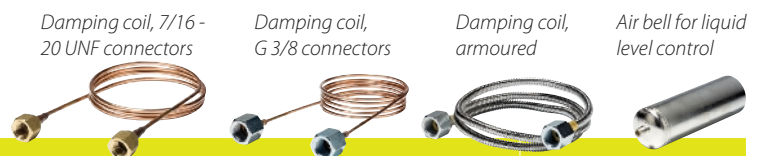
Type	Setting range bar P _e	Mechanical differential bar	Adjustable neutral zone bar	Operation range bar	Max. working pressure bar P _e	Code number
RT263AL	0.1 → 1	0.05	0.05 → 0.23	-1 → 6	7	017D004566
RT260AL	0.5 → 4	0.3	0.3 → 0.9	-1 → 18	22	017D004866

Spareparts and accessories for RT pressure switches

Type	Version	Description	
Contact system	Standard	Snap action single-pole changeover switch (SPDT) with silver cadmium oxide contact. Fitted in all standard versions of type RT	017-403066
Contact system	Standard	Snap action single-pole changeover switch (SPDT) with gold plated (oxide free) contact surfaces. Increases cut-in reliability on alarm and monitoring systems etc.	017-424066
Contact system	Max reset	Snap action single-pole changeover switch (SPDT) with silver cadmium oxide contact. Designed for RT units performing max reset function.	017-404266
Contact system	Min reset	Snap action single-pole changeover switch (SPDT) with silver cadmium oxide contact. Designed for RT units performing min reset function.	017-404166



Type	Description	
Setting knob	Replacement. Pale grey Ral 7035	017-436366
Seal cap	Seal cap to replace setting knob so that setting can only be altered with tools (tamper proof seal cap). Black	017-436066
Screws	Seal screws for cover and seal cap	017-425166
Solder nipple	Pipe thread ISO 228/1, G 3/8 connector, nipple and AL washer (10 mm ext. / 8 mm int. diam). for soldering onto steel or copper tubing. Steel span of jaws: 22	017-436866
Reducer	Pipe thread ISO 228/1, G1/2A x G 3/8, steel, span of jaws 22	017-421966
Reducer	Pipe thread ISO 228/1, G3/8 x 7/16 - 20 UNF reducer, washer, brass, span of jaws 22	017-420566
Adaptor	Pipe thread ISO 228/1, G3/8 A x R 3/8 (ISO 7/1) brass, span of jaws 17	060-324166



Type	Description	
Damping coil	1 m. damping coil with 7/16 - 20 UNF connectors. Reducer code no 017-420566 is necessary if the damping coil is to be used with RT units with pipe thread: ISO 228/1, G3/8 connection.	060-019166
Damping coil	Pipe thread ISO 228/1, damping coil with G 3/8 connector and 1.5 m copper capillary tube. Standard washers are supplied	060-104766
Armoured damping coil	Pipe thread ISO 228/1, damping coil with G 3/8 connector and 1 m. copper capillary tube. Standard washers are supplied	060-333366
Air bell for liquid level control	Air bell for liquid level control RT113. 62 mm diam. ext x 204 mm length. Pipe thread ISO 228/1, G 3/8 connector and nipple (10 mm o.d./6.5 mm i.d.) for welding or brazing on to steel or copper tubing. Brass.	017-401366

The BCP pressure switch for reliable boiler control

A series of dedicated pressure switches, BCPs control, monitor and limit the pressure in steam and hot water boilers. Simple to install and operate, BCP pressure switches combine advanced technology, durability and design to provide failsafe boiler operation.

Fluid temperature

The BCP can cope with fluid temperatures up to 120° C. For temperatures above 120°C, a water-filled loop must be installed.

Pressure range from 0 to 40 bar

The BCP is designed to handle a wide pressure range from low pressure BCP1 with a narrow differential, to high pressure BCP7.

Plug and play (DIN 43650)

A DIN 43650 plug and an external reset – operated by a screwdriver – makes electrical installation and operation easy.

Manual reset with a standard screwdriver

All BCP pressure switches are available with an automatic reset for boiler operations, or a manual reset to be used as a safety limit switch.

Failsafe versions

For added safety, dual bellows enable an off function (safety cut-out) if a fault occurs.

Approvals

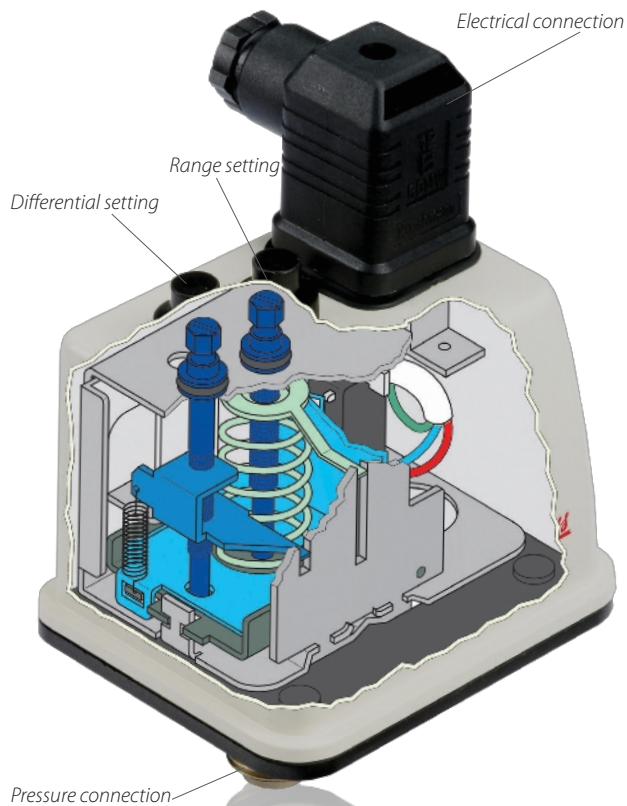
The BCP range is CE-marked in accordance with EN 60730-1, VdTÜV-Merkblatt Druck 100 TÜV. SDWFS/SDBFS. 08 – 335 and PED 97/23/ED, category IV, safety equipment. It is tested according to EN12952-11 and EN12953-9.

Bracket for wall and DIN rail mounting

The BCP can be directly mounted on the pressure connection or wall mounted with a bracket.

User friendly

- Easy external adjustment of the pressure setting and pressure differential
- Separate scales for pressure setting and differential setting



BCP pressure controller / pressure limiter

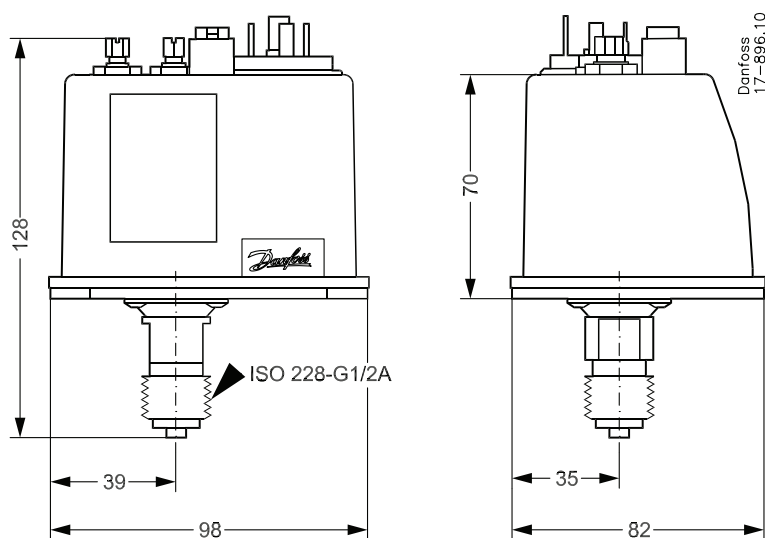


The BCP type is a series of dedicated pressure switches for control, monitoring and safety of steam and hot water boilers. The BCP incorporates a single-pole changeover microswitch where the contact position depends on the pressure in the connection port and the range set value. For installations, in which operation is particularly critical for safety reason, the use of fail-safe control is recommended.

- Available as high and low pressure limiters as well as pressure controllers
- Wide pressure range: from low pressure BCP1 with narrow differential to high pressure BCP7
- The fail-safe dual bellows enable premature cut-out when fault occurs
- Din plug mounted on the top of control for easy electrical wiring
- Single-pole changeover switch (SPDT), switch + alarm
- Direct mounting on pressure connection or wall mounting by means of a bracket
- Versions with automatic and manual resets available
- Screw adjustments made on top of housing
- Manual reset for pressure limiters possible only by means of tools
- Version with gold plated contact for electronic devices

Dimensions and weight:

Weight: 0.5 kg



Dimensions in millimetres

Approvals: CE marked in accordance with EN60730-1 and PED 97/23.

BCP pressure controller/ pressure limiter

Contact type: SPDT
Contact material: Gold plated silver. (On request silver cadmium oxide is available for higher loads)
Loads: AC-1 (ohmic) 6A 250V
 AC-15 (inductive) 1 A 250V
Pressure connection: G $\frac{1}{2}$ A
Enclosure: IP 65
Ambient temperature: -20 to 70 °C



BCP pressure controller, automatic reset

Type	Setting range bar P _e	Differential bar	Max. working pressure bar P _e	Max. test pressure bar P _e	Code number
BCP1	0.1 → 1.1	0.15 → 0.6	6	7	017B0002
BCP2	0 → 2.5	0.4 → 1	10	11	017B0006
BCP3	0 → 6	0.7 → 1.4	16	18	017B0010
BCP4	1 → 10	1 → 2.5	25	28	017B0014
BCP5	2 → 16	2 → 3.2	32	35	017B0018
BCP6	5 → 25	2.5 → 4	40	45	017B0022
BCP7	10 → 40	3 → 6	63	70	017B0026

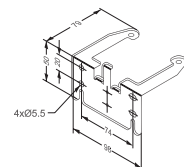


BCP pressure limiter

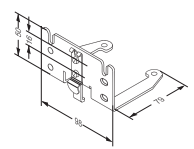
Type	Setting range bar P _e	Differential bar	Max. working pressure bar P _e	Max. test pressure bar P _e	Code number
For falling pressure, minimum reset					
BCP2L	0 → 2.5	0.2	10	11	017B0058
BCP3L	0 → 6	0.4	16	18	017B0062
BCP4L	1 → 10	0.45	25	28	017B0066
BCP5L	2 → 16	1.2	32	35	017B0070
BCP6L	5 → 20	1.2	40	45	017B0074
For rising pressure, maximum reset					
BCP1H	0.1 → 1.1	0.1	6	7	017B0030
BCP2H	0 → 2.5	0.2	10	11	017B0034
BCP3H	0 → 6	0.4	16	18	017B0038
BCP4H	1 → 10	0.45	25	28	017B0042
BCP5H	2 → 16	1.2	32	35	017B0046
BCP6H	5 → 25	1.5	40	45	017B0050
BCP7H	10 → 40	2.3	63	70	017B0054

Spareparts for BCP pressure switch

Description	Code numbers
Bracket for wall mounting	017B1018
Bracket for 35 mm rail mounting	017B1019

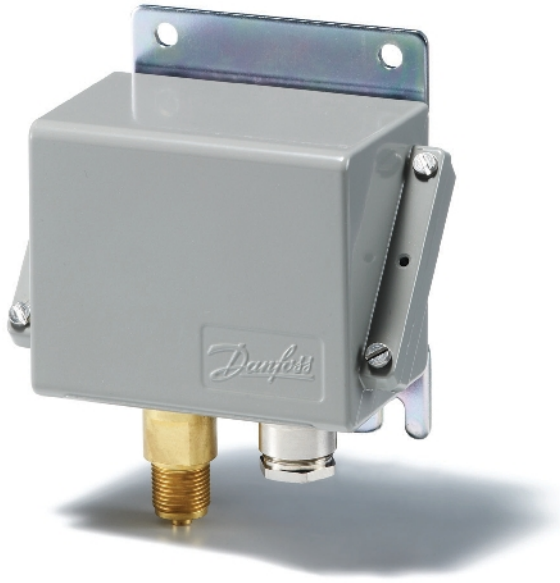


For wall mounting



For 35 mm rail mounting

KPS heavy-duty pressure switches



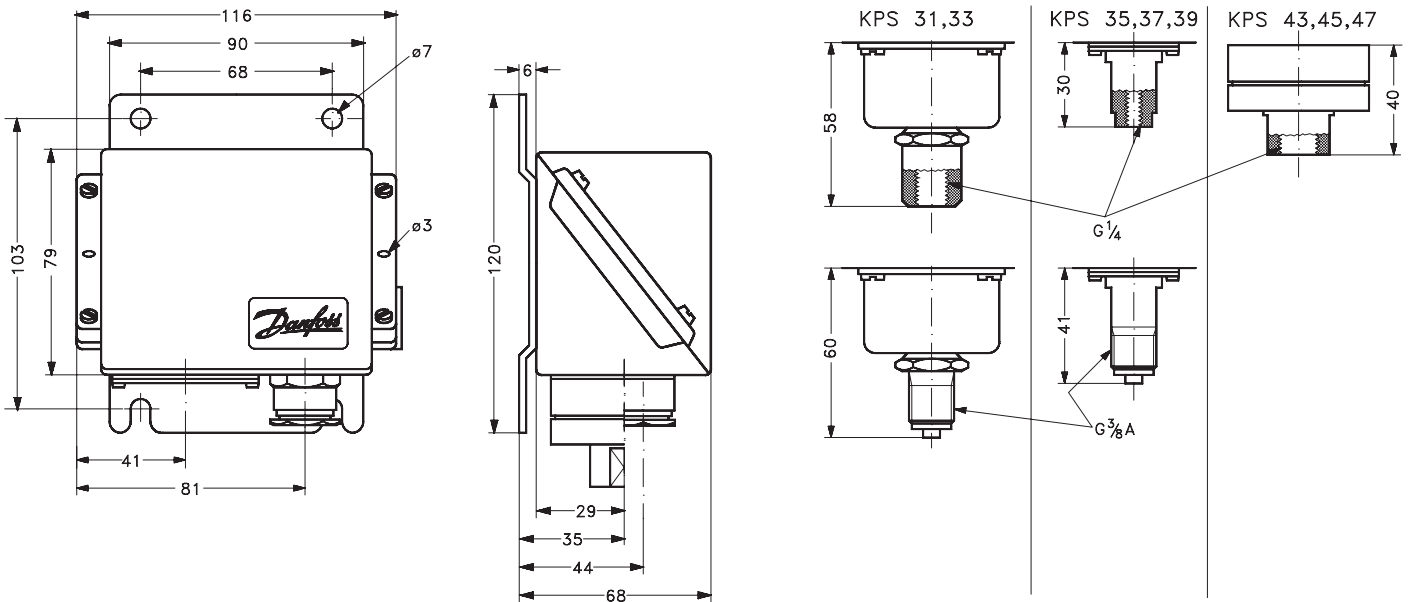
In the KPS series, special attention has been given to meeting important demands for a high level of enclosure, a robust, compact construction and resistance to shock and vibration.

The KPS range covers most outdoor as well as indoor application requirements, and are suitable for use in alarm and regulation systems in factories, diesel plant, compressors, powerstation and on board ships.

- Pressure ranges: 0 to 60 bar
- Gold plated contact systems
- Adjustable or fixed differential
- Robust and compact construction
- Resistance to shock and vibrations
- Diaphragm version for applications with: Pulsations/pressure peaks
- Also sea water as media
- Enclosure IP67. Sturdy and sea water resistant.
- Available with all relevant marine approvals

Dimensions and weight:

Weight:
 KPS 31-39: 1.0 kg
 KPS 43 - 47 1.3 kg



Dimensions in millimetres

Approvals: CE marked in accordance with EN60947-4/-5. UL E73170. All relevant marine approvals

KPS heavy-duty pressure switches

Contact type: SPDT
Contact material: Gold plated silver
Loads: AC-1 (ohmic) 10A 440V
 AC-3 (motor) 6A 440V
 AC-15 (inductive) 4A 440V
Enclosure: IP67



Type	Setting range bar P _e	Differential bar	Max. working pressure bar P _e	Connection size		Code number
				G 1/4 A	G 3/8 A	

Controls for low and medium pressure. Ambient temperature: -40 - 70 °C

KPS31	0 → 2.5	0.1	6		✓	060-310966
KPS31	0 → 2.5	0.1	6	✓		060-311066
KPS33	0 → 3.5	0.2	10		✓	060-310366
KPS33	0 → 3.5	0.2	10	✓		060-310466
KPS35	0 → 8	0.4 → 1.5	12		✓	060-310066
KPS35	0 → 8	0.4 → 1.5	12	✓		060-310566
KPS35	0 → 8	0.4	12	✓		060-310866
KPS37	6 → 18	0.85 → 2.5	22		✓	060-310166
KPS37	6 → 18	0.85 → 2.5	22	✓		060-310666
KPS39	10 → 35	2 → 6	45		✓	060-310266
KPS39	10 → 35	2 → 6	45	✓		060-310766

Controls for high pressure and strongly pulsating media. Ambient temperature: -25 - 70 °C

KPS43	1 → 10	0.7 → 2.8	120	✓		060-312066
KPS45	4 → 40	2.2 → 11	120	✓		060-312166
KPS47	6 → 60	3.5 → 17	120	✓		060-312266

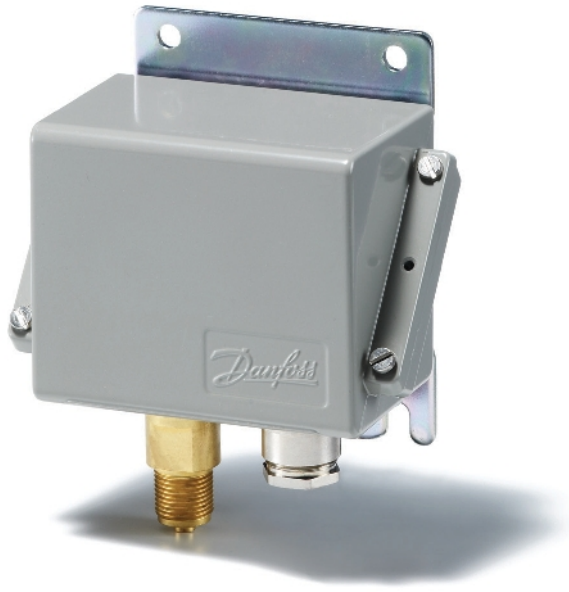
Spareparts for KPS



Description	Code numbers
Reducer. G 3/8 x 7/16 - 20 UNF (1/4 flare) reduction with washer	017-420566
Adaptor G 3/8 A x 1/4 - 18 NPT with washer	060-333666
Nipple G 1/4 A x G 3/8 A	060-333266
Damping coil with 1/4 flare connectors and 1 m copper capillary tube. Damping coils used for applications with 3/8 RG connector requires the use of reducer.	060-017166
Damping coil with G 3/8 connectors and 1.5 m copper capillary tube	060-104766
Armoured damping coil with 3/8 connectors and 1 m armoured capillary tube. Standard washers included.	060-333366



CAS heavy-duty pressure switches

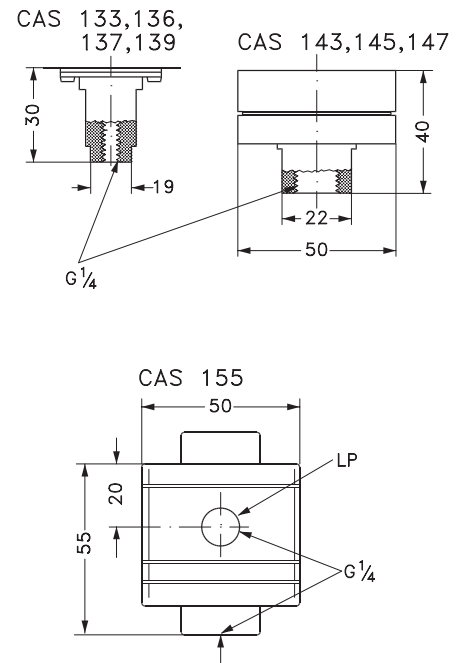
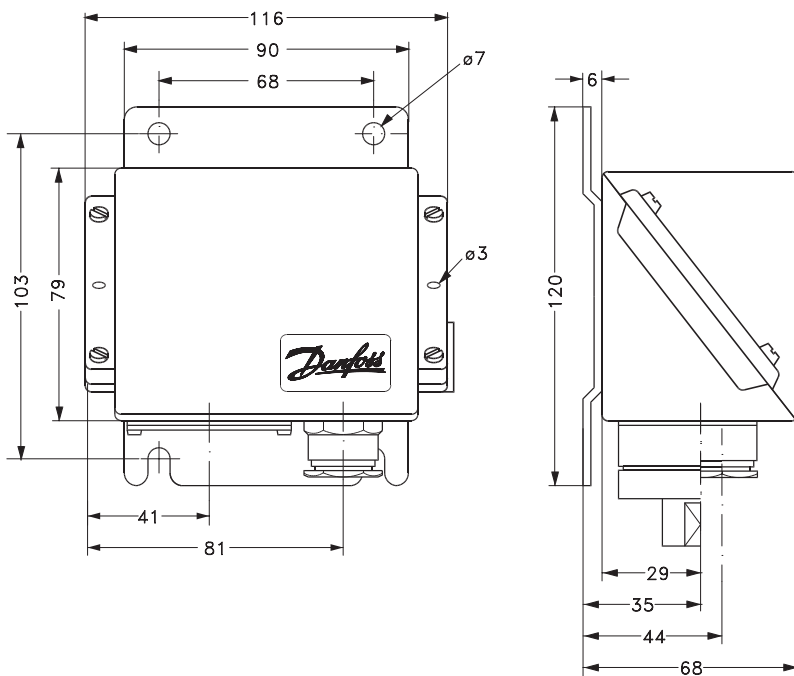


In the CAS pressure switches series, special attention has been given to meeting demands for a high level of enclosure, low differential, robust, compact construction and resistance to shock and vibration. The CAS series covers most outdoor as well as indoor application requirements. CAS pressure switches are suitable for use in alarm and regulation systems in factories, diesel plant, compressors, power stations and on board ships.

- Pressure ranges: 0 to 60 bar
- Low differential (fixed) micro switch
- Enclosure IP67. Sturdy and sea water resistant
- Robust and compact construction
- Resistance to shock and vibrations
- Diaphragm version applications with: Pulsations/pressure peaks and seawater as media
- Also available as differential pressure switch
- Available with all relevant land and marine approvals

Dimensions and weight:

Weight:
 CAS 133 - 139 1.0 kg.
 CAS 143 - 147 1.3 kg.



All dimensions in millimetres

Approvals: CE marked in accordance with EN 60947-5. All relevant land and marine approvals.

CAS Heavy-duty pressure switches with pipe thread connection

Contact type: SPDT
 Loads: AC-1 (ohmic)
 AC-3 (motor)
 AC15 (inductive) 0.1 A 220V
 Pressure connection: G 1/4 A



Type	Setting range bar P _e	Differential bar	Max. working pressure bar P _e	Code number
Ambient temperature: -40 - 70 °C				
CAS133	0 → 3.5	0.1	10	060-315066
CAS136	0 → 10	0.2	22	060-315166
CAS137	6 → 18	0.3	27	060-315266
CAS139	10 → 35	0.6	53	060-315366

CAS pressure switches for high pressure and strongly pulsating media

Ambient temperature: -25 - 70 °C

CAS143	1 → 10	0.2 → 0.6	120	060-316066
CAS145	4 → 40	0.8 → 2.4	120	060-316166
CAS147	6 → 60	1 → 3	120	060-316266

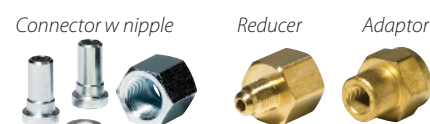
CAS differential pressure switch

Pressure connection: 2 x G 1/4. Ambient temperature: -25 - 70 °C



Type	Setting range bar P _e	Differential bar	Max. working pressure bar P _e	Code number
CAS155	0.2 → 2.5	0.1	0 → 8	060-313066

Spare parts for CAS pressure switch



Description	Code numbers
Connector with nipple. Pipe thread ISO 228/1, G 3/8 connector, nipple and AL washer (10 mm ext. / 8 mm int. diam). for soldering onto steel or copper tubing. Steel span of jaws: 22	017-436866
Connector with nipple. G 3/8 connector nipple and washer (10 mm ext. / 6.5 mm int. diam). For welding. Steel span of jaws: 22	017-422966
Reducer. G 3/8 x 7/16 - 20 UNF (1/4 flare) reduction with washer	017-420566
Adaptor G 3/8 A x 1/4 - 18 NPT with washer	060-333666
Nipple G 1/4 A x G 3/8 A	060-333266
Damping coil with G 3/8 connectors and 1.5 m copper capillary tube	060-104766
Armoured damping coil with 3/8 connectors and 1 m armoured capillary tube. Standard washers included.	060-333366



The KPI pressure switch for liquid and gaseous media

Designed to control and monitor industrial application systems, the KPI is a compact and robust solution that offers safety and longevity.

Wide setting range

Available in pressure ranges from -0.2 to 28 bar, there is a KPI with the pressure setting you require.

Pressure control for most industrial applications

Easy and stable setting values make it easy to control liquid and gaseous media in most industrial applications, e.g. pumps and compressors

Easy to install

The small dimensions of the KPI saves space and makes it easy to install.

Shock and impact resistant

Vibration-proof from 0 to 1000 Hz, 4g ($1g = 9.81m/s^2$), the KPI is ideal for mobile applications where shock and strokes occur.

Ultra-short bounce times

The perfect Single Pole Double Throw (SPDT) snap-function minimises wear during each operation and extends contact life.

Cable entry for 6-14 mm diameter cables

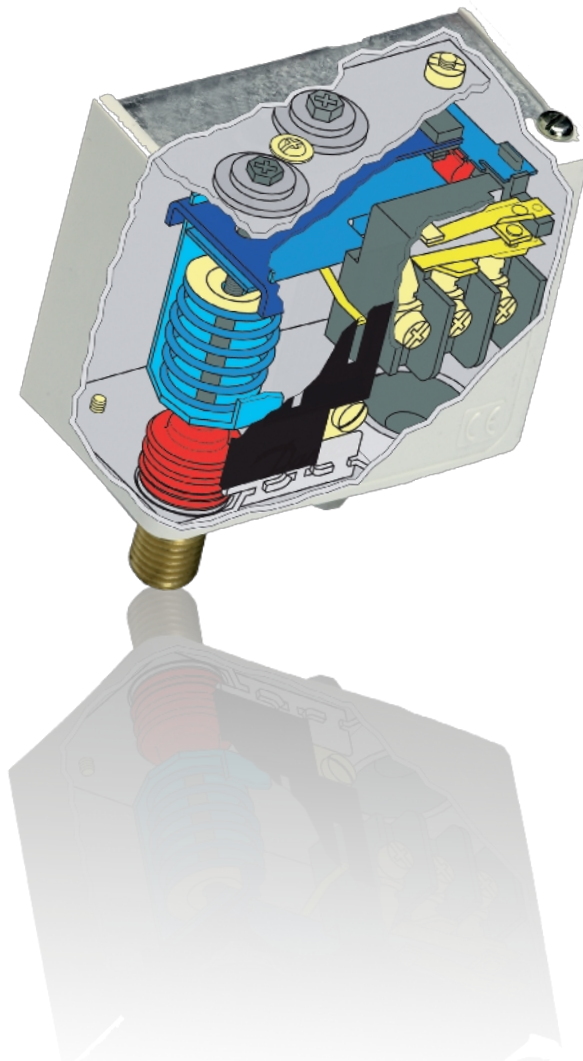
Two cable entries on the front of the pressure switch provide a number of possible electrical cable connections.

High contact load

The SPDT's silver contacts can cope with loads up to 16A, 400V AC3. And gold contacts are also available to ensure perfect function with low electrical loads.

Longevity

On average, the KPI can perform more than 400,000 electrical operations during its lifetime, which is four times more than approval requirements.



KPI pressure switches for light industry

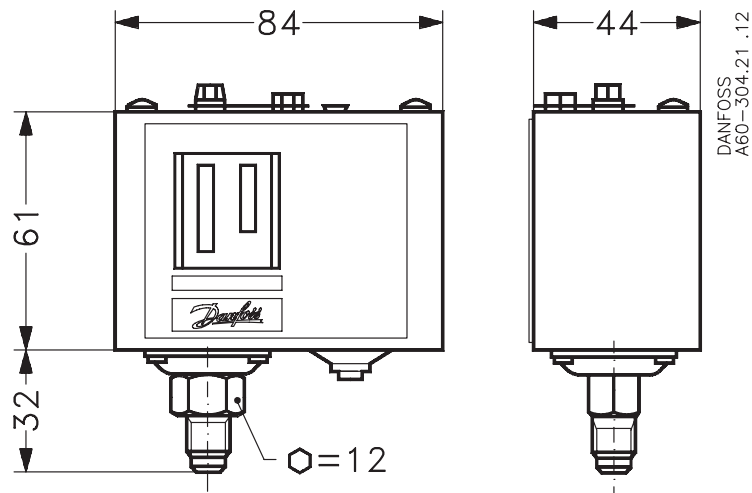


Danfoss KPI pressure switches are used for control, monitoring and alarm systems in industrial applications. The KPI series are suitable for plant in connection with liquid and gaseous media. They are fitted with a single-pole switch changeover (SPDT).

- Pressure ranges: -0.2 to 28 bar
- High contact load
- Ultra short bounce-time
- Available with gold plated contact systems
- Adjustable differential
- Scale for setting of range and differential
- Enclosure IP44 when mounted with top cover and back plate
- Snap action contact system with omega spring

Dimensions and weight:

Weight: 0.3 kg



All dimensions in millimetres

Approvals: CE marked in accordance with EN60947-4/-5. Electrical safety certificate - FM. UL E31024.

KPI pressure switches for light industry with pipe thread connection

Contact function: SPDT
Contact material: Silver cadmium oxide
Loads: AC-1 ohmic 10A 440V
 AC-3 (motor) 6A 440V
 AC-15 (inductive) 4A 440V
Reset: Automatic
Pressure connection: G 1/4A
Ambient temperature: -40 to 65°C
Enclosure: IP 30, IP 33 when wall mounted, IP 44 with top plate



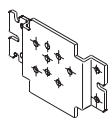
Type	Setting range bar P _e	Differential bar	Max. working pressure bar P _e	Code number
KPI 35	-0.2 → 8	0.4 → 1.5	18	060-121766
KPI 35 ¹⁾	-0.2 → 8	0.4 → 1.5	18	060-316466
KPI 35	-0.2 → 8	0.5 → 2	18	060-121966
KPI 36	2 → 12	0.5 → 1.6	18	060-316966
KPI 36 ¹⁾	4 → 12	0.5 → 1.6	18	060-113866
KPI 36	2 → 12	0.5 → 1.6	18	060-319466
KPI 36	4 → 12	0.5 → 1.6	18	060-118966
KPI 38	8 → 28	1.8 → 6	30	060-508166

¹⁾ Contact material: Gold plated silver

Spareparts and accessories for KPI pressure switch

Type	Description	Code numbers
Wall bracket	Mounting screw and washers included	060-105566
Angle bracket	Mounting screw and washers included	060-105666
Seal screw for locking plate	Seal screw according to DIN 405, for locking of setting point	060-105766
Screwed cable entry	Pg 13.5 with special nut. For 6-14 mm diameter cables	060-105966
Top cover	For single control. If a wall or angle bracket is mounted on the backplate of the housing, the KP will have an IP 44 grade of enclosure by means of this cover	060-109766
IP 55 enclosure	For single control. Specially designed IP 55 enclosure, not transparent	060-033066

Brackets



For wall mounting



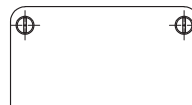
For 35 mm rail mounting



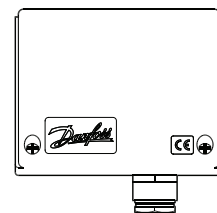
Seal screw



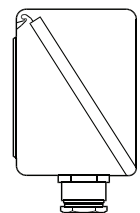
Screwed cable entry



Top cover



IP 55 enclosure



KP pressure switches for light industry



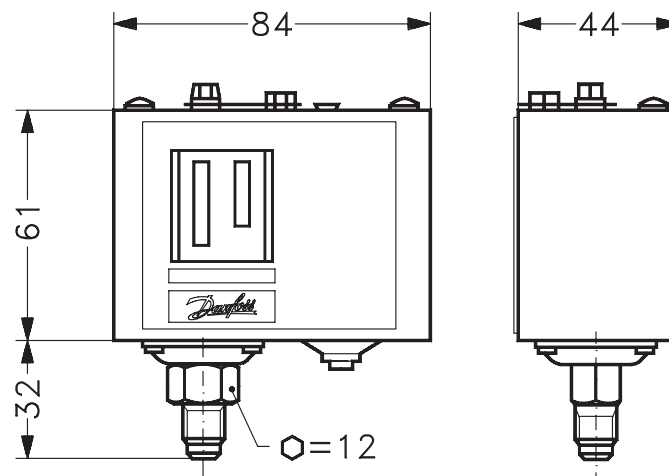
Danfoss KP pressure switches are used for control, monitoring and alarm systems in industrial applications.

The KP series are suitable for gaseous media and air. They are fitted with a single-pole switch changeover (SPDT), and can control single-phase ac motors of up to 2 kW directly.

- Pressure ranges: -0.2 to 21 bar
- High contact load - Ultra short bounce-time
- Also available with gold plated contact systems
- Media: Gaseous media and air
- Enclosure IP44 when mounted with top cover and back plate
- Small dimensions - space saving - easy to install

Dimensions and weight:

Weight: 0.34 kg



KP 35 and KP 36

All dimensions in millimetres

Approvals: CE marked in accordance with EN60947-4/-5. Electrical Safety Certificate - FM. UL E31024. Relevant marine approvals.

KP pressure switches for light industry with pipe thread connection

Contact system: SPDT
Contact material: Silver cadmium oxide
Loads: AC-1 ohmic 16A 400V
 AC-3 (motor) 16A 400V
 AC-15 (inductive) 10A 400V
Reset function: Automatic
Ambient temperature: -40 to 65°C



Type	Setting range bar P _e	Differential bar P _e	Max. working pressure bar P _e	Enclosure	Code number
Pressure connection: G1/4A					
KP35	-0.2 → 7.5	0.7 → 4	17	IP30 ²⁾	060-113391
KP35	-0.2 → 7.5	0.7 → 4	17	IP55	060-538666
KP35 ¹⁾	-0.2 → 7.5	0.7 → 4	17	IP30 ²⁾	060-504766
KP36 ¹⁾	2 → 14	0.7 → 4	17	IP30 ²⁾	060-113766
KP36	2 → 14	0.7 → 4	17	IP30 ²⁾	060-110891
KP36	2 → 14	0.7 → 4	17	IP55	060-538766
KP36 ¹⁾	4 → 12	0.5 → 1.6	17	IP30 ²⁾	060-114466
KP36	4 → 12	0.5 → 1.6	17	IP30 ²⁾	060-122166

¹⁾ Contact material: Gold plated silver

²⁾ IP 33 when wall mounted, IP 44 with top plate

KP pressure switches for boilers

Contact system: SPDT
Contact material: Silver cadmium oxide
Loads: AC-1 (ohmic) 16 A 400 V
 AC-3 (motor) 16 A 400 V
 AC-15 (inductive) 10 A 400 V
Reset function: Manual or Automatic
Media temperature: - 40° to 100° C
Pressure connection: G½ A
Enclosure: IP 30, IP 33 when wall mounted, IP 44 with top plate

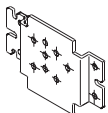


Type	Setting range bar P _e	Differential bar P _e	Max. working pressure bar P _e	Reset	Code number
KP 34	0.1 – 1	0.1 – 4	4.0	Automatic	060-216466
KP 34	0.1 - 1	0.2 fixed	4.0	Manual	060-216366
KP 35	0.4 – 3.4	0.4 – 2.2	10	Automatic	060-216666
KP 35	0.4 – 3.4	0.5 fixed	10	Manual	060-216566
KP36	1 – 10	0.7 – 4	17	Automatic	060-215966
KP 36	1 - 10	0.7 fixed	17	Manual	060-216066
KP 37	4 – 20	1.8 – 3.1	28	Automatic	060-216166
KP 37	4 – 20	3.0 fixed	28	Manual	060-216266

Spareparts and accessories for KP pressure switch

Type	Description	
Wall bracket	Mounting screw and washers included	060-105566
Angle bracket	Mounting screw and washers included	060-105666
Seal screw for locking plate	Seal screw according to DIN 405, for locking of setting point	060-105766
Screwed cable entry	Pg 13.5 with special nut. For 6-14 mm diameter cables	060-105966
Top cover	For single control. If a wall or angle bracket is mounted on the backplate of the housing, the KP will have an IP 44 grade of enclosure by means of this cover	060-109766
IP 55 enclosure	For single control. Specially designed IP 55 enclosure , not transparent	060-033066

Brackets



For wall mounting



For 35 mm rail mounting



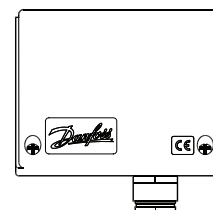
Seal screw



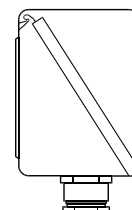
Screwed cable entry



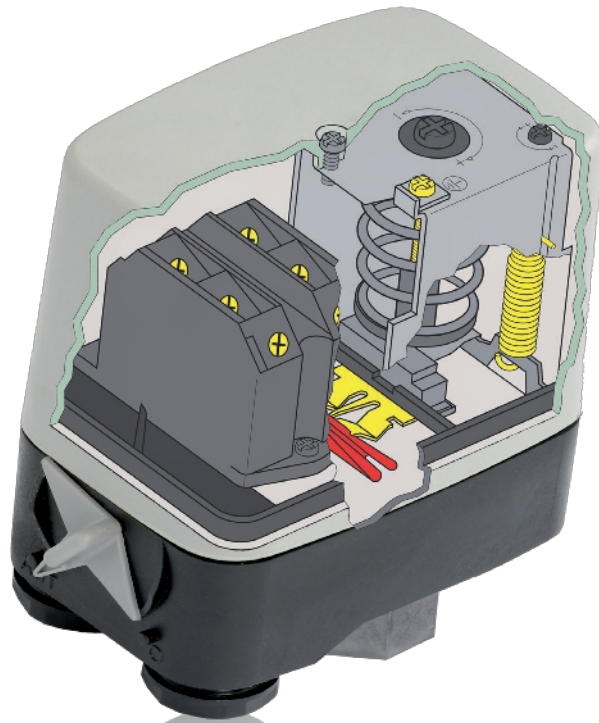
Top cover



IP 55 enclosure



The CS pressure switch for excellent pressure control



Designed for air compressors and water pump applications, the CS pressure switch has a built-in, pressure-operated three-pole contact system. Made for the direct start of pumps and as on/off functions in control circuits, the CS switch is robust and reliable.

Adjustable range and differential

The CS switch can be adjusted to suit a variety of working conditions and pressures, ranging from 2 to 20 bar.

Special compressor application accessory

To prevent air compressors starting under load, a pressure relief valve can be used with the CS switch to relieve pressure on the compressor piston.

Robust and tight

Enclosed in heavy-duty plastic, the CS switch is available in IP 43 or IP55 versions to ensure high performance in wet or dusty environments.

Safe and reliable

For added safety in the event of system failure or maintenance purposes, the CS is fitted with a manual switch to lock the contact system in the open position, independent of the pressure in the system.

CS pressure switches for air and water



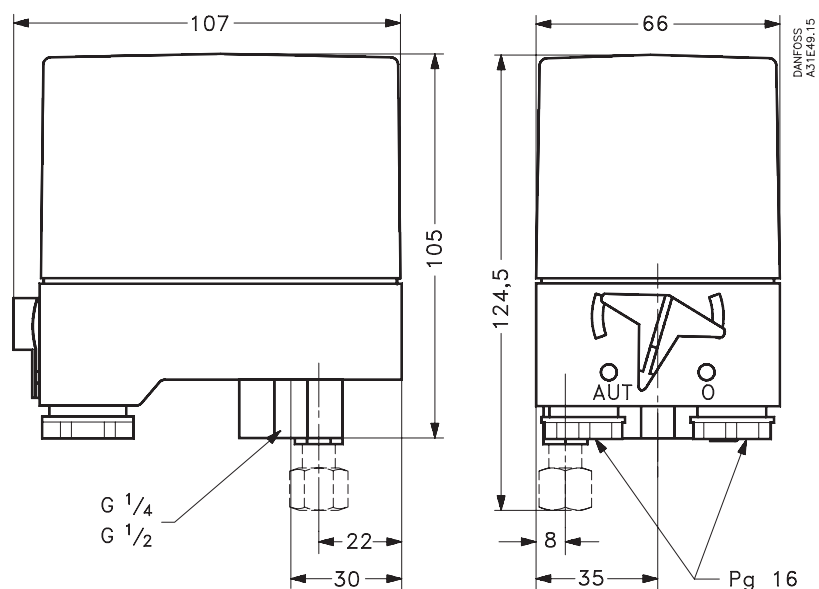
CS pressure switches have a three-pole switch and adjustable differential.

The pressure switches are fitted with a manual switch that will lock the contact system in the open position independently of the pressure in the system.

- For automatic start and stop of air compressors and water pumps
- Pressure ranges: 2 to 20 bar
- Contact system: 3-pole (standard) and 1-pole (accessory)
- Adjustable differential from 0.7 to 7 bar
- Manual switch to lock the contact system
- Relief valve (accessory)
- Enclosure IP43 or IP55
- Versions for drinking water

Dimensions and weight:

Weight: 0.5 kg



All dimensions in millimetres

Approvals: CE according to EN 60947-4-5

CS pressure switches

Contact function: TPST
Contact material: Silver cadmium oxide
Loads: AC-3 12A 220 to 415V
 9A 600V
Ambient temperature: -20 to 70°C
Fluid temperature: Water: 0 to 70°C
 Air: -20 to 70°C



Setting range bar P _e	Factory setting bar P _e	Min. differential bar	Max. differential bar	Max. working pressure bar P _e	Connection size		Enclo- sure	Code number
					G 1/4 A	G 1/2 A		
2 → 6	4	0.72 → 1	1 → 2	6	✓		IP43	031E020066
2 → 6	4	0.72 → 1	1 → 2	6	✓		IP55	031E020566
2 → 6	4	0.72 → 1	1 → 2	6		✓	IP43	031E021066
2 → 6	4	0.72 → 1	1 → 2	6		✓	IP55	031E021566
4 → 12	4	1 → 1.5	2 → 4	12	✓		IP43	031E022066
4 → 12	4	1 → 1.5	2 → 4	12	✓		IP55	031E022566
4 → 12	4	1 → 1.5	2 → 4	12		✓	IP43	031E023066
4 → 12	4	1 → 3	2 → 4	12		✓	IP55	031E023566
7 → 20	7	2 → 3.5	3.5 → 7	20	✓		IP55	031E024566
7 → 20	7	2 → 3.5	3.5 → 7	20		✓	IP43	031E025066
7 → 20	7	2 → 3.5	3.5 → 7	20		✓	IP55	031E025566



Contact function: SPST

Setting range bar P _e	Min. differential bar	Max. differential bar	Max. working pressure bar P _e	Connection size		Enclo- sure	Code number
				G 1/4 A	G 1/2 A		
2 → 6	0.72 → 1	1 → 2	6	✓		IP43	031E020266

Spareparts for CS pressure switch

TPST contact system



Pressure relief valve



Description	Code number
Three pole contact system TPST	031E029166
Pressure relief valve, incl. fixing screw for 6 mm pipe/hose	031E029866
Pressure relief valve, incl. fixing screw for 1/4 in. pipe/hose	031E029766
Two Pg 16 screwed cable entries with gaskets, cable diam. 6.5 - 15 mm	031E029366
Nipple with 7/16 - 20 UNF and M10 x 1 int.	031E029666



Screwed cable entries



Nipple

MBC 5100 block-type compact pressure switches



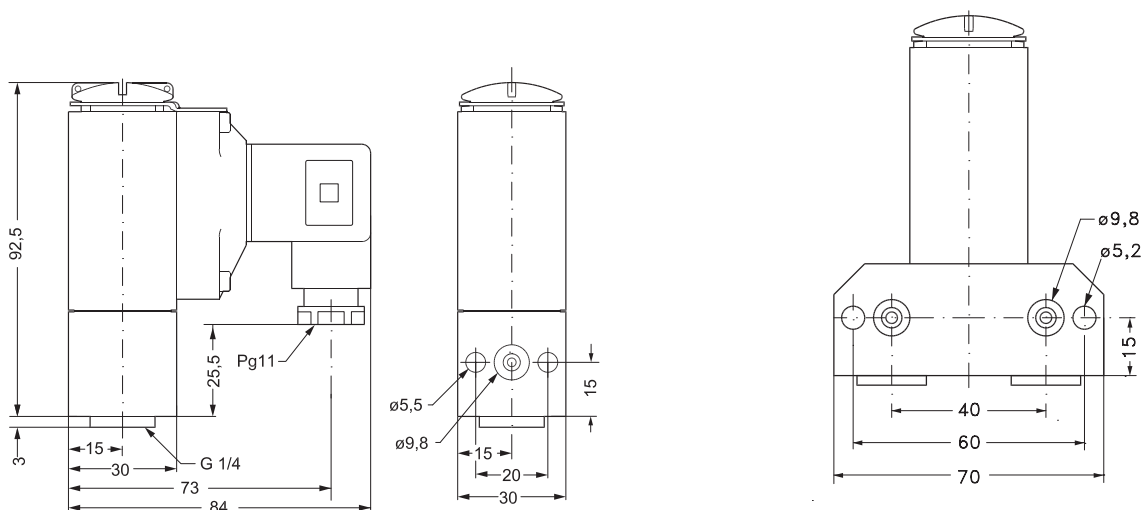
MBC pressure switches are used in industry and marine applications where space and reliability are the most important features. MBCs are compact pressure switches, designed according to our new block design to survive in the harsh conditions known from machine rooms onboard ships.

MBCs have high vibration resistance and feature all commonly marine approvals. The fixed, but low differential guarantees accurate monitoring of critical pressures. MBV test valves can be delivered as standard option for MBC pressure switches.

- All relevant marine approvals
- Pressure ranges: -0.2 to 400 bar
- Low differential (fixed) micro switch
- Resistant to shock and vibrations
- Enclosure IP65
- Diaphragm version for applications with pulsations/pressure peaks
- Compact design
- Low installations costs
- Fast and easy to operate
- Easy to mount on block test valve
- Available as differential pressure switch

Dimensions and weight:

Weight: 0.4 kg.



All dimensions in millimetres

Approvals: CE marked in accordance with EN60947-5. All relevant marine approvals

MBC 5100 block-type compact pressure switches

Contact function: SPDT
 Contact material: Silver
 Loads: AC-1 (ohmic) 10A, 250V
 AC-3 (motor) 3A, 250V
 AC-15 (inductive) 0.5A, 250V



Plug Pg 11. Other electrical connections available on request

Setting range bar P _e	Min. differential setting bar	Max differential setting bar	Max. working pressure bar P _e	Connection		Code number
				G 1/4 A	Flange	
Low pressure bellows. Ambient temperature: -40 to 85°C						
-0.2 → 1	0.15	0.45	15	✓	✓	061B000566
-0.2 → 4	0.15	0.45	15	✓	✓	061B000466
-0.2 → 4	0.15	0.45	15	✓		061B001066
-0.2 → 10	0.15	0.6	15	✓	✓	061B000266
Low pressure diaphragm. Ambient temperature: -10 to 85°C						
1 → 10	0.30	2.5	150	✓	✓	061B100466
1 → 10	0.30	2.5	150	✓		061B100866
5 → 20	0.4	2.5	150	✓	✓	061B100266
High pressure diaphragm. Ambient temperature: -10 to 85°C						
5 → 40	1.0	7	150	✓	✓	061B100566
10 → 100	1.7	14	150	✓	✓	061B100366
High pressure piston. Ambient temperature: -40 to 85°C						
16 → 160	12	30	600	✓		061B510066
25 → 250	12	40	600	✓		061B510166
40 → 400	15	50	600	✓		061B510266



MBC 5180 block-type differential pressure switch

Setting range bar P _e	Operating range LP side bar P _e	Max. working pressure bar P _e	Connection		Code number
			G 1/4 A	G 1/4 A w. flange	
0.3 → 5	0 → 30	45		✓	061B128066
0.3 → 5	0 → 30	45	✓		061B129066

Spareparts for MBC5100

Type	Description		
Pulse-snubber	Male, G1/4A, length 20 mm		061B400101
Pulse-snubber	Male, G1/4A, length 34 mm		061B400201
Pulse-snubber	For flange connection		061B722101



MBV 5000 pressure test valve

The MBV 5000 is a part of a block concept covering block pressure switches, block pressure transmitters, block test valves and accessories.

The block concept has been developed to save space, weight, and costs and meet the strict demands on marine equipment, including EU stipulations on such products.

MBV 5000 is designed in many different configurations for use in many different marine applications, for example: Monitoring, alarm indication, shut-down, diagnosing on equipment such as motors, gears, thrusters, pumps, filters, compressors, etc.

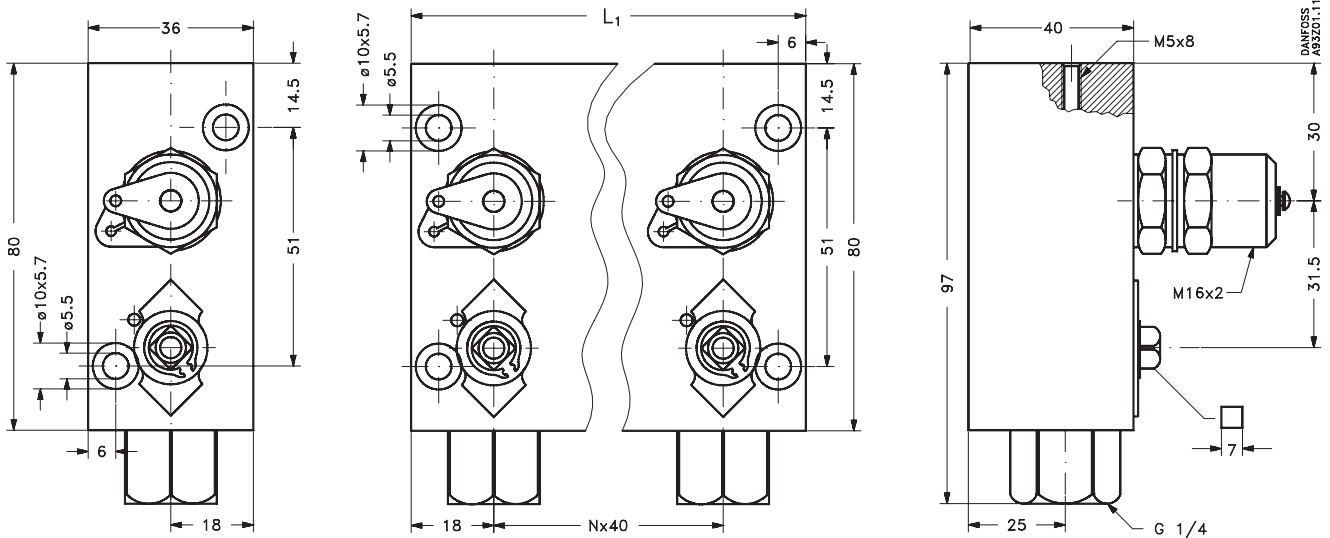
The block valve meets demands for fast installation, simple isolation, and easy test pressure connection.

- The MBV block valves designed in many configurations are for use with the MBC pressure switch or the MBS block pressure transmitter within the marine industry
- The valve meets demands for fast installation, simple isolation and easy test pressure connection



Dimensions and weight:

Weight: From 0.4 to 2.0 kg



All dimensions in millimetres

MBV 5000 pressure test valve

Max working pressure, liquid media: 180 bar P_e / gaseous media: 120 bar P_e

Ambient temperature: -20 to 120°C

Fluid temperature: -20 to 120°C

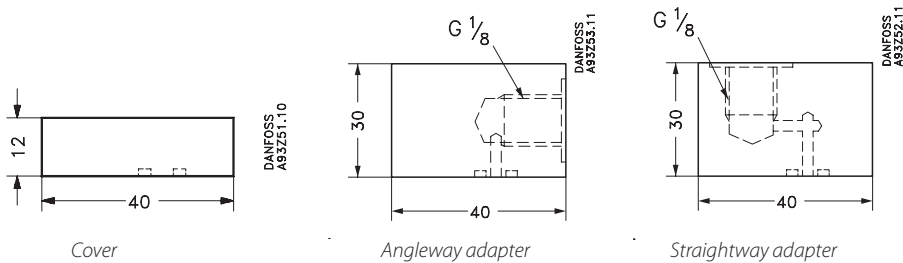


Type	Output no.	Length mm	Weight kg	Code number
MBV5000-1111	x1	36	0.4	061B7000
MBV5000-1211	x2	76	0.8	061B7001
MBV5000-1311	x3	116	1.2	061B7002
MBV5000-1411	x4	156	1.6	061B7003
MBV5000-1511	x5	196	2.0	061B7004
MBV5000-2211	x2	76	0.8	061B7005
MBV5000-2311	x3	116	1.2	061B7006
MBV5000-2411	x4	156	1.6	061B7007
MBV5000-2511	x5	196	2.0	061B7008
MBV5000-3211	x2	76	0.7	061B7009
MBV5000-3311	x3	116	1.0	061B7010
MBV5000-3411	x4	156	1.3	061B7011
MBV5000-3511	x5	196	1.6	061B7012

Spareparts for MBV 5000

Standard flange - G1/8 adapters

Description	Code number
Cover	061B720001
Angleway adapter	061B720101
Straightway adapter	061B720201



RT temperature switches for temperature regulation



Suitable for a wide range of demanding industrial applications, RT temperature switches are designed to maintain a specific temperature difference between two media.

Wide regulating range

The RT has a wide temperature regulating range from -60°C to 300°C . Precise scales make it easy to set the temperature range and differential.

Variety of sensors and functions

An IP 66 enclosure and a range of sensor types – such as capillary tube sensors, room sensors and duct sensors – enable neutral zone adjustment and manual reset functions.

Contact systems

RT temperature switches are available with standard contact systems for 3A, 400V AC15 loads and 4A, 400V AC3. Special contact versions are also available as spare parts.

Ultra-short bounce times

The perfect Single Pole Double Throw (SPDT) snap function minimises wear during each operation and extends the contact life.

Cable entry for 6-14 mm diameter cables

Two cable entries provide a number of possible electrical cable connections.

Longevity

The RT has a mechanical lifetime of one million cycles over the full temperature range, and an electrical lifetime of 100,000 cycles at maximum load.

RT temperature switches



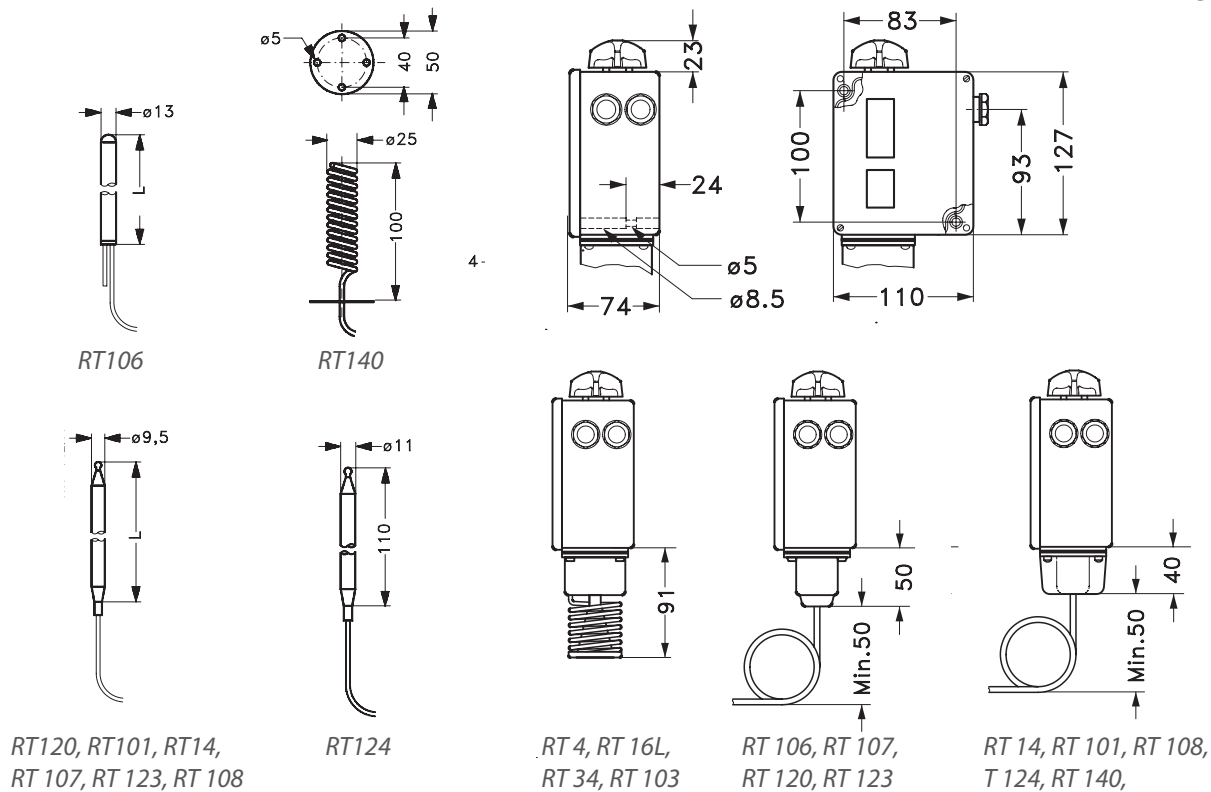
RT controls are used in general industrial and marine sectors. The RT temperature switch series consist of a variety of room temperature switches and remote sensor temperature switches including neutral zone temperature switches. RT temperature switches are generally recommended for applications where safety or economical consequences are critical factors.

RT controls have been in service for more than 70 years.

- Temperature range: - 60°C to 300°C
- Replaceable contact system
- Also available with gold plated contact systems
- Adjustable differential
- Enclosure IP66
- Available with external max. reset function (IP54)
- Available with dead zone
- Available with all relevant marine approvals

Dimensions and weight:

Weight: Appr. 1 kg



All dimensions in millimetres

Approvals: CE marked in accordance with EN60947-4/-5. Relevant marine approvals

RT temperature switches - remote sensor with capillary tube

Contact function: SPDT
Contact material: Silver cadmium oxide (other contact material - see accessories)
Loads: AC-1 ohmic 10A 400V
 AC-3 (motor) 4A 400V
 AC-15 (inductive) 3A 400V
Ambient temperature: -50 to 70°C



Type	Setting range °C	Adjustable differential range		Max sensor temperature °C	Capillary tube length m	Code number
		at lowest setting °C	at highest setting °C			

Reset: Automatic. Enclosure: IP 66

RT14	-5 → 30	2 → 8	2 → 10	150	2	017-509966
RT106	20 → 90	4 → 20	2 → 7	120	2	017-504866
RT101	25 → 90	2.4 → 10	3.5 → 20	300	2	017-500366
RT101	25 → 90	2.4 → 10	3.5 → 20	300	3	017-500666
RT101	25 → 90	2.4 → 10	3.5 → 20	300	5	017-502266
RT108	30 → 140	5 → 20	4 → 14	220	2	017-506066
RT107	70 → 150	6 → 25	1.8 → 8	215	2	017-513566
RT107	70 → 150	6 → 25	1.8 → 8	215	3	017-513966
RT107	70 → 150	6 → 25	1.8 → 8	215	5	017-514066
RT120	120 → 215	7 → 30	1.8 → 9	260	2	017-520866
RT123	150 → 250	6.5 → 30	1.8 → 9	300	2	017-522066
RT124	200 → 300	5 → 25	2.5 → 10	350	2	017-522766

Reset: Max. Enclosure: IP 54

RT101	25 → 90	2.4	4.1	300	2	017-500466
RT107	70 → 150	6	1.8	215	2	017-513666
RT107	70 → 150	6	1.8	215	5	017-514166
RT120	120 → 215	7	1.8	260	2	017-521466
RT123	150 → 250	6.5	1.8	300	2	017-522466
RT124	200 → 300	5	2.5	350	2	017-523166

RT temperature switches - room sensor

Enclosure: IP 66



Type	Setting range °C	Adjustable differential range		Max sensor temperature °C	Code number
		at lowest setting °C	at highest setting °C		
RT4	-5 → 30	1.5 → 7	1.2 → 4	75	017-503666
RT103	10 → 45	1.3 → 7	1 → 5	100	017-515566
RT34	-25 → 15	2 → 10	1 → 12	100	017-511866
RT16L ¹⁾	0 → 38	1.5 → 5	0.7 → 1.9	100	017L002466

¹⁾ Neutral zone setting: 0.7 - 1.5 bar

RT temperature switches - duct sensor

Enclosure: IP 66

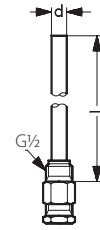


Type	Setting range °C	Adjustable differential setting range		Max sensor temperature °C	Capillary tube length m	Code number
		at lowest setting °C	at highest setting °C			
RT140	15 → 45	1.8 → 8	2.5 → 11	240	2	017-523666

Spareparts and accessories for RT temperature switches

Sensor pockets with stuffing box

Type / application	Sensor length mm	Pocket material		Pocket dimensions		Code number
		Brass	18/8 steel	L mm	d mm	
RT120, RT 101	80	✓		112	11	017-437066
RT120, RT101, RT14, RT107, RT123	80/97		✓	112	11	017-436966
RT14	150	✓		182	11	017-436766
RT108	410	✓		465	11	017-421666
RT106	76	✓		110	15	060L333066
RT106	76		✓	110	15	060L333166



Type	Version	Description	Code number
Contact system	Standard	Single-pole changeover switch (SPDT) with terminal board proof against leakage current. Fitted in all stand versions of type RT	017-403066
Contact system	Standard	Single-pole changeover switch (SPDT) with gold plated (oxide free) contact surfaces. Increases cut-in reliability on alarm and monitoring systems etc.	017-424066
Contact system	Max reset	Snap action single-pole changeover switch (SPDT) with silver cadmium oxide contact. Designed for RT units performing max reset function.	017-404266



Type	Description	Code number
Setting knob	Replacement. Pale grey Ral 7035	017-436366
Seal cap	Seal cap to replace setting knob so that setting can only be altered with tools (tamper proof seal cap). Black	017-436066
Screws	Seal screws for cover and seal cap	017-425166
Stuffing box kit	For all thermostats with remote sensor. G 1/2A (pipe thread ISO228/1), oil resistant rubber washer for max 110°C/90 bar	017-422066
Stuffing box kit	For all thermostats with remote sensor. G 3/4A (pipe thread ISO228/1), oil resistant rubber washer for max 110°C/90 bar	003N0155
Sensor clip	For all RT units with remote sensor. L = 76 mm	017-420366
Heat conductive compound	For RT thermostats with the sensor insert in a pocket. Tube with 3.5cm ³ compound to be filled in the sensor pocket to improve heat transfer between pocket and sensor. Application range for compound: -20 to 150°C, momentarily up to 220°C.	041E0114



KPS temperature switches

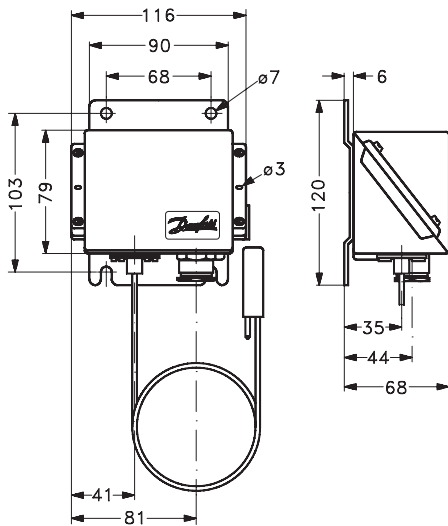


In the KPS thermostats series, special attention has been given to meeting important demands for a high level of enclosure, a robust, compact construction and resistance to shock and vibration. The KPS range covers most outdoor as well as indoor application requirements, and are suitable for use in monitoring, alarm and regulation systems in factories, diesel plant, compressors, powerstation and on board ships.

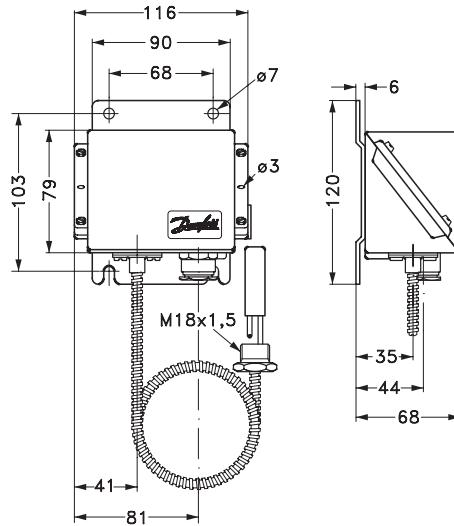
- Temperature setting ranges: -10 to +200 °C
- Gold plated contact systems
- Adjustable or fixed differential
- Robust and compact construction
- Resistance to shock and vibrations
- Enclosure IP67. Sturdy and sea water resistant.
- Available with all relevant marine approvals

Dimensions and weight:

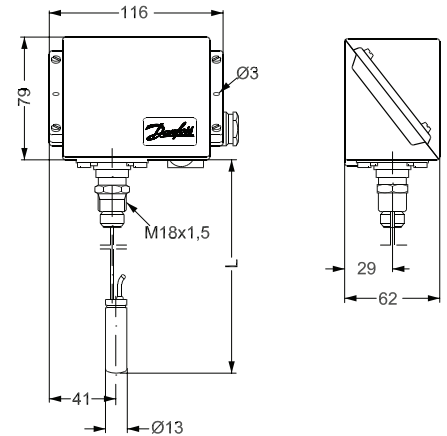
Weight: 1.0 to 1.4 kg



Weight:
Including 2 m capillary tube:
Appr. 1.2 kg



Weight:
Including 2 m armoured
capillary tube: Appr. 1.4 kg



Weight:
Including rigid sensor:
Appr. 1.0 kg

All dimensions in millimetres

Approvals: CE marked in accordance with EN60947-4/-5. UL E73170. All relevant marine approvals.

KPS temperature switches

Contact function: SPDT
Contact material: Gold plated silver
Load: AC-1 (ohmic): 10A, 440V
 AC-3 (motor): 6A, 440V
 AC-15 (inductive): 4A, 440V

Ambient temperature: -40 to 70°C



KPS, remote sensor with armoured capillary tube

Type	Setting range °C	Adjustable differential range °C	Max sensor temperature °C	Capillary tube length m	Sensor size (ØxL) mm	Code number
KPS76	-10 → 30	3 → 10	80	2	13 x 63	060L311266
KPS77	20 → 60	3 → 14	130	2	13 x 63	060L310166
KPS79	50 → 100	4 → 16	200	2	13 x 63	060L310466
KPS81	60 → 150	5 → 25	250	2	13 x 63	060L310666
KPS80	70 → 120	4.5 → 18	220	2	13 x 63	060L312866
KPS80	70 → 120	4.5 → 18	220	5	13 x 90	060L313066
KPS80	70 → 120	4.5 → 18	220	3	13 x 63	060L315666
KPS83	100 → 200	6.5 → 30	300	2	13 x 63	060L310866



KPS, rigid sensor

Type	Setting range °C	Adjustable differential range °C	Max sensor temperature °C	Sensor size (ØxL) mm	Code number
KPS77	20 → 60	3 → 14	130	13 x 63	060L310066
KPS77	20 → 60	3 → 14	130	13 x 63	060L311866
KPS79	50 → 100	4 → 16	200	13 x 63	060L310366
KPS79	50 → 100	4 → 16	200	13 x 63	060L312166
KPS80	70 → 120	4.5 → 18	220	13 x 63	060L312666



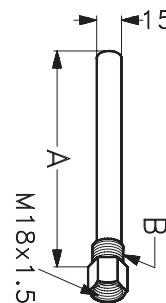
KPS, remote sensor with capillary tube

Type	Setting range °C	Adjustable differential range °C	Max sensor temperature °C	Capillary tube length m	Sensor size (ØxL) mm	Code number
KPS77	20 → 60	3 → 14	130	2	13 x 63	060L310266
KPS79	50 → 100	4 → 16	200	2	13 x 63	060L310566
KPS80	70 → 120	4.5 → 18	220	2	13 x 63	060L312966

Spareparts and accessories for KPS temperature switches

Sensor pockets without stuffing box

Pocket length - A mm	Pocket thread - B				Pocket material		Code number
	G½ A	G3/8 A	ISO 228/1		Brass	18/8 steel	
75	✓				✓		060L326266
75		✓			✓		060L326666
75				✓	✓		060L328166
110	✓				✓		060L327166
110			✓		✓		060L340366
160	✓				✓		060L326366
200	✓				✓		060L320666
250	✓				✓		060L325466
75	✓					✓	060L326766
110	✓					✓	060L326866
160	✓					✓	060L326966



Stuffing box kits

Description	Code number
For KPS thermostats without armoured capillary tube	060L327366
For KPS thermostats with armoured capillary tube	060L036666

Heat conductive compound

Description	Code number
For KPS thermostats with sensor fitted in a sensor pocket. Compound for filling sensor pocket to improve heat transfer between pocket and sensor. Application temperature range: -20 to 150°C, momentarily up to 220°C	041E0114

KP temperature switches

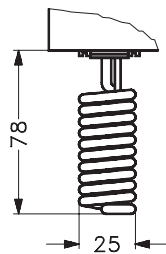


Danfoss KP thermostats are used for control, monitoring and alarm systems in industry. The KP thermostat series are temperature activated electric switches fitted with a single-pole double throw switch (SPDT), which can control single-phase ac motors of up to 2 kW directly.

- Temperature ranges: -30° C to 150° C
- High contact load - Ultra short bounce-time
- Also available with gold plated contact systems
- Enclosure IP44 when mounted with top cover and back plate
- Also available with enclosure IP55 for OEM customers
- Small dimensions - space saving - easy to install

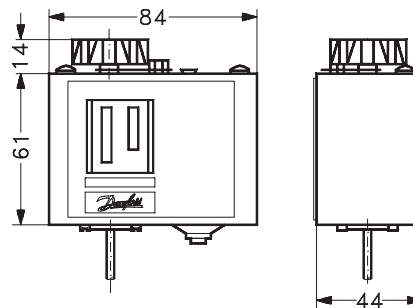
Dimensions and weight:

Weight: Appr. 0.4 kg

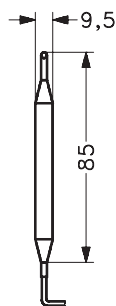


KP 62

KP 75: Sensor tinned copper Cu/Sn 5



KP 61, 62, 68, 75, KP 78, KP 79, KP 81



KP 78, 79, 81: Sensor tinned copper Cu/Sn 5

All dimensions in millimetres

Approvals: CE marked in accordance with EN60947-4/-5. Electrical Safety Certificate - FM. UL E31024. Relevant marine approvals

KP temperature switches

Contact system: SPDT
Contact material: Silver cadmium oxide
Load: AC-1 (ohmic): 16A 400V
 AC-3 (motor): 16A 400V
 AC-15 (inductive): 10A 400V

Enclosure: IP 30
Ambient temperature: -40 to 65°C
Reset: Automatic

Remote sensor with capillary tube



Type	Setting range °C	Adjustable differential range °C	Max sensor temperature °C	Sensor size (ØxL) mm	Capillary tube length m	Code number
KP71	-5 → 20	2.2 → 10	80	9.5 x 115	2	060L111366
KP77	20 → 60	3.5 → 10	130	9.5 x 85	2	060L112166
KP78	30 → 90	5 → 15	150	9.5 x 85	2	060L118466
KP79	50 → 100	5 → 15	150	9.5 x 85	2	060L112666
KP81	80 → 150	7 → 20	200	9.5 x 85	2	060L112566
KP81 ¹⁾	80 → 150	8	200	9.5 x 85	2	060L115566

¹⁾ Maximum reset function

Straight capillary tube sensor



Type	Setting range °C	Adjustable differential range °C	Max sensor temperature °C	Sensor Ø mm	Capillary tube sensor length m	Code number
KP61	-30 → 15	1.5 → 23	120	2.5	5	060L110166
KP61	-30 → 15	1.5 → 23	120	2.5	2	060L110066

Room sensor



Type	Setting range °C	Adjustable differential range °C	Max sensor temperature °C	Sensor size (ØxL) mm	Code number
KP62	-30 → 15	2 → 20	80	25 x 78	060L111066
KP68	-5 → 35	1.8 → 25	120	40 x 30	060L111166
KP75 ¹⁾	0 → 40	3 → 10	80	25 x 78	060L117166
KP76	5 → 45	2 → 20	120	25 x 78	060L120066

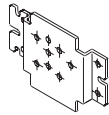
¹⁾ Contact material: Gold plated silver

Spareparts and accessories for KP temperature switch

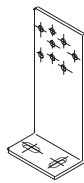


Type	Description	Code numbers
Wall bracket	Mounting screw and washers included	060-105566
Angle bracket	Mounting screw and washers included	060-105666
Screwed cable entry	Pg 13.5 with special nut. For 6-14 mm diameter cables	060-105966
Top cover	For single control. If a wall or angle bracket is mounted on the backplate of the housing, the KP will have an IP 44 grade of enclosure by means of this cover	060-109766
IP 55 enclosure	For single control. Specially designed IP 55 enclosure , not transparent	060-033066
Sensor pocket	Application: KP 77, 78, 79, 81. Brass. Pocket dimension: L 110 x Ø 15 mm. With stuffing box	060L333066
Sensor pocket	Application: KP 77, 78, 79, 81. Stainless steel. Pocket dimension: L 110 x Ø 15 mm. With stuffing box	060L333166
Heat conductive compound	For sensor pockets. Tube with 3.5cm ³ compound to be filled in the sensor pocket to improve heat transfer between pocket and sensor. Application range for compound: -20 to 150°C, momentarily up to 220°C.	041E0114

Brackets



For wall mounting



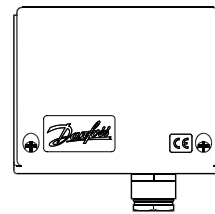
For 35 mm rail mounting



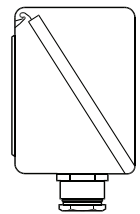
Screwed cable entry



Top cover



IP 55 enclosure



The MBC 8100 compact temperature switches

MBC 8100 temperature switches are suitable for use in monitoring and alarm systems in factories, diesel plants, compressors and power stations, as well as in marine applications.

Alarm and monitoring

As part of alarm and control circuits, the switches give signals within narrow non-drifting limits, typically in lubrication and cooling oil applications, including diesel engines and gear boxes.

Compact space-saving solution

The block design allows packed mounting, providing a high degree of integrity for your machinery.

Excellent vibration and shock resistance

Ideal for heavy-duty applications, the MBC 8100's high vibration resistance increases the reliability of the entire system.

Adjustable range with fixed differential

The MBC 8100 comes pre-set from the factory, but it also has an adjustable range and low fixed differential for accurate monitoring of critical temperatures.

Resistance to media

The sensor pocket is available in brass or stainless steel.



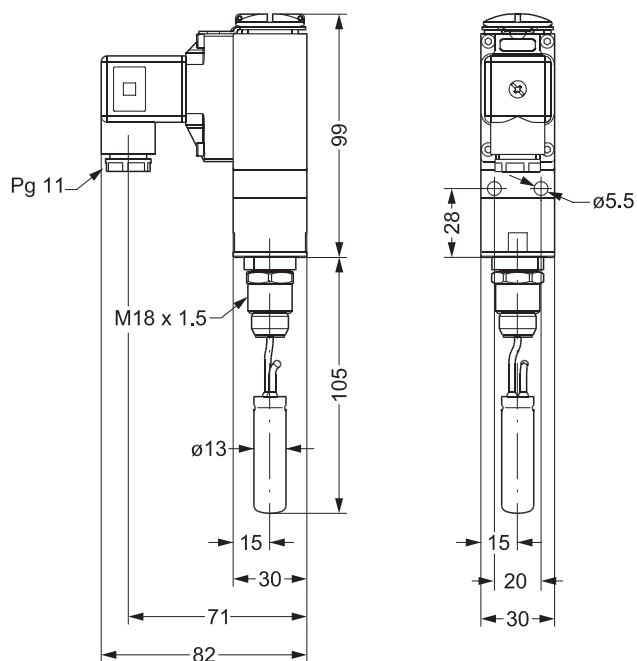
MBC 8100 block-type compact temperature switches for marine applications



MBC 8100 thermostats are used in marine applications where space and reliability are the most important features. MBCs are compact thermostats, designed according to our new block design to survive in the harsh conditions known from machine rooms onboard ships. MBCs have high vibration resistance and feature all commonly marine approvals. The fixed, but low differential guarantees accurate monitoring of critical temperatures. Also available without marine approvals (MBC 8000; please contact Danfoss for information)

- Block design
- Fully electromechanical
- -10 to +200 °C temperature range
- Available with all relevant marine approvals
- Designed to meet the strict demands in the marine equipment

Dimensions and weight:



All dimensions in millimetres

Approvals: CE marked in accordance with EN60947-5. All relevant marine approvals.

MBC 8100 block-type compact temperature switches

Contact function: SPDT
 Loads: AC-1 (ohmic) 10A, 250V
 AC-3 (motor) 3A, 250V
 AC-15 (inductive) 0.5A, 250V
 Ambient temperature: -40 - 85°C
 Enclosure: IP 65
 Electrical connection: Plug Pg 11. Other connections available on request.



MBC 8100 with rigid sensor

Temp. setting range °C	Fixed diff. °C	Max. sensor temp. °C	Sensor size (ØxL) mm	Sensor pocket, length mm	Code number
20 → 60	3	130	13 x 50	75	061B800266
50 → 100	4	200	13 x 50	75	061B800366
60 → 150	6	250	13 x 50	75	061B800566
70 → 120	5	220	13 x 50	75	061B800466



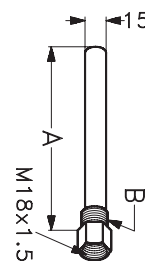
MBC 8100 with armoured capillary tube, length: 2 m

Temp. setting range °C	Fixed diff. °C	Max. sensor temp. °C	Sensor size (ØxL) mm	Code number
-10 → 30	3	80	13 x 50	061B810166
20 → 60	3	130	13 x 50	061B810266
50 → 100	4	200	13 x 50	061B810366
70 → 120	5	220	13 x 50	061B810466
60 → 150	6	250	13 x 50	061B810566

Spareparts and accessories for MBC 8100 temperature switches

Sensor pockets without stuffing box

Pocket length - A mm	Pocket thread - B				Pocket material		Code number
	G½ A	G3/8 A	ISO 228/1 G 3/4 A	G½ A	Brass	18/8 steel	
75	✓				✓		060L326266
75		✓			✓		060L326666
75				✓	✓		060L328166
110	✓				✓		060L327166
110			✓		✓		060L340366
160	✓				✓		060L326366
200	✓				✓		060L320666
250	✓				✓		060L325466
75	✓					✓	060L326766
110	✓					✓	060L326866
160	✓					✓	060L326966



Stuffing box kits

Description	Code number
For MBC thermostats without armoured capillary tube	060L327366
For MBC thermostats with armoured capillary tube	060L036666



Type	Description	Code number
Heat conductive compound	For thermostats with sensor fitted in a sensor pocket. Compound for filling sensor pocket to improve heat transfer between pocket and sensor. Application temperature range: -20 to 150°C, momentarily up to 220°C	041E0114

Code number index

Code number	page	Code number	page	Code number	page	Code number	page
003N0042	61	017-420366	154	017-523966	128	018F6703	48
003N0043	61	017-420566	130	017-525566	128	018F6703	51
003N0045	61	017-420566	135	017-526266	129	018F6707	28
003N0046	61	017-420566	137	017-526766	129	018F6707	32
003N0047	61	017-421666	154	017-526866	129	018F6707	38
003N0050	63	017-421966	130	017-526966	129	018F6707	43
003N0062	63	017-422066	63	017-528066	129	018F6707	48
003N0075	63	017-422066	154	017-528266	129	018F6707	51
003N0078	63	017-422966	137	017-529166	128	018F6709	28
003N0091	63	017-424066	130	017-529566	128	018F6709	32
003N0107	61	017-424066	154	017B0002	133	018F6709	38
003N0108	61	017-425166	130	017B0006	133	018F6709	43
003N0109	61	017-425166	154	017B0010	133	018F6709	48
003N0155	63	017-436066	130	017B0014	133	018F6709	51
003N0155	154	017-436066	154	017B0018	133	018F6711	28
003N0192	63	017-436366	130	017B0022	133	018F6711	32
003N0196	63	017-436366	154	017B0026	133	018F6711	38
003N0278	63	017-436766	63	017B0030	133	018F6711	43
003N0388	63	017-436766	154	017B0034	133	018F6711	48
003N1132	61	017-436866	130	017B0038	133	018F6711	51
003N1144	61	017-436866	137	017B0042	133	018F6756	28
003N1162	61	017-436966	154	017B0046	133	018F6756	32
003N1182	61	017-437066	154	017B0050	133	018F6756	38
003N2132	61	017-500366	153	017B0054	133	018F6756	43
003N2150	61	017-500466	153	017B0058	133	018F6756	48
003N2162	61	017-500666	153	017B0062	133	018F6756	51
003N2182	61	017-502266	153	017B0066	133	018F6757	28
003N3132	61	017-503666	153	017B0070	133	018F6757	32
003N3150	61	017-504866	153	017B0074	133	018F6757	38
003N3162	61	017-506066	153	017B1018	133	018F6757	43
003N3182	61	017-509466	128	017B1019	133	018F6757	48
003N3300	65	017-509966	153	017D002166	129	018F6757	51
003N3301	65	017-511866	153	017D002366	129	018F7351	28
003N4132	61	017-513566	153	017D002466	129	018F7351	32
003N4150	61	017-513666	153	017D002566	129	018F7351	38
003N4162	61	017-513966	153	017D002766	129	018F7351	43
003N4182	61	017-514066	153	017D004566	129	018F7351	48
016D0075	44	017-514166	153	017D004866	129	018F7351	51
016D0076	44	017-515566	153	017L002466	153	018F7352	28
016D0077	44	017-518166	129	017L003266	128	018F7352	32
016D0078	44	017-518266	129	018F0091	28	018F7352	38
016D0079	44	017-518766	129	018F0091	33	018F7352	43
016D0080	44	017-518866	129	018F0091	40	018F7352	48
016D0084	44	017-518966	129	018F0091	43	018F7352	51
016D0085	44	017-519166	128	018F0091	49	018F7353	28
016D0086	44	017-519266	128	018F6701	28	018F7353	32
016D0092	44	017-519666	128	018F6701	32	018F7353	38
016D0093	44	017-519966	128	018F6701	38	018F7353	43
016D0095	44	017-520066	128	018F6701	43	018F7353	48
016D0096	44	017-520366	128	018F6701	48	018F7353	51
016D3330	43	017-520466	128	018F6701	51	018F7358	28
016D3331	43	017-520866	153	018F6702	28	018F7358	32
016D6065	43	017-521466	153	018F6702	32	018F7358	38
016D6080	43	017-521566	128	018F6702	38	018F7358	43
016D6100	43	017-522066	153	018F6702	43	018F7358	48
017-401366	130	017-522466	153	018F6702	48	018F7358	51
017-403066	130	017-522766	153	018F6702	51	018F7360	28
017-403066	154	017-523166	153	018F6703	28	018F7360	32
017-404166	130	017-523666	153	018F6703	32	018F7360	38
017-404266	130	017-523766	128	018F6703	38	018F7360	43
017-404266	154	017-523866	128	018F6703	43	018F7360	48

Code number	page	Code number	page	Code number	page	Code number	page
018F7360.....	51	032H8033.....	17	032U1246.....	31	032U5322.....	49
018F7361.....	28	032H8039.....	17	032U1247.....	31	032U5350.....	47
018F7361.....	32	032H8041.....	17	032U1249.....	31	032U5352.....	47
018F7361.....	38	032H8043.....	17	032U1251.....	31	032U5354.....	47
018F7361.....	43	032H8087.....	15	032U1252.....	31	032U5356.....	47
018F7361.....	48	032H8089.....	15	032U1255.....	31	032U5701.....	26
018F7361.....	51	032H8095.....	15	032U1256.....	31	032U5702.....	26
018F7396.....	28	032H8097.....	15	032U1260.....	31	032U5704.....	26
018F7396.....	32	032H8099.....	15	032U1261.....	31	032U5705.....	26
018F7396.....	38	032H8125.....	15	032U1263.....	31	032U5706.....	26
018F7396.....	43	032K140902.....	54	032U1266.....	31	032U5707.....	26
018F7396.....	48	032K143682.....	54	032U3171.....	54	032U5708.....	26
018F7396.....	51	032K143684.....	54	032U3172.....	54	032U5709.....	26
018F7397.....	28	032K143685.....	54	032U3173.....	54	032U5710.....	26
018F7397.....	32	032U0082.....	40	032U3601.....	26	032U5815.....	36
018F7397.....	38	032U0084.....	40	032U3605.....	26	032U5820.....	36
018F7397.....	43	032U0085.....	40	032U3606.....	26	032U5832.....	36
018F7397.....	48	032U0086.....	40	032U3607.....	26	032U5840.....	37
018F7397.....	51	032U0087.....	40	032U3608.....	26	032U5850.....	37
018Z0290.....	57	032U0150.....	39	032U3615.....	26	032U6013.....	39
018Z0291.....	57	032U0165.....	32	032U3616.....	26	032U6014.....	39
018Z6987.....	57	032U0166.....	32	032U3617.....	26	032U6015.....	39
027N3065.....	44	032U0167.....	32	032U3618.....	26	032U6016.....	39
027N3080.....	44	032U0295.....	39	032U3619.....	27	032U6017.....	39
027N3100.....	44	032U0296.....	39	032U3620.....	27	032U6018.....	39
031E020066.....	146	032U0299.....	39	032U3621.....	27	032U6156.....	52
031E020266.....	146	032U0681.....	40	032U3622.....	27	032U6157.....	52
031E020566.....	146	032U0682.....	40	032U3623.....	27	032U6158.....	52
031E021066.....	146	032U0683.....	40	032U3624.....	27	032U6159.....	52
031E021566.....	146	032U1062.....	32	032U3629.....	26	032U6160.....	52
031E022066.....	146	032U1063.....	32	032U3630.....	27	032U6161.....	52
031E022566.....	146	032U1065.....	32	032U3631.....	27	032U7115.....	36
031E023066.....	146	032U1066.....	32	032U3632.....	27	032U7116.....	36
031E023566.....	146	032U1067.....	32	032U3633.....	27	032U7117.....	37
031E024566.....	146	032U1068.....	32	032U3634.....	27	032U7120.....	36
031E025066.....	146	032U1069.....	32	032U3635.....	27	032U7121.....	36
031E025566.....	146	032U1070.....	32	032U3636.....	27	032U7122.....	37
031E029166.....	146	032U1071.....	39	032U3637.....	27	032U7125.....	36
031E029366.....	146	032U1072.....	39	032U3638.....	27	032U7126.....	36
031E029666.....	146	032U1073.....	39	032U3639.....	27	032U7127.....	37
031E029766.....	146	032U1074.....	39	032U3640.....	27	032U7132.....	36
031E029866.....	146	032U1075.....	39	032U3641.....	27	032U7133.....	37
032H8000.....	16	032U1076.....	39	032U3642.....	26	032U7134.....	37
032H8001.....	16	032U1077.....	39	032U3643.....	26	032U7140.....	37
032H8002.....	16	032U1078.....	39	032U4901.....	23	032U7141.....	37
032H8003.....	16	032U1079.....	39	032U4904.....	23	032U7142.....	37
032H8004.....	16	032U1080.....	39	032U5250.....	47	032U7150.....	37
032H8005.....	17	032U1081.....	39	032U5251.....	47	032U7151.....	37
032H8006.....	17	032U1082.....	39	032U5252.....	47	032U7152.....	37
032H8007.....	17	032U1200.....	26	032U5253.....	47	032U7170.....	36
032H8008.....	17	032U1205.....	26	032U5254.....	47	032U7171.....	36
032H8009.....	17	032U1220.....	26	032U5255.....	47	032U7172.....	36
032H8014.....	17	032U1225.....	26	032U5256.....	47	032U7173.....	37
032H8015.....	17	032U1230.....	26	032U5257.....	47	032U7174.....	37
032H8016.....	17	032U1231.....	26	032U5271.....	49	032U7175.....	37
032H8017.....	17	032U1236.....	31	032U5273.....	49	032U7180.....	37
032H8018.....	17	032U1237.....	31	032U5315.....	49	032U7181.....	37
032H8019.....	17	032U1238.....	31	032U5317.....	49	032U7182.....	37
032H8027.....	16	032U1239.....	31	032U5319.....	49	032U7183.....	37
032H8029.....	17	032U1241.....	31	032U5320.....	49	032U7184.....	37
032H8031.....	17	032U1242.....	31	032U5321.....	49	032U7185.....	37

Code number	page	Code number	page	Code number	page	Code number	page
032U8039	57	032U300684	54	042N0263	20	042N4406	68
032U8040	57	032U300699	54	042N0263	23	042N4407	68
032U8041	57	032U300784	54	042N0263	28	042N4408	68
032U8042	57	032U300799	54	042N0263	28	042N4409	68
032U8052	57	032U451402	36	042N0263	32	042N4411	68
032U8053	57	032U451416	36	042N0263	32	042N4430	68
032U8054	57	032U451431	36	042N0263	38	042N4431	68
032U8055	57	032U453002	36	042N0263	38	042N4432	68
032U8056	57	032U453016	36	042N0263	43	042N4433	68
032U8057	57	032U453031	36	042N0263	48	042N4434	68
032U8360	51	032U453402	36	042N0263	51	042N4435	68
032U8361	51	032U453416	36	042N0265	15	042N4436	68
032U8362	51	032U453431	36	042N0265	17	042N4450	68
032U8363	51	032U456802	36	042N0265	20	042N4451	68
032U8364	51	032U456816	36	042N0265	23	042N4452	68
032U8365	51	032U456831	36	042N0265	28	042N4453	68
032U8500	36	032U458502	36	042N0265	28	042N4454	68
032U8501	36	032U458516	36	042N0265	32	042N4455	68
032U8502	36	032U458531	36	042N0265	32	042N4456	68
032U8503	36	032U460402	36	042N0265	38	042N4457	68
032U8504	37	032U460416	36	042N0265	38	042N4459	68
032U8505	37	032U460431	36	042N0265	43	042N4480	68
032U8506	36	032U528602	31	042N0265	48	042N4481	68
032U8507	36	032U528616	31	042N0265	51	042N4482	68
032U8508	36	032U528631	31	042N0267	17	042N4483	68
032U8509	37	032U528702	31	042N0267	20	042N4484	68
032U8510	37	032U528716	31	042N0800	17	042N4485	68
032U8511	37	032U528731	31	042N0800	20	042N4486	68
032U145802	26	032U537431	47	042N0801	17	042N4820	69
032U145816	26	032U537631	47	042N0801	20	042N4821	69
032U145831	26	041E0114	154	042N0802	17	042N4822	69
032U147002	26	041E0114	157	042N0802	20	042N4823	69
032U147016	26	041E0114	160	042N0803	17	042N7501	23
032U147031	26	041E0114	163	042N0803	20	042N7501	28
032U148002	26	042N0139	17	042N0804	17	042N7501	32
032U148016	26	042N0139	20	042N0804	20	042N7501	38
032U148031	26	042N0156	15	042N0806	17	042N7502	23
032U151802	31	042N0156	17	042N0806	20	042N7502	28
032U151816	31	042N0156	20	042N0840	15	042N7502	32
032U151831	31	042N0156	23	042N0840	17	042N7502	38
032U153802	31	042N0156	28	042N0840	20	042N7504	23
032U153816	31	042N0156	28	042N0841	15	042N7504	28
032U153831	31	042N0156	32	042N0841	17	042N7504	32
032U157102	47	042N0156	32	042N0841	20	042N7504	38
032U157116	47	042N0156	38	042N0842	15	042N7508	23
032U157131	47	042N0156	38	042N0842	17	042N7508	28
032U158002	47	042N0156	43	042N0842	20	042N7508	32
032U158016	47	042N0156	48	042N0843	15	042N7508	38
032U158031	47	042N0156	51	042N0843	17	042N7510	23
032U161402	47	042N0185	15	042N0843	20	042N7510	28
032U161416	47	042N0185	17	042N0845	15	042N7510	32
032U161431	47	042N0185	20	042N0845	17	042N7510	38
032U162402	47	042N0185	23	042N0845	20	042N7512	23
032U162416	47	042N0185	28	042N0848	15	042N7512	28
032U162431	47	042N0185	33	042N0848	17	042N7512	32
032U300399	54	042N0185	40	042N0848	20	042N7512	38
032U300484	54	042N0185	43	042N4400	68	042N7550	23
032U300499	54	042N0185	49	042N4401	68	042N7550	28
032U300584	54	042N0185	52	042N4402	68	042N7550	32
032U300599	54	042N0263	15	042N4403	68	042N7550	38
032U300682	54	042N0263	17	042N4404	68	042N7551	23

Code number	page	Code number	page	Code number	page	Code number	page
042N7551	28	060-105966.....	140	060-538766.....	142	060G1125	77
042N7551	32	060-105966.....	143	060G0005.....	85	060G1133	77
042N7551	38	060-105966.....	160	060G0005.....	88	060G1151	79
042U1000	20	060-109766.....	140	060G0005.....	95	060G1153	79
042U1001	20	060-109766.....	143	060G0005.....	98	060G1154	79
042U1003	20	060-109766.....	160	060G0007.....	77	060G1367	85
042U1004	20	060-110891.....	142	060G0007.....	79	060G1368	85
042U1006	20	060-113391.....	142	060G0007.....	81	060G1369	85
042U1007	20	060-113766.....	142	060G0007.....	83	060G1370	85
042U1009	28	060-113866.....	140	060G0007.....	85	060G1371	85
042U1009	39	060-114466.....	142	060G0007.....	88	060G1372	85
042U1010	28	060-118966.....	140	060G0007.....	95	060G1411	79
042U1010	39	060-121766.....	140	060G0007.....	98	060G1429	77
042U1037	20	060-121966.....	140	060G0008.....	77	060G1430	77
042U1038	20	060-122166.....	142	060G0008.....	79	060G1463	85
042U1039	20	060-215966.....	142	060G0008.....	81	060G1464	85
042U1040	20	060-216066.....	142	060G0008.....	83	060G1465	85
042U1041	20	060-216166.....	142	060G0008.....	85	060G1466	85
042U1042	20	060-216266.....	142	060G0008.....	88	060G1467	85
042U4001	19	060-216366.....	142	060G0008.....	90	060G1468	85
042U4003	19	060-216466.....	142	060G0008.....	95	060G1469	85
042U4011	19	060-216566.....	142	060G0008.....	98	060G1470	85
042U4012	19	060-216666.....	142	060G0252.....	81	060G1471	85
042U4013	19	060-310066.....	135	060G0252.....	85	060G1472	85
042U4014	19	060-310166.....	135	060G0252.....	88	060G1473	85
042U4022	19	060-310266.....	135	060G1021.....	81	060G1474	88
042U4023	19	060-310366.....	135	060G1021.....	83	060G1475	88
042U4024	19	060-310466.....	135	060G1021.....	85	060G1476	88
042U4031	19	060-310566.....	135	060G1021.....	88	060G1477	88
042U4032	19	060-310666.....	135	060G1022.....	81	060G1778	83
042U4041	19	060-310766.....	135	060G1022.....	83	060G1779	83
042U4042	19	060-310866.....	135	060G1022.....	85	060G1790	83
042U4053	19	060-310966.....	135	060G1022.....	88	060G1791	83
042U4063	19	060-311066.....	135	060G1023.....	81	060G1861	83
042U4074	19	060-312066.....	135	060G1023.....	83	060G1862	83
042U4082	19	060-312166.....	135	060G1023.....	85	060G1863	83
042U4084	19	060-312266.....	135	060G1023.....	88	060G1864	83
042U4085	19	060-313066.....	137	060G1024.....	81	060G1865	83
042U4086	19	060-315066.....	137	060G1024.....	83	060G1866	83
042U4087	19	060-315166.....	137	060G1024.....	85	060G1867	83
042U4088	19	060-315266.....	137	060G1024.....	88	060G1868	83
042U4089	19	060-315366.....	137	060G1034.....	77	060G1869	83
042U4092	19	060-316066.....	137	060G1034.....	79	060G1874	81
060-007166.....	135	060-316166.....	137	060G1034.....	81	060G1875	81
060-016966.....	103	060-316266.....	137	060G1034.....	83	060G1876	81
060-019166.....	130	060-316466.....	140	060G1034.....	85	060G1877	81
060-033066.....	140	060-316966.....	140	060G1034.....	88	060G2418	101
060-033066.....	143	060-319466.....	140	060G1034.....	90	060G2419	101
060-033066.....	160	060-324166.....	130	060G1034.....	95	060G2420	101
060-104766.....	103	060-333266.....	103	060G1034.....	98	060G2421	101
060-104766.....	130	060-333266.....	135	060G1105.....	77	060G2422	101
060-104766.....	135	060-333266.....	137	060G1106.....	77	060G2423	101
060-104766.....	137	060-333366.....	103	060G1107.....	77	060G2424	101
060-105566.....	140	060-333366.....	130	060G1109.....	77	060G2425	101
060-105566.....	143	060-333366.....	135	060G1110.....	77	060G2426	101
060-105566.....	160	060-333366.....	137	060G1111.....	77	060G2427	101
060-105666.....	140	060-333666.....	135	060G1112.....	77	060G2428	101
060-105666.....	143	060-333666.....	137	060G1113.....	77	060G2501	101
060-105666.....	160	060-504766.....	142	060G1122.....	77	060G2502	101
060-105766.....	140	060-508166.....	140	060G1123.....	77	060G2503	101
060-105766.....	143	060-538666.....	142	060G1124.....	77	060G2505	101

Code number	page	Code number	page	Code number	page	Code number	page
060G2506	101	060L326866	163	061B7004	96	064G6511	90
060G2510	101	060L326966	157	061B7004	99	064G6523	90
060G2850	77	060L326966	163	061B7004	150	064G6532	90
060G2850	79	060L327166	157	061B7005	96	064G6533	90
060G2850	81	060L327166	163	061B7005	99	064G6542	90
060G2850	83	060L327366	157	061B7005	150	064G6543	90
060G2850	86	060L327366	163	061B7006	96	084G2100	103
060G2850	88	060L328166	157	061B7006	99	084G2101	103
060G2850	111	060L328166	163	061B7006	150	084G2102	103
060G3388	85	060L333066	154	061B7007	96	084G2103	103
060G3557	79	060L333066	160	061B7007	99	084G2104	103
060G3582	79	060L333166	154	061B7007	150	084G2105	103
060G3583	79	060L333166	160	061B7008	96	084G2106	103
060G3584	79	060L340366	157	061B7008	99	084G2107	103
060G3585	79	060L340366	163	061B7008	150	084G2108	103
060G3586	79	060N1032	95	061B7009	96	084G2109	103
060G5600	85	060N1033	95	061B7009	99	084G2110	103
060G5601	85	060N1034	95	061B7009	150	084G2111	103
060L036666	157	060N1035	95	061B7010	96	084G2112	103
060L036666	163	060N1036	95	061B7010	99	084G2113	103
060L110066	159	060N1037	95	061B7010	150	084G2114	103
060L110166	159	060N1038	95	061B7011	96	084G2115	103
060L111066	159	060N1039	95	061B7011	99	084G2116	103
060L111166	159	060N1040	95	061B7011	150	084G2117	103
060L111366	159	060N1041	95	061B7012	96	084G2118	103
060L112166	159	060N1063	98	061B7012	99	084G2120	103
060L112566	159	060N1064	98	061B7012	150	084G2206	103
060L112666	159	060N1065	98	061B100266	148	084G2207	103
060L115566	159	060N1066	98	061B100366	148	084G2209	103
060L117166	159	060N1081	98	061B100466	148	084G2211	103
060L118466	159	060N1083	98	061B100566	148	084G2213	103
060L120066	159	060N1084	98	061B100866	148	084Z2010	109
060L310066	156	060N1085	98	061B128066	148	084Z2012	109
060L310166	156	060N1086	98	061B129066	148	084Z2014	109
060L310266	156	060N1087	98	061B400101	148	084Z2018	109
060L310366	156	061B000266	148	061B400201	148	084Z2019	109
060L310466	156	061B000466	148	061B510066	148	084Z2021	109
060L310566	156	061B000566	148	061B510166	148	084Z3257	121
060L310666	156	061B001066	148	061B510266	148	084Z3260	121
060L310866	156	061B6001	86	061B720001	96	084Z3261	121
060L311266	156	061B6001	88	061B720001	99	084Z3262	121
060L311866	156	061B6002	86	061B720001	150	084Z4030	111
060L312166	156	061B6002	88	061B720101	96	084Z4031	111
060L312666	156	061B6003	86	061B720101	99	084Z4032	111
060L312866	156	061B6003	88	061B720101	150	084Z4033	111
060L312966	156	061B6004	86	061B720201	96	084Z4034	111
060L313066	156	061B6004	88	061B720201	99	084Z4035	111
060L315666	156	061B6100	86	061B720201	150	084Z4036	111
060L320666	157	061B6100	88	061B722101	148	084Z4037	111
060L320666	163	061B7000	96	061B800266	163	084Z4038	111
060L325466	157	061B7000	99	061B800366	163	084Z4039	111
060L325466	163	061B7000	150	061B800466	163	084Z5025	121
060L326266	157	061B7001	96	061B800566	163	084Z5026	121
060L326266	163	061B7001	99	061B810166	163	084Z5034	121
060L326366	157	061B7001	150	061B810266	163	084Z5052	119
060L326366	163	061B7002	96	061B810366	163	084Z5160	121
060L326666	157	061B7002	99	061B810466	163	084Z5248	119
060L326666	163	061B7002	150	061B810566	163	084Z5276	119
060L326766	157	061B7003	96	064G6501	90	084Z5277	119
060L326766	163	061B7003	99	064G6502	90	084Z6030	113
060L326866	157	061B7003	150	064G6504	90	084Z6032	113

Code number	page	Code number	page
084Z6033.....	113	084Z8230.....	117
084Z6034.....	113	084Z8231.....	117
084Z6035.....	113	084Z8232.....	117
084Z6036.....	113	084Z8233.....	117
084Z6037.....	113	084Z8234.....	117
084Z6038.....	113	084Z8235.....	117
084Z6039.....	113	084Z8236.....	117
084Z6042.....	113	084Z8237.....	117
084Z6050.....	113		
084Z6051.....	113		
084Z6053.....	113		
084Z6054.....	113		
084Z6055.....	108		
084Z6056.....	108		
084Z6139.....	117		
084Z6140.....	117		
084Z6141.....	117		
084Z6142.....	117		
084Z6143.....	117		
084Z6144.....	117		
084Z6145.....	117		
084Z6164.....	117		
084Z6215.....	113		
084Z6216.....	113		
084Z7258.....	111		
084Z7259.....	111		
084Z7260.....	111		
084Z7261.....	111		
084Z7262.....	111		
084Z8006.....	115		
084Z8008.....	115		
084Z8010.....	115		
084Z8011.....	115		
084Z8012.....	115		
084Z8013.....	115		
084Z8014.....	115		
084Z8022.....	115		
084Z8036.....	115		
084Z8037.....	115		
084Z8039.....	115		
084Z8041.....	115		
084Z8043.....	115		
084Z8044.....	115		
084Z8058.....	115		
084Z8150.....	121		
084Z8154.....	121		
084Z8155.....	121		
084Z8156.....	121		
084Z8180.....	108		
084Z8181.....	108		
084Z8182.....	108		
084Z8183.....	108		
084Z8210.....	117		
084Z8211.....	117		
084Z8212.....	117		
084Z8213.....	117		
084Z8214.....	117		
084Z8215.....	117		
084Z8216.....	117		
084Z8217.....	117		
084Z8218.....	115		



Here **today.** Here **tomorrow.**

Danfoss is a leading global player within the development and production of mechanical and electronic products and controls. Since 1933, our extensive know-how has made modern life easier and we continue to break new ground within our core business areas.

Every day, more than 250,000 items are produced at 70 factories in 25 countries. Impressive as these figures are, we are most proud of the way our dedicated employees apply the high-quality components in customer solutions, adding value to the end products. Building strong partnerships is of great importance to us, because it is purely by understanding our customers' needs that we can meet the expectations of tomorrow.

This is also true in Industrial Automation, a Danfoss entity dedicated to focusing on the industrial world of today. Through us, you gain access to the entire Danfoss pool of technologies, with special emphasis on sensors and controls. We offer safer, more reliable and more efficient solutions in a close cooperation based on firm values.

Danfoss A/S, Industrial Automation, DK-6430 Nordborg, Denmark, ia@danfoss.com, www.danfoss.com/ia

Danfoss can accept no responsibility for possible errors in catalogues, brochures and other printed material. Danfoss reserves the right to alter its products without notice. This also applies to products already on order provided that such alterations can be made without subsequential changes being necessary in specifications already agreed. All trademarks in this material are property of the respective companies. Danfoss and the Danfoss logotype are trademarks of Danfoss A/S. All rights reserved.